



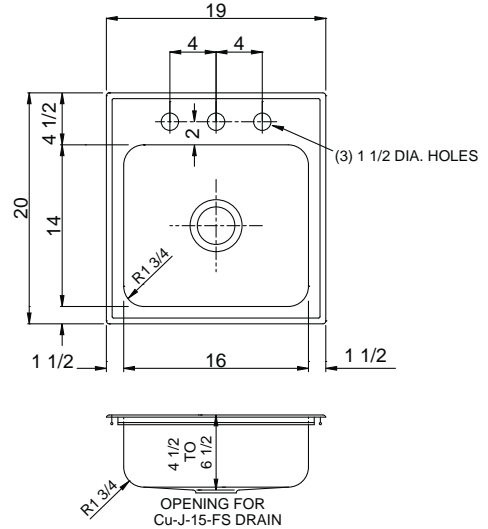
ADA
COMPLIANT

Cu-SBL-ADA-2019-A-GR

HEALTHCARE PRODUCT

Made with

CuVerro® Antimicrobial Copper-Nickel Alloy



SPECIFICATIONS

- Sink touch surfaces - CuVerro® antimicrobial copper material - continuously reduces bacterial* contamination, achieving 99.9% reduction within 2 hours of exposure.
- CuVerro® antimicrobial copper-nickel alloy.
- Seamless construction 18 ga.
- Self-rimming with Grip-Rim PLUS® clips
- Interior and top surfaces polished to a non-porous Hand-Blended Just Finish.
- Fully coated underside insulates for sound, and reduces condensation.
- Drain punched for Just Cu-J-15-FS drain.

CUTOUT DIMENSIONS		
Model Number	Front-to-Back	Left-to-Right
Cu-SBL-ADA-2019-A-GR	19-1/4	18-1/4

To Be Specified:				
■ Faucet Hole Punching:				
<input type="checkbox"/>	(1) Hole Centered			
<input type="checkbox"/>	(2) Holes on 4" centers			
<input type="checkbox"/>	(3) Holes on 4" centers (illustrated)			
<input type="checkbox"/>	Alternate Punching: Faucet Model: _____	Punching required: _____		
DEPTH - MUST BE SPECIFIED:				
<input type="checkbox"/>	4-1/2" DEEP	<input type="checkbox"/>	5" DEEP	<input type="checkbox"/>
		<input type="checkbox"/>	5-1/2" DEEP	<input type="checkbox"/>
			<input type="checkbox"/>	6" DEEP
				<input type="checkbox"/>
				6-1/2" DEEP
DRAIN LOCATION - MUST BE SPECIFIED:				
<input type="checkbox"/> CENTER - (SHOWN)		<input type="checkbox"/> CENTER REAR		

6.07 Gallon Capacity* **Capacity Matters**
 Max ID sizing with straight sided bowl configuration (non tapered sides). Tight corner radius design.
*Capacity is based on 6-1/2" Depths



APPROVED FOR MANUFACTURING

MODEL NO.: **Cu-SBL-ADA-2019-A-GR** QTY: _____

JOB NAME: _____

TAG/ITEM: _____

CUSTOMER: _____

SIGNATURE: _____

Laboratory testing has shown that when cleaned regularly CuVerro® copper surfaces: kill more than 99.9% of bacteria within 2 hours, and continue to kill 99% of bacteria even after repeated contamination. Testing demonstrates effective antibacterial activity against MRSA, Staphylococcus aureus, Enterobacter aerogenes, Pseudomonas aeruginosa, and E. coli O157:H7.

CuVerro®, copper alloy surfaces have been shown to reduce microbial contamination, but does not necessarily prevent cross-contamination. The use of a copper alloy surface is a supplement to and not a substitute for standard infection control practices; users must follow all current infection control practices, including those practices related to cleaning and disinfection of environmental surfaces.

Copper alloy surfaces are for use only in non-food zone areas. CuVerro® is a registered trademark of GBC Metals LLC, d/b/a Olin Brass. CuVerro® antimicrobial alloys are registered with the U.S. Environmental Protection Agency as antimicrobial under product registration #85353-5. Document approval #J-0001-1201.

JUST MFG. COMPANY CONTINUES TO MAKE QUALITY AND FUNCTIONALITY A MARK OF THE JUST PRODUCT LINE. TO DO SO REQUIRES THAT WE RESERVE THE RIGHT TO CHANGE PRODUCT INFORMATION WITHOUT NOTICE. DIMENSIONS MAY VARY AND ARE SUBJECT TO CHANGE WITHOUT NOTICE. NO RESPONSIBILITY IS ASSUMED FOR USE OF SUPERCEDED OR VOIDED DATA. FOR THE MOST CURRENT AND ACCURATE INFORMATION REGARDING THE COMPLETE LINE OF JUST SINKS, FAUCETS AND DRAINS, CLICK ON THE SPEC LINE DRAWINGS LINK ON OUR WEB SITE AT www.justmfg.com