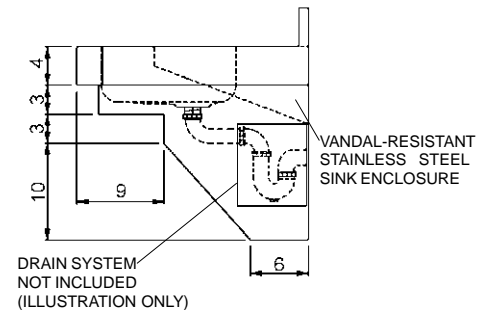
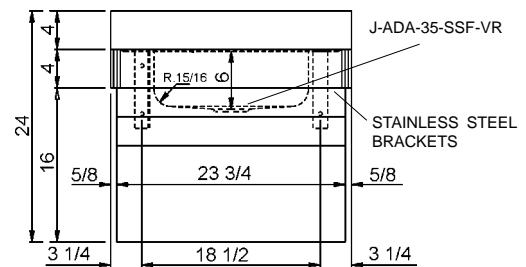
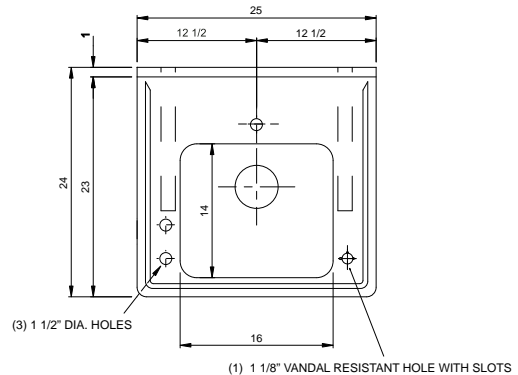




CWH-2524

INSTITUTIONAL GROUP CLASSROOM WALL-HUNG SINK/DRINKING FOUNTAIN

SUBMITTAL DATA



SPECIFICATIONS

Top and integral apron constructed of 16 gauge type 304 stainless steel. Bowl of seamless drawn construction of 18 gauge stainless steel. Enclosure of 16 gauge type 304 stainless steel. Unit shall have marine edge on three sides. Enclosure shall be secured to apron using vandal resistant screws. Exposed exterior surfaces shall have a Hand-Blended Just Finish. Underside of bowl and top shall be sound deadened.

Faucet shall be JUST J-1176-KS-M-VR with 5-1/2" reach, chrome plated gooseneck swivel spout, with vandal resistant aerator and handles.

Bubbler shall be lead free JUST JSB-10-VR type 304 stainless steel, vandal resistant angle stream bubbler. The unit shall have a replaceable self-closing cartridge. Activation shall require less than 5lb. force, as required by ADA and CABO/ANSI A117.1-1992 specifications.

Drain fittings shall be JUST J-ADA-35-SSF-VR stainless steel body, stainless steel flat grid strainer and 1-1/2" O.D. chrome plated waste arm 12" long.

FITTINGS INCLUDED

FAUCET:

- J-1176-KS-M-VR concealed offset faucet with 5-1/2" reach, chrome plated gooseneck swivel spout with, vandal-resistant body, aerator and 4" wrist blade handles.

BUBBLER:

- JSB-10-VR **LEAD-FREE**, Vandal-resistant, ADA compliant, type 304 cast stainless steel bubbler.

DRAIN:

- J-ADA-35-SSF-VR vandal resistant stainless steel flat grid strainer and body.

ENCLOSURE:

- Vandal-resistant stainless steel sink enclosure.

ALTERNATE FAUCET:

- JVR-1 vandal resistant single tap classroom faucet. Vandal-resistant handle and aerator.



APPROVED FOR MANUFACTURING

MODEL NO.: **CWH-2524** QTY: _____

JOB NAME: _____

TAG/ITEM: _____

CUSTOMER: _____

SIGNATURE: _____

JUST MFG. COMPANY CONTINUES TO MAKE QUALITY AND FUNCTIONALITY A MARK OF THE JUST PRODUCT LINE. WE RESERVE THE RIGHT TO CHANGE PRODUCT INFORMATION WITHOUT NOTICE. DIMENSIONS MAY CHANGE AND MAY BE SUBJECT TO CHANGE WITHOUT NOTICE. NO RESPONSIBILITY IS ASSUMED FOR USE OF SUPERCEDED OR VOIDED DATA. JUST MFG. CO. SINKS ARE MADE IN THE U.S.A. WHEN COMPARING OTHER BRAND PRODUCTS, BE SURE TO COMPARE USA QUALITY ALONG WITH FEATURES AND DIMENSIONS.

JUST MANUFACTURING COMPANY

9233 KING STREET FRANKLIN PARK ILLINOIS 60131-2111

PH: 847-678-5150 . FAX: 847-678-6817 . E-MAIL: custserv@justmfg.com . www.justmfg.com



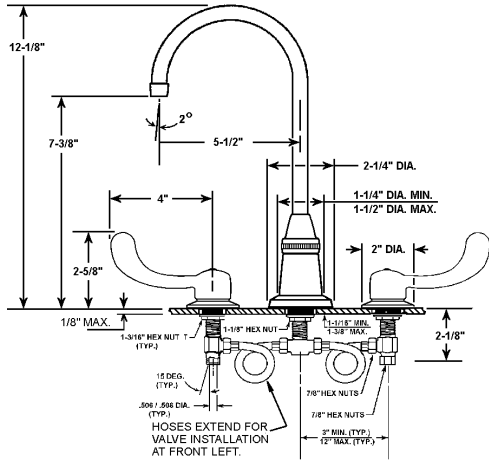
SUBMITTAL DATA

CWH-2524

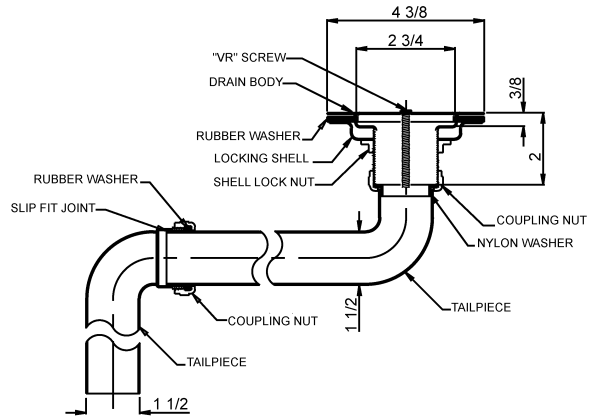
INSTITUTIONAL GROUP CLASSROOM SINK and DRINKING FOUNTAIN WALL-HUNG



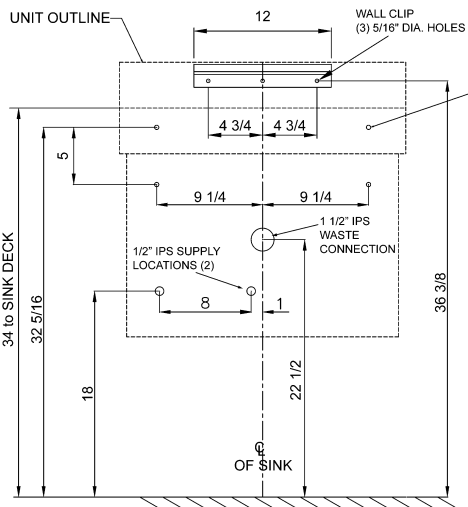
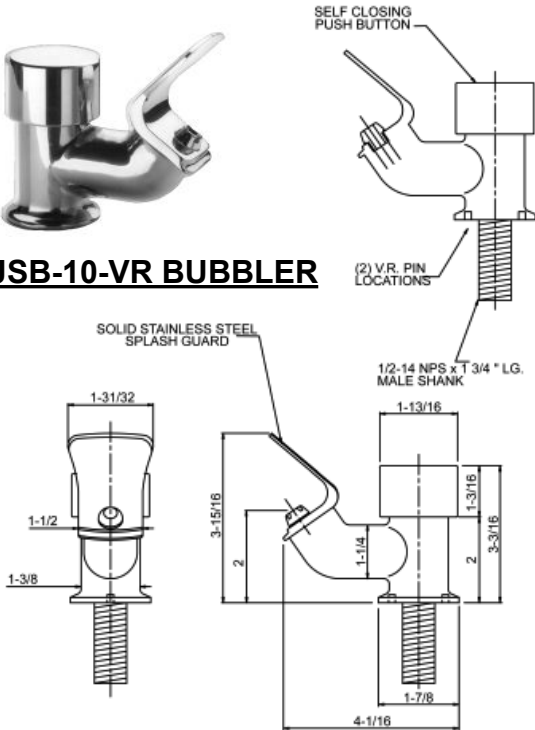
J-1176-KS-M-VR Faucet



J-ADA-35-SSF-VR Drain



JSB-10-VR BUBBLER



**CWH-2524
ROUGH-IN DATA**

JUST MANUFACTURING COMPANY

9233 KING STREET . FRANKLIN PARK . ILLINOIS . 60131-2111

PH: 847-678-5150 . FAX: 847-678-6817 . E-MAIL: custserv@justmfg.com . www.justmfg.com