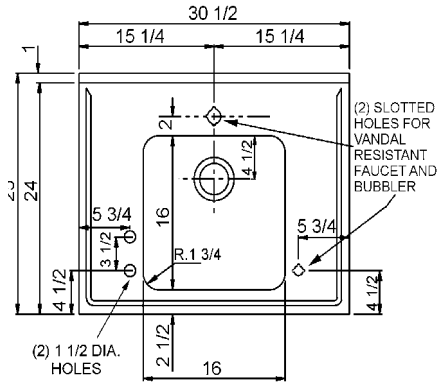




# INSTITUTIONAL GROUP



**ADA COMPLIANT**



## CSWH - 3025 CLASSROOM WALL-HUNG SINK/DRINKING FOUNTAIN

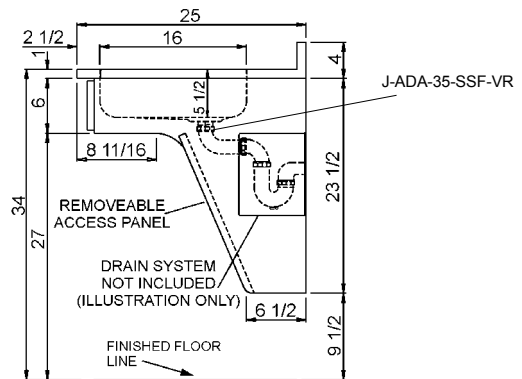
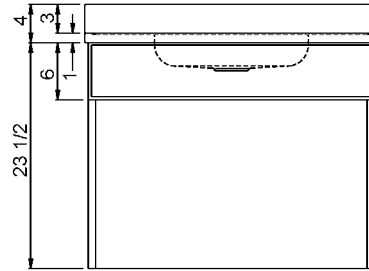


CSWH-3025 - Top constructed of 16 gauge type 304 stainless steel. Bowl of 18 gauge stainless steel seamless drawn construction. Top shall have marine edge on three sides. Exposed exterior surfaces shall have a Hand-Blended Just Finish. Underside of bowl and top shall be sound deadened. Enclosure of flat black casework laminate construction. ADA Compliant.

Faucet shall be JUST J-1176-KS-M-VR with 5-1/2" reach, chrome plated gooseneck swivel spout, with vandal resistant aerator and handles.

Bubbler shall be lead free JUST JSB-10-VR type 304 stainless steel, vandal resistant angle stream bubbler. The unit shall have a replaceable self-closing cartridge. Activation shall require less than 5lb. force, as required by ADA and CABO/ANSI A117.1-1992 specifications.

Drain fittings shall be JUST J-ADA-35-SSF-VR stainless steel body, stainless steel flat grid strainer and 1-1/2" O.D. chrome plated waste arm 12" long.



### FITTINGS INCLUDED

#### FAUCET:

- J-1176-KS-M-VR with 5-1/2" reach, chrome plated gooseneck swing spout, with vandal resistant aerator and handles.

#### BUBBLER:

- JSB-10-VR **LEAD-FREE**, Vandal-resistant, ADA compliant, type 304 cast stainless steel bubbler.

#### DRAIN:

- J-ADA-35-SSF-VR vandal resistant stainless steel flat grid strainer and body.

#### ENCLOSURE:

- Enclosure of flat black casework laminate construction.

#### ALTERNATE FAUCET:

- JVR-1 vandal resistant single tap classroom faucet. Vandal-resistant handle and aerator.

FUNCTIONAL DESIGN, QUALITY, AND SPECIFICATIONS LISTED DESCRIBE THE JUST STANDARD OF QUALITY. WHEN MAKING COMPARISONS WITH OTHER OFFERINGS, INSIST ON THE JUST QUALITY OF CONSTRUCTION. FOR ADDITIONAL INFORMATION REGARDING THE COMPLETE LINE OF JUST SINKS, FAUCETS AND DRAINS, VISIT OUR WEB SITE AT [www.justmfg.com](http://www.justmfg.com)

### JUST MANUFACTURING COMPANY

9233 KING STREET, FRANKLIN PARK, ILLINOIS 60131-2111

PH: 847-678-5150 . FAX: 847-678-6817

E-MAIL: [custserv@justmfg.com](mailto:custserv@justmfg.com) . [www.justmfg.com](http://www.justmfg.com)

Job Name \_\_\_\_\_  
Customer \_\_\_\_\_  
Architect/Engineer \_\_\_\_\_

APPROVED FOR MANUFACTURING

MODEL NO. \_\_\_\_\_ QTY. \_\_\_\_\_

COMPANY \_\_\_\_\_

TITLE \_\_\_\_\_ DATE \_\_\_\_\_

SIGNATURE \_\_\_\_\_

SUBMITTAL DATA

REVISED-5/2003