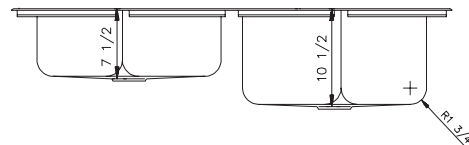
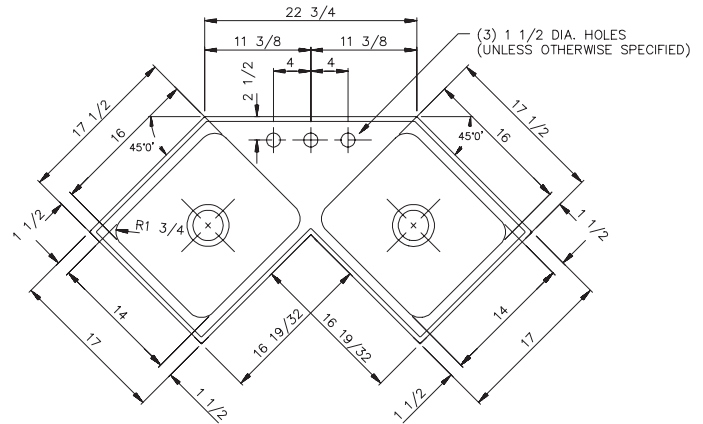
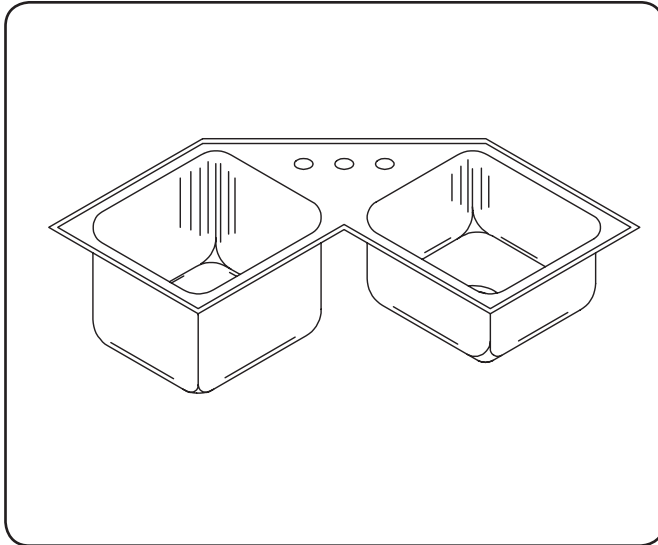




CSLTC-1416-A-GR-R - 18 GA.

FUNCTIONAL GROUP CORNER SINK

SUBMITTAL DATA



SPECIFICATION

Seamless die-drawn construction of type 304, 18-8 stainless steel. Interior and top surfaces polished to a non-porous Hand-Blended Just Finish with highlighted bowl rim. Fully coated underside insulates for sound, and reduces condensation. Straight-sided compartment with $1 \frac{3}{4}$ " radius corners provides greater capacity. Self-rimming top mount Grip-Rim Plus with 300 series stainless steel mounting channels. Drain punch #35 centered for Just J-35.

CSLTC-1416-A-GR-R	CUTOUT DIMENSIONS
	PLACE UNIT UPSIDE DOWN ON SURFACE. TRACE OUTLINE OF FLANGES, CUT 3/8" INSIDE TRACING LINE

Job Name _____

Customer _____

Architect/Engineer _____

APPROVED FOR MANUFACTURING

MODEL NO. CSLTC-1416-A-GR-R QTY. _____

COMPANY _____

TITLE _____ DATE _____

SIGNATURE _____

To Be Specified:

■ **Faucet Hole Punching:**

<input type="checkbox"/> (1) Hole Centered (center bowl)	
<input type="checkbox"/> (2) Holes on 4" centers	
<input type="checkbox"/> (2) Holes on 8" centers	
<input type="checkbox"/> (3) Holes on 4" centers (illustrated)	
<input type="checkbox"/> (4) Holes on 4" centers	
<input type="checkbox"/> Alternate Punching: Faucet Model: _____	Punching required: _____



JUST MFG. COMPANY CONTINUES TO MAKE QUALITY AND FUNCTIONALITY A MARK OF THE JUST PRODUCT LINE. TO DO SO REQUIRES THAT WE RESERVE THE RIGHT TO CHANGE PRODUCT INFORMATION WITHOUT NOTICE. DIMENSIONS MAY VARY AND ARE SUBJECT TO CHANGE WITHOUT NOTICE. NO RESPONSIBILITY IS ASSUMED FOR USE OF SUPERCEDED OR VOIDED DATA. FOR THE MOST CURRENT AND ACCURATE INFORMATION REGARDING THE COMPLETE LINE OF JUST SINKS, FAUCETS AND DRAINS, CLICK ON THE **SPEC LINE DRAWINGS** LINK ON OUR WEB SITE AT www.justmfg.com