



**ACADEMIC GROUP**



**ADA COMPLIANT**

**SPECIFICATION**

Seamless die-drawn construction of Type-304, 18-8 stainless steel. Interior and top surfaces polished to a non-porous Hand-Blended Just Finish with highlighted bowl rim. Fully coated underside insulated for sound and reduces condensation. Stright-sided compartment with radius corners provides greater capacity. Self-rimming top mount Grip-Rim Plus with stainless steel mounting channels. Conforms to ASME/ANSI A112.19.3M. Certified conformance with ASME A112.19.3/CSA B45.4, Canadian Standards (CSA), Uniform Plumbing Code (UPC) and International Plumbing Code (IPC) and Americans with Disabilities Act (ADA)

**INCLUDES FITTINGS :**

- Faucets:
  - JOL-400-M concealed offset faucet with 4" wrist blade remote handles.
- Bubbler:
  - JSB-10-VR LEAD FREE cast stainless steel bubbler.
- Drains:
  - J-ADA-35 drain system.

□ Alternate Punching:  
Faucet Model: \_\_\_\_\_

Punching required: \_\_\_\_\_

**DRAIN LOCATION MUST BE SPECIFIED(Circle one):**

- CENTER
- LEFT REAR
- RIGHT REAR
- CENTER REAR (SHOWN)

**LOCATIONS MUST BE A MINIMUM OF 4 1/2" FROM THE BOWL WALL.**

CRD-ADA-2228-A-GR-T	<b>A</b>	CUTOUT DIMENSIONS*
	4-1/2 to 6-1/2	21-1/4 x 27-1/4

\* Cutout dimensions shown (Front-to-Back) x (Left-to-Right) - Corners of cutout may be square or up to 1/2" radius.

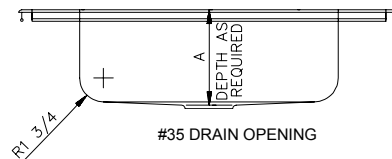
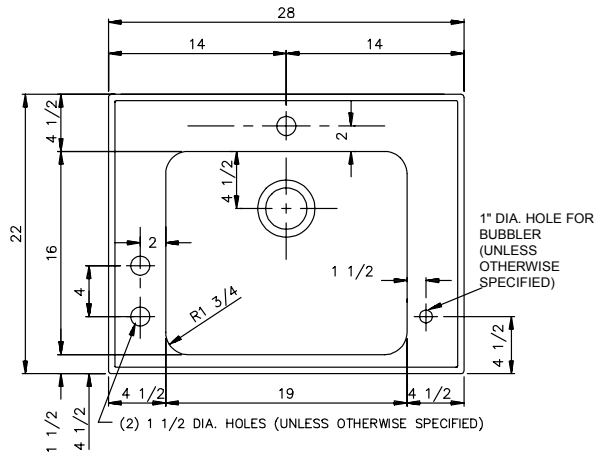
Job Name \_\_\_\_\_

Customer \_\_\_\_\_

Architect/Engineer \_\_\_\_\_

**CRD-ADA-2228-A-GR-T - 18 GA.**

**A.D.A. COMPLIANT - CLASSROOM SINKS**



FUNCTIONAL DESIGN, QUALITY, AND SPECIFICATIONS LISTED DESCRIBE THE JUST STANDARD OF QUALITY. WHEN MAKING COMPARISONS WITH OTHER OFFERINGS, INSIST ON THE JUST QUALITY OF CONSTRUCTION. FOR ADDITIONAL INFORMATION REGARDING THE COMPLETE LINE OF **JUST** SINKS, FAUCETS AND DRAINS, VISIT OUR WEB SITE AT [www.justmfg.com](http://www.justmfg.com)

APPROVED FOR MANUFACTURING

MODEL NO. \_\_\_\_\_ QTY. \_\_\_\_\_

COMPANY \_\_\_\_\_

TITLE \_\_\_\_\_ DATE \_\_\_\_\_

SIGNATURE \_\_\_\_\_

**SUBMITTAL**

**DATA**

REVISED-5/2004