

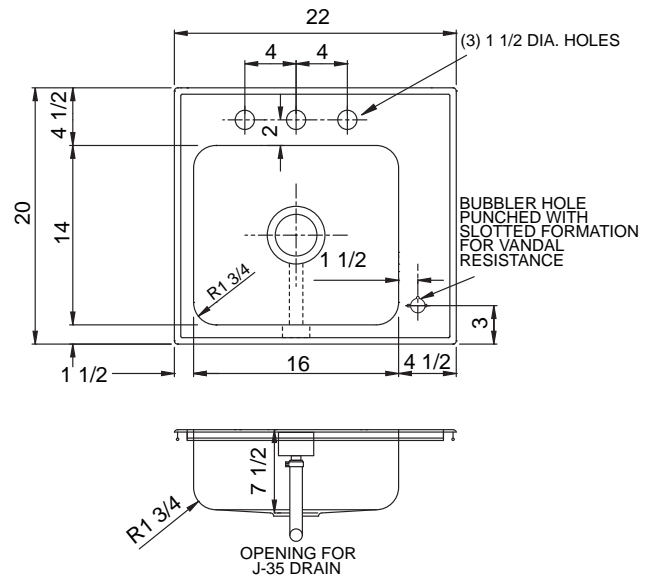


CRBF-2022-A-GR-VR

STYLIST GROUP

CLASSROOM SINK w/ INTEGRA-FLOW FAUCET LEDGE - REAR / BUBBLER LEDGE- RIGHT

SUBMITTAL DATA



SPECIFICATION

Seamless die-drawn construction of 18 gauge, type 304, 18-8 stainless steel. Interior and top surfaces polished to a non-porous Hand-Blended Just Finish with highlighted bowl rim. Fully coated underside insulates for sound, and reduces condensation. Straight-sided compartment with 1 3/4" radius corners provides greater capacity. Includes Integra-Flow overflow system. Self-rimming top mount Grip-Rim Plus with stainless steel mounting channels. Conforms to ASME/ANSI A112.19.3M. Drain punch #35 centered for Just J-35 unless otherwise specified.

TYPE 316 STAINLESS STEEL (check if applicable)

Includes:

JWF-200-R70-VR vandal resistant concealed faucet. Restricted 70° swing hi-rise spout 11-5/8" high, 8-3/4" reach. Cast body, polished PVD chrome finish. 2.2 GPM flow restricting vandal resistant aerator.

JSB-10-FLX-VR self-closing vandal resistant bubbler. Type 304 stainless steel with flexible, anti-microbial mouthguard. Replaceable stainless steel cartridge.

J-35-SSF-VR vandal resistant stainless steel flat grid strainer with 4" long tailpiece.

5.53
Gallon
Capacity

Capacity Matters

Max ID sizing with straight sided bowl configuration (non tapered sides). Tight corner radius design.

CUTOUT DIMENSIONS		
Model Number	Front-to-Back	Left-to-Right
CRBF-2022-A-GR	19-1/4	21-1/4

To Be Specified:	
<input checked="" type="checkbox"/> Faucet Hole Punching: <input type="checkbox"/> (1) Hole Centered <input type="checkbox"/> (2) Holes on 4" centers <input type="checkbox"/> (3) Holes on 4" centers (illustrated) <input type="checkbox"/> Alternate Punching: Faucet Model: _____	<input checked="" type="checkbox"/> Bubbler Punching: <input type="checkbox"/> (1) Hole - Right front (illustrated) Punching required: _____

OVERFLOW LOCATION MUST BE SPECIFIED:			
<input type="checkbox"/> FRONT (SHOWN)	<input type="checkbox"/> REAR	<input type="checkbox"/> LEFT	<input type="checkbox"/> RIGHT

APPROVED FOR MANUFACTURING

MODEL NO.: _____ QTY: _____

JOB NAME: _____

TAG/ITEM: _____

CUSTOMER: _____

SIGNATURE: _____



JUST MFG. COMPANY CONTINUES TO MAKE QUALITY AND FUNCTIONALITY A MARK OF THE JUST PRODUCT LINE. TO DO SO REQUIRES THAT WE RESERVE THE RIGHT TO CHANGE PRODUCT INFORMATION WITHOUT NOTICE. DIMENSIONS MAY VARY AND ARE SUBJECT TO CHANGE WITHOUT NOTICE. NO RESPONSIBILITY IS ASSUMED FOR USE OF SUPERCEDED OR VOIDED DATA. FOR THE MOST CURRENT AND ACCURATE INFORMATION REGARDING THE COMPLETE LINE OF JUST SINKS, FAUCETS AND DRAINS, CLICK ON THE **SPEC LINE DRAWINGS** LINK ON OUR WEB SITE AT www.justmfg.com

JUST MANUFACTURING COMPANY	9233 KING STREET . FRANKLIN PARK . ILLINOIS . 60131-2111
PH: 847-678-5150 . FAX: 847-678-6817 .	E-MAIL: custserv@justmfg.com . www.justmfg.com