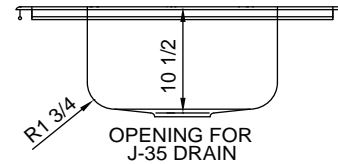
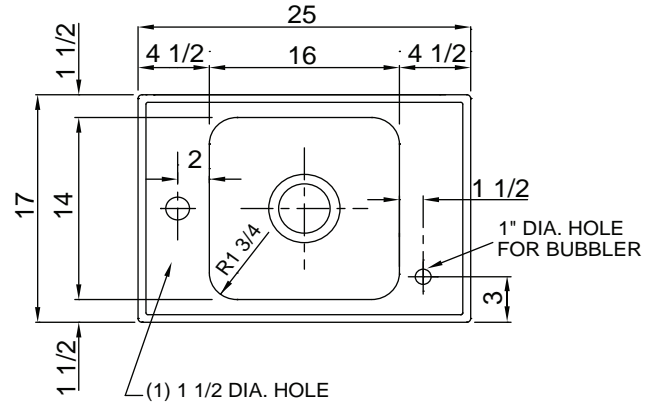




CRAX-1725-16-GR

ARMOR GROUP CLASSROOM SINK-16 GAUGE FAUCET LEDGE - LEFT / BUBBLER LEDGE- RIGHT



SPECIFICATION

16 Gauge Type-304, 18-8 stainless steel. Seamless die-drawn construction. Interior and top surfaces polished to a non-porous Hand-Blended Just Finish with highlighted bowl rim. Fully coated underside insulated for sound and reduces condensation. Stright-sided compartment with 1-3/4" radius corners provides greater capacity. Self-rimming top mount Grip-Rim Plus with stainless steel mounting channels. Conforms to ASME/ANSI A112.19.3M. Certified conformance with ASME A112.19.3/CSA B45.4, Canadian Stanards (CSA),Uniform Plumbing Code (UPC) and International Plumbing Code(IPC) and Americans with Disabilities Act (ADA).

TYPE 316 STAINLESS STEEL(check if applicable)

CUTOUT DIMENSIONS		
Model Number	Front-to-Back	Left-to-Right
CRAX-1725-16-GR	16-1/4	24-1/4

9.90
Gallon
Capacity

Capacity Matters

Max ID sizing with straight sided bowl configuration (non tapered sides). Tight corner radius design.

FAUCET PUNCHING - MUST BE SPECIFIED			
<input type="checkbox"/>	(1) Hole Centered (illustrated)	<input type="checkbox"/>	(1) Hole - Right front (illustrated)
<input type="checkbox"/>	(2) Holes on 4" centers		
<input type="checkbox"/>	(3) Holes on 4 "centers		
<input type="checkbox"/>	Alternate Punching: Faucet Model:	Punching Required:	

APPROVED FOR MANUFACTURING

MODEL NO.: _____ QTY: _____

JOB NAME: _____

TAG/ITEM: _____

CUSTOMER: _____

SIGNATURE: _____



JUST MFG. COMPANY CONTINUES TO MAKE QUALITY AND FUNCTIONALITY A MARK OF THE JUST PRODUCT LINE. TO DO SO REQUIRES THAT WE RESERVE THE RIGHT TO CHANGE PRODUCT INFORMATION WITHOUT NOTICE. DIMENSIONS MAY VARY AND ARE SUBJET TO CHANGE WITHOUT NOTICE. NO RESPONSIBILITY IS ASSUMED FOR USE OF SUPERCEDED OR VOIDED DATA. FOR THE MOST CURRENT AND ACCURATE INFORMATION REGARDING THE COMPLETE LINE OF JUST SINKS, FAUCETS AND DRAINS, CLICK ON THE **SPEC LINE DRAWINGS** LINK ON OUR WEB SITE AT www.justmfg.com

JUST MANUFACTURING COMPANY

9233 KING STREET . FRANKLIN PARK . ILLINOIS . 60131-2111

PH: 847-678-5150 . FAX: 847-678-6817 . E-MAIL: custserv@justmfg.com . www.justmfg.com