

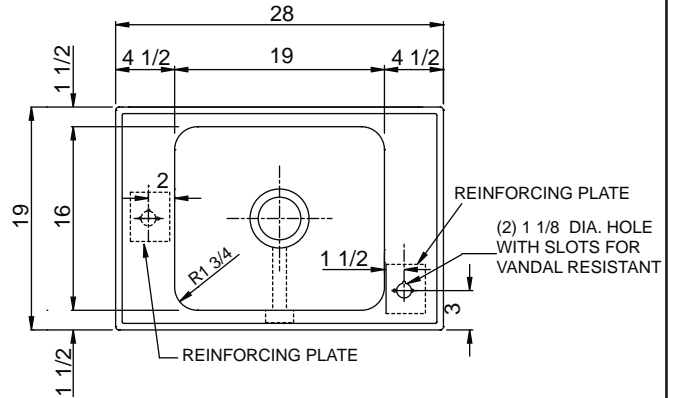


CRAF-ADA-1928-A-GR-VRL-CT



ACADEMIC GROUP CLASSROOM SINK PACKAGE with INTEGRA-FLOW SYSTEM

SUBMITTAL DATA



6.25 Gallon Capacity*
***CAPACITY MATTERS**
 Max. I.D. sizing with straight-sided, non-tapered bowl configuration. Tight corner radius design. Capacity based on 6-1/2" depth.

SPECIFICATION

Seamless die-drawn construction of 18 gauge type 304 stainless steel. Interior and top surfaces polished to a non-porous Hand Blended Just Finish. Fully coated under-side insulates for sound and reduces condensation. Straight sided compartment with 1-3/4" radius corners provides greater capacity. Self-rimming top mount with Grip-Rim Plus with stainless steel mounting channels. Integra-Flow overflow system. Drain punched for Just **J-35-SSF** drain. Packaged complete with vandal resistant fittings including **JSFVR-5** faucet, **JSB-10-VR** series bubbler, **J-ADA-35-SSF-VR** drain system, **JT-150** cast brass P-trap. Sink Certified to ASME/CSA A112.19.3/B45.4;UPC; IPC.



Sink certified to ASME A112.19.3/CSA B45.4; Uniform Plumbing Code (UPC); International Plumbing Code (IPC), by NSF International. Certified with/without overflow, less fittings.

Sink certified compliant with 2010 ADA Standards for Accessible Design and ICC/ANSI A117.1 by NSF International.

UNIQUE PRODUCT FEATURES



INTEGRA-Flow System

The overflow is integral to the sink wall reducing additional parts subject to vandalism.

Reinforced Ledges

16 Ga. stainless steel reinforcing brackets welded below faucet and bubbler. Brackets provide additional protection against vandalism.



APPROVED FOR MANUFACTURING

MODEL NO.: **CRAF-ADA-1928-A-GR-VRL-CT** QTY: _____

JOB NAME: _____

TAG/ITEM: _____

CUSTOMER: _____

SIGNATURE: _____



JUST MFG. COMPANY CONTINUES TO MAKE QUALITY AND FUNCTIONALITY A MARK OF THE JUST PRODUCT LINE. WE RESERVE THE RIGHT TO CHANGE PRODUCT INFORMATION WITHOUT NOTICE. DIMENSIONS MAY CHANGE AND MAY BE SUBJECT TO CHANGE WITHOUT NOTICE. NO RESPONSIBILITY IS ASSUMED FOR USE OF SUPERCEDED OR VOIDED DATA. JUST MFG. CO. SINKS ARE MADE IN THE U.S.A. WHEN COMPARING OTHER BRAND PRODUCTS, BE SURE TO COMPARE USA QUALITY ALONG WITH FEATURES AND DIMENSIONS.

JUST MANUFACTURING COMPANY

9233 KING STREET FRANKLIN PARK ILLINOIS 60131-2111

PH: 847-678-5150 . FAX: 847-678-6817 . E-MAIL: custserv@justmfg.com . www.justmfg.com



**ADA COMPLIANT FITTINGS INCLUDED
in CLASSROOM SINK PACKAGES**

SUBMITTAL DATA



☐ JSFVR-5 Faucet 

Vandal resistant deck mounted single handle, ADA Compliant faucet. Features include include all stainless steel body, adjustable rigid spout, handle and supply pipe. with ceramic disc cartridge. Polished stainless steel mirror finish. Aerator, vandal resistant and is integral to spout. Deck to top of spout 14". Deck to aerator 9-3/4"

☐ JSB-10-VR-FLX BUBBLER - Flexible Mouth Guard 

Flexible antimicrobial mouth-guard. Vandal resistant, self-closing push-button bubbler. Cast Type 304 stainless steel body and push button. Stainless steel replaceable regulator cartridge. Conforms to ASME A112.18.1. Certified to NSF 61 and NSF 372.



☐ J-ADA-35-SSF-VR Drain System 

Vandal resistant flat grid strainer. Heavy duty 17 gauge chrome plated brass offset tailpiece. Insulator kit - Available- J-ADA-150 - specify when ordering.

☐ JT-150 P-Trap

Cast brass J-Bend with heavy duty 17 gauge, 1-1/2" x 1-1/2" chrome plated brass pipe. Includes wal flange.



JUST MANUFACTURING COMPANY

9233 KING STREET . FRANKLIN PARK . ILLINOIS . 60131-2111

PH: 847-678-5150 . FAX: 847-678-6817 . E-MAIL: custserv@justmfg.com . www.justmfg.com