



CRAF-ADA-1923-A-GR-VRL-CT

CRAF-ADA -Series Sink with *INTEGRA-Flow* System

SUBMITTAL DATA



CRAF-1923-A-GR-VRL-CT



ADA Compliant

SPECIFICATION

Seamless die-drawn construction of type 304, 18-8 stainless steel. Interior and top surfaces polished to a non-porous Hand-blended Just Finish with highlighted bowl rim. Fully coated underside insulates for sound, and reduces condensation. Straight-sided compartment with 1 3/4" radius corners provides greater capacity. Self-rimming top mount Grip-Rim Plus with 300 series stainless steel mounting channels. Drain punch #35 for Just J-35 unless otherwise specified. Package complete with vandal resistant fittings including **JSFVR-5** faucet, **JSB-10-VR** series bubbler, **J-ADA-35-SSF-VR** drain system, **JT-150** cast brass P-Trap, and stop/supply kits.

UNIQUE PRODUCT FEATURES

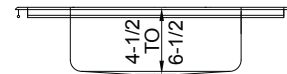
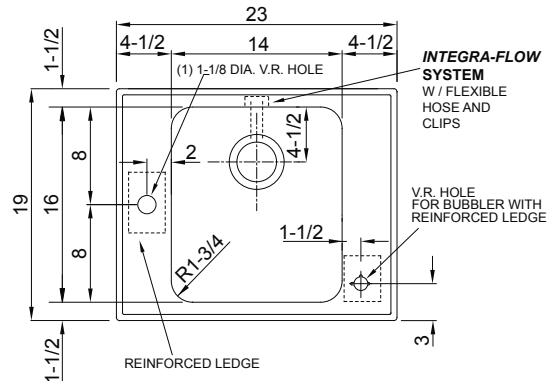
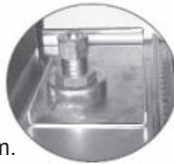


INTEGRA-Flow System

The overflow is integral to the sink wall reducing additional parts subject to vandalism.

Reinforced Ledges

16 Ga. stainless steel reinforcing brackets welded below faucet and bubbler. Brackets provide additional protection against vandalism.



OPENING FOR J-ADA-35-SSF-VR DRAIN

4.57 Gallon Capacity* **Capacity Matters**
 Max ID sizing with straight sided bowl configuration (non tapered sides). Tight corner radius design.

*Capacity is based on 6-1/2" Depths



JUST MFG. COMPANY CONTINUES TO MAKE QUALITY AND FUNCTIONALITY A MARK OF THE JUST PRODUCT LINE. TO DO SO REQUIRES THAT WE RESERVE THE RIGHT TO CHANGE PRODUCT INFORMATION WITHOUT NOTICE. DIMENSIONS MAY VARY AND ARE SUBJECT TO CHANGE WITHOUT NOTICE. NO RESPONSIBILITY IS ASSUMED FOR USE OF SUPERCEDED OR VOIDED DATA. FOR THE MOST CURRENT AND ACCURATE INFORMATION REGARDING THE COMPLETE LINE OF JUST SINKS, FAUCETS AND DRAINS, CLICK ON THE **SPEC LINE DRAWINGS** LINK ON OUR WEB SITE AT www.justmfg.com

Job Name _____

Customer _____

Architect/Engineer _____

APPROVED FOR MANUFACTURING

MODEL NO. _____ QTY. _____

COMPANY _____

TITLE _____ DATE _____

SIGNATURE _____

JUST MANUFACTURING COMPANY 9233 KING STREET . FRANKLIN PARK . ILLINOIS . 60131-2111

PH: 847-678-5150 FAX: 847-678-6817 E-MAIL: custserv@justmfg.com www.justmfg.com

ADA COMPLIANT FITTINGS INCLUDED in CLASSROOM SINK PACKAGES



JSFVR-5 Faucet

Vandal resistant deck mounted single handle ADA Compliant faucet. Features include **all stainless steel body, adjustable rigid spout, handle and supply pipe** with ceramic disc cartridge. Polished stainless steel mirror finish. Aerator integral to spout and vandal resistant. Deck to top of spout 14". Deck to top aerator 9-3/4".



BUBBLERS - Specify Type

JSB-10-VR-FLX BUBBLER - Flexible Mouth Guard

Flexible **ANTIMICROBIAL** mouth-guard. Vandal resistant, self-closing push button bubbler. Cast Type 304 stainless steel body and push button. Stainless steel replaceable regulator cartridge. Location of bubbler on ledge is adjustable. Conforms to ANSI A112.18.1. Certified to NSF/ANSI 61.



JSB-10-VR BUBBLER - All Stainless Steel Version

Vandal resistant, self-closing push button bubbler. Cast Type 304 stainless steel body and push button. Stainless steel replaceable regulator cartridge. Location of bubbler on ledge is adjustable. Conforms to ANSI A112.18.1. Certified to NSF/ANSI 61.



**J-ADA-35-SSF-VR
Drain System**

Vandal resistant flat grid strainer. Heavy duty 17 gauge chrome plated brass offset tailpiece.

(Insulator kit, J-ADA-150 available. Specify when ordering).



P-Traps - Specify Type



JTS-150 P-Trap

Swivel style P-Trap with clean-out, cast brass 1-1/2" x 1-1/2" J-Bend and cast ground joint elbow and brass slip nuts.



JT-150 P-Trap

Cast brass J-Bend with heavy duty 17 gauge 1-1/2" x 1-1/2" chrome plated brass drain pipe. Includes wall flange.

STOPS and SUPPLY OPTIONS



**DUAL
SUPPLY VALVE**

VAB16-3WAY
Single supply services faucet and bubbler. Available with loose key stop.



LABH22K



LABH26K
 LABH27K



LAH14BK
 LAH15BK



LABH10K **LABH11K**
 LABH12K **LABH13K**



LABH16K
 LABH20K

STOPS AND SUPPLY SIZING - Specify Type Below					
MODEL NO.					
x	Angle	x	Straight	Inlet	Outlet
	LABH10K		LSBH10K	3/8" I.P.S.	3/8 O.D.
	LABH11K		LSBH11K	3/8" I.P.S.	1/2 O.D.
	LABH12K		LSBH12K	1/2" I.P.S.	3/8 O.D.
	LABH13K		LSBH13K	1/2" I.P.S.	1/2 O.D.
	LABH16K		LSBH16K	1/2 NOM. COMP	3/8 O.D.
	LABH20K		LSBH20K	1/2 NOM. COMP	1/2 O.D.
	LABH22K		LSBH22K	1/2 NO. SWEAT	3/8 O.D.
	LABH26K		LSBH26K	1/2 N.S. W/5" EXT.	3/8 O.D.
	LABH27K		LSBH27K	1/2 N.S. W/5" EXT.	1/2 O.D.
	LAH14BK*	----		3/8 I.P.S. x 6" NIPPLE	3/8 I.P.S. x 6" NIPPLE
	LAH15BK*	----		1/2 I.P.S. x 6" NIPPLE	1/2 I.P.S. x 6" NIPPLE
	VAB16-3WAY				
STAINLESS STEEL BRAIDED RISERS - 12" STANDARD					
3/8" COMP. x 1/2" IPS			1/2" COMP. x 1/2" IPS		
	9" LONG		20" LONG	12" LONG	20" LONG
	12" LONG		30" LONG	Mark appropriate box with " X "	
	16" LONG		36" LONG	to signify required parts	

* This model not available with braided hose