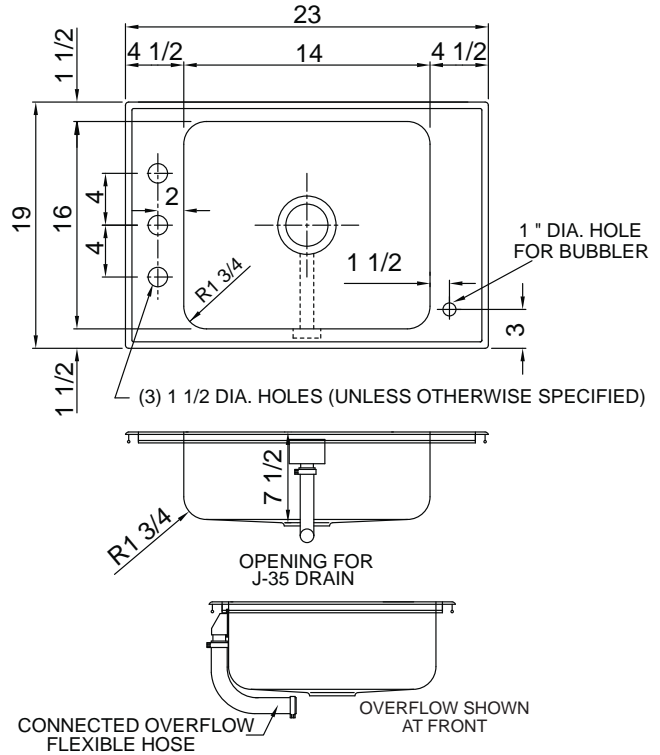




CRAF-1923-16-GR

STYLIST GROUP CLASSROOM SINK w/ INTEGRA-FLOW FAUCET LEDGE - LEFT / BUBBLER LEDGE- RIGHT

SUBMITTAL DATA



SPECIFICATION

Seamless die-drawn construction of 16 Gauge, Type 304 stainless steel. Interior and top surfaces polished to a non-porous Hand-Blended Just Finish with highlighted bowl rim. Fully coated underside insulated for sound and reduces condensation. Straight-sided compartment with radius corners provides greater capacity. Self-rimming top mount Grip-Rim Plus with stainless steel mounting channels. Conforms to ASME/ANSI A112.19.3M. Certified conformance with ASME A112.19.3/CSA B45.4, Canadian Standards (CSA), Uniform Plumbing Code (UPC) and International Plumbing Code (IPC). Drain punch 3-1/2" centered for Just J-35.

TYPE 316 STAINLESS STEEL (check if applicable)

| CUTOUT DIMENSIONS | | |
|-------------------|---------------|---------------|
| Model Number | Front-to-Back | Left-to-Right |
| CRAF-1923-16-GR | 18-1/4 | 22-1/4 |

5.53 Gallon Capacity

Capacity Matters
Max ID sizing with straight sided bowl configuration (non tapered sides). Tight corner radius design.

| | | | |
|---|--|---|--------------------------------|
| To Be Specified: | | | |
| <input type="checkbox"/> Faucet Hole Punching: | | <input type="checkbox"/> Bubbler Punching: | |
| <input type="checkbox"/> (1) Hole Centered | <input type="checkbox"/> (2) Holes on 4" centers | <input type="checkbox"/> (1) Hole - Right front (illustrated) | |
| <input type="checkbox"/> (3) Holes on 4" centers (illustrated) | | | |
| <input type="checkbox"/> Alternate Punching: Faucet Model: _____ | | Punching required: _____ | |
| OVERFLOW LOCATION MUST BE SPECIFIED: | | | |
| <input type="checkbox"/> FRONT (SHOWN) | <input type="checkbox"/> REAR | <input type="checkbox"/> LEFT | <input type="checkbox"/> RIGHT |

| | |
|----------------------------|------|
| APPROVED FOR MANUFACTURING | |
| MODEL NO.: | QTY: |
| JOB NAME: | |
| TAG/ITEM: | |
| CUSTOMER: | |
| SIGNATURE: | |



JUST MFG. COMPANY CONTINUES TO MAKE QUALITY AND FUNCTIONALITY A MARK OF THE JUST PRODUCT LINE. TO DO SO REQUIRES THAT WE RESERVE THE RIGHT TO CHANGE PRODUCT INFORMATION WITHOUT NOTICE. DIMENSIONS MAY VARY AND ARE SUBJECT TO CHANGE WITHOUT NOTICE. NO RESPONSIBILITY IS ASSUMED FOR USE OF SUPERCEDED OR VOIDED DATA. FOR THE MOST CURRENT AND ACCURATE INFORMATION REGARDING THE COMPLETE LINE OF JUST SINKS, FAUCETS AND DRAINS, CLICK ON THE **SPEC LINE DRAWINGS** LINK ON OUR WEB SITE AT www.justmfg.com