



# CRA-1725-A-GR-VR

STYLIST GROUP

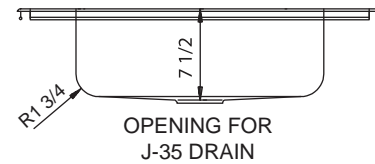
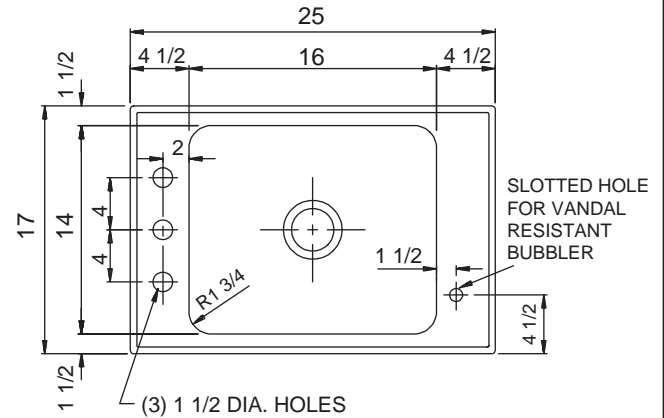
CLASSROOM SINK

VANDAL RESISTANT - CLASSROOM SINK  
 FAUCET LEDGE- LEFT / BUBBLER LEDGE- RIGHT  
 18 GAUGE  
 with FITTINGS

SUBMITTAL DATA



**7.03** Gallon Capacity\*  
 \*CAPACITY MATTERS  
 Max. I.D. sizing with straight-sided, non -tapered bowl configuration. Tight corner radius design.



### SPECIFICATION

Seamless die-drawn construction of 18 gauge type 304 stainless steel. Interior and top surfaces satin blended No. 4 finish. Fully coated under-side insulates for sound and reduces condensation. Straight sided compartment with 1-3/4" radius corners provides greater capacity. Self-rimming top mount with Grip-Rim Plus with stainless steel mounting channels. Drain punched for Just J-35-SSF drain. Certified to ASME/CSA A112.19.3/B45.4; UPC; IPC.

**TYPE 316 STAINLESS STEEL** (Check if applicable)



Sink certified to ASME A112.19.3/CSA B45.4; Uniform Plumbing Code (UPC); International Plumbing Code (IPC), by NSF International. Certified with/without overflow, less fittings.

### FITTINGS INCLUDED:

- (1) JSFVR-5 - Vandal resistant stainless steel faucet.
- (1) JSB-10-FLX-VR - Vandal resistant stainless steel bubbler with flexible, anti-microbial mothguard.
- (1) J-35-SSF-VR - Vandal resistant stainless steel flat grid strainer.

### CUTOUT DIMENSIONS

Model Number	Front-to-Back	Left-to-Right
CRA-1725-A-GR-VR	16-1/4	24-1/4

APPROVED FOR MANUFACTURING

MODEL NO.: **CRA-1725-A-GR-VR** QTY: \_\_\_\_\_

JOB NAME: \_\_\_\_\_

TAG/ITEM: \_\_\_\_\_

CUSTOMER: \_\_\_\_\_

SIGNATURE: \_\_\_\_\_



JUST MFG. COMPANY CONTINUES TO MAKE QUALITY AND FUNCTIONALITY A MARK OF THE JUST PRODUCT LINE. WE RESERVE THE RIGHT TO CHANGE PRODUCT INFORMATION WITHOUT NOTICE. DIMENSIONS MAY CHANGE AND MAY BE SUBJECT TO CHANGE WITHOUT NOTICE. NO RESPONSIBILITY IS ASSUMED FOR USE OF SUPERCEDED OR VOIDED DATA. JUST MFG. CO. SINKS ARE MADE IN THE U.S.A. WHEN COMPARING OTHER BRAND PRODUCTS, BE SURE TO COMPARE USA QUALITY ALONG WITH FEATURES AND DIMENSIONS.

**JUST MANUFACTURING COMPANY**

9233 KING STREET . FRANKLIN PARK . ILLINOIS . 60131-2111

PH: 847-678-5150 . FAX: 847-678-6817 . E-MAIL: custserv@justmfg.com . www.justmfg.com