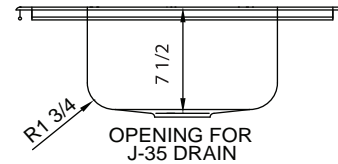
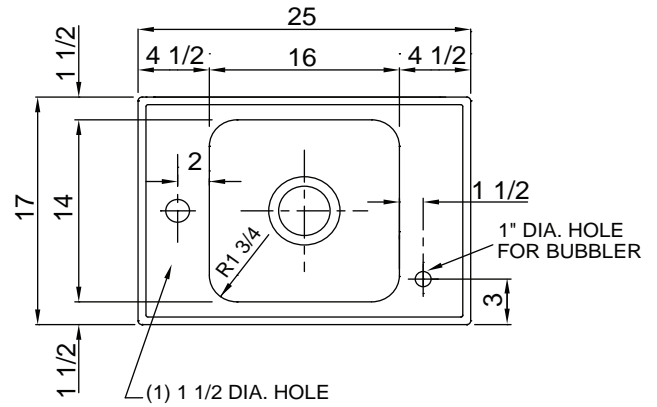




CRA-1725-16-GR

ARMOR GROUP CLASSROOM SINK-16 GAUGE FAUCET LEDGE - LEFT / BUBBLER LEDGE- RIGHT

SUBMITTAL DATA



7.03
Gallon
Capacity*

***CAPACITY MATTERS**
Max. I.D. sizing with straight-sided, non -tapered bowl configuration. Tight corner radius design.

SPECIFICATION

Seamless die-drawn construction of 16 gauge type 304 stainless steel. Interior and top surfaces satin blended No. 4 finish. Fully coated under-side insulates for sound and reduces condensation. Straight sided compartment with 1-3/4" radius corners provides greater capacity. Self-rimming top mount with Grip-Rim Plus with stainless steel mounting channels. Drain punched for Just J-35-SSF drain. Certified to ASME/CSA A112.19.3/B45.4; UPC; IPC.

TYPE 316 STAINLESS STEEL (Check if applicable)



Sink certified to ASME A112.19.3/CSA B45.4; Uniform Plumbing Code (UPC); International Plumbing Code (IPC), by NSF International. Certified with/without overflow, less fittings.

FAUCET PUNCHING - MUST BE SPECIFIED	
<input type="checkbox"/> (1) Hole Centered (illustrated)	<input type="checkbox"/> (1) Hole - Right front (illustrated)
<input type="checkbox"/> (2) Holes on 4" centers	
<input type="checkbox"/> (3) Holes on 4" centers	
<input type="checkbox"/> Alternate Punching: Faucet Model:	Punching Required:

CUTOUT DIMENSIONS		
Model Number	Front-to-Back	Left-to-Right
CRA-1725-16-GR	16-1/4	24-1/4

APPROVED FOR MANUFACTURING

MODEL NO.: **CRA-1725-16-GR** QTY: _____

JOB NAME: _____

TAG/ITEM: _____

CUSTOMER: _____

SIGNATURE: _____



JUST MFG. COMPANY CONTINUES TO MAKE QUALITY AND FUNCTIONALITY A MARK OF THE JUST PRODUCT LINE. WE RESERVE THE RIGHT TO CHANGE PRODUCT INFORMATION WITHOUT NOTICE. DIMENSIONS MAY CHANGE AND MAY BE SUBJECT TO CHANGE WITHOUT NOTICE. NO RESPONSIBILITY IS ASSUMED FOR USE OF SUPERCEDED OR VOIDED DATA. JUST MFG. CO. SINKS ARE MADE IN THE U.S.A. WHEN COMPARING OTHER BRAND PRODUCTS, BE SURE TO COMPARE USA QUALITY ALONG WITH FEATURES AND DIMENSIONS.

JUST MANUFACTURING COMPANY

9233 KING STREET . FRANKLIN PARK . ILLINOIS . 60131-2111

PH: 847-678-5150 . FAX: 847-678-6817 . E-MAIL: custserv@justmfg.com . www.justmfg.com