



# CRA-1723-B-GR

## STYLIST GROUP CLASSROOM SINK

FAUCET LEDGE- LEFT / BUBBLER LEDGE- RIGHT  
20 GAUGE



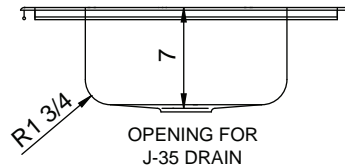
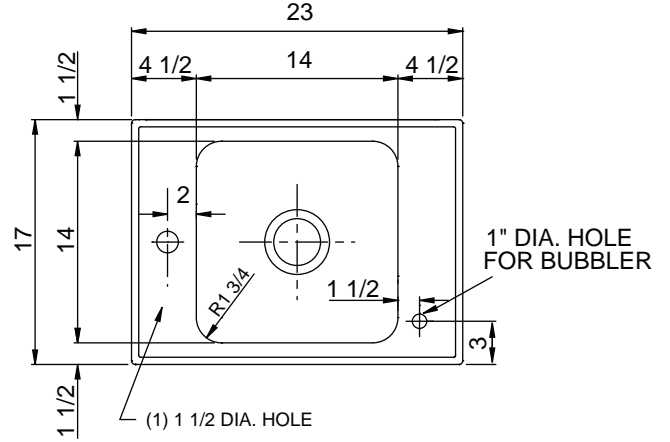
**5.13**  
Gallon  
Capacity\*

**\*CAPACITY MATTERS**

Max. I.D. sizing with straight-sided, non -tapered bowl configuration. Tight corner radius design.

**SPECIFICATION**

Seamless die-drawn construction of 20 gauge type 304 stainless steel. Interior and top surfaces polished to a non-porous Hand Blended Just Finish. Fully coated underside insulate for sound and reduces condensation. Straight sided compartment with 1-3/4" radius corners provides greater capacity. Self-rimming top mount with Grip-Rim Plus with stainless steel mounting channels. Drain punched for Just J-35-SSF drain. Certified to ASME/CSA B45.4; UPC; IPC.



SUBMITTAL DATA

CUTOUT DIMENSIONS		
Model Number	Front-to-Back	Left-to-Right
CRA-1723-B-GR	16-1/4	22-1/4

To Be Specified:	
Faucet Hole Punching:	Bubbler Punching:
<input type="checkbox"/> (1) Hole Centered (illustrated)	<input type="checkbox"/> (1) Hole - Right front (illustrated)
<input type="checkbox"/> (2) Holes on 4" centers	
<input type="checkbox"/> (3) Holes on 4" centers	
<input type="checkbox"/> Alternate Punching: Faucet Model: _____	Punching required: _____



Sink certified to ASME A112.19.3/CSA B45.4; Uniform Plumbing Code (UPC); International Plumbing Code (IPC), by NSF International. Certified less fittings.

APPROVED FOR MANUFACTURING

MODEL NO.: **CRA-1723-B-GR** QTY: \_\_\_\_\_

JOB NAME: \_\_\_\_\_

TAG/ITEM: \_\_\_\_\_

CUSTOMER: \_\_\_\_\_

SIGNATURE: \_\_\_\_\_



JUST MFG. COMPANY CONTINUES TO MAKE QUALITY AND FUNCTIONALITY A MARK OF THE JUST PRODUCT LINE. WE RESERVE THE RIGHT TO CHANGE PRODUCT INFORMATION WITHOUT NOTICE. DIMENSIONS MAY CHANGE AND MAY BE SUBJECT TO CHANGE WITHOUT NOTICE. NO RESPONSIBILITY IS ASSUMED FOR USE OF SUPERCEDED OR VOIDED DATA. JUST MFG. CO. SINKS ARE MADE IN THE U.S.A. WHEN COMPARING OTHER BRAND PRODUCTS, BE SURE TO COMPARE USA QUALITY ALONG WITH FEATURES AND DIMENSIONS.

**JUST MANUFACTURING COMPANY** 9233 KING STREET . FRANKLIN PARK . ILLINOIS . 60131-2111  
PH: 847-678-5150 . FAX: 847-678-6817 . E-MAIL: custserv@justmfg.com . www.justmfg.com