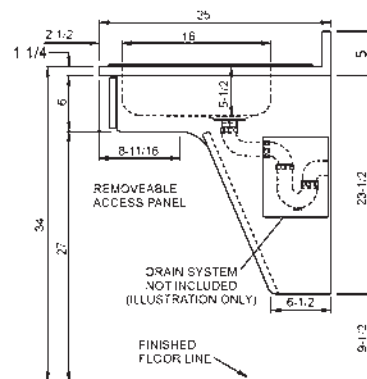
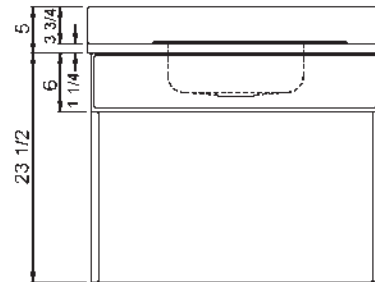
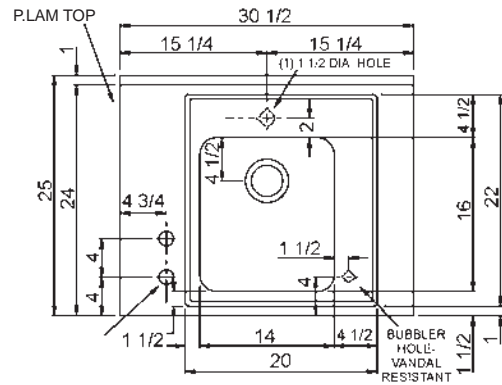




# CPWH - 3025



## INSTITUTIONAL GROUP CLASSROOM WALL-HUNG SINK/DRINKING FOUNTAIN



### SPECIFICATION

CPWH-3025 - Top and enclosure of flat black casework laminate construction. Bowl of 18 gauge stainless steel seamless drawn construction. Top flange and interior of bowl to have a Hand-Blended Just Finish. Underside of bowl shall be sound deadened. ADA Compliant.

Faucet shall be JUST J-1176-KS-M-VR with 5-1/2" reach, chrome plated gooseneck swivel spout, with vandal resistant aerator and handles.

Bubbler shall be lead free JUST JSB-10-VR type 304 stainless steel, vandal resistant, angle stream bubbler. The unit shall have a replaceable self-closing cartridge. Activation shall require less than 5lb. force, as required by ADA and CABO/ANSI A117.1-1992 specifications.

Drain fittings shall be JUST J-ADA-35-SSF-VR stainless steel body, stainless steel flat grid strainer and 1-1/2" O.D. chrome plated waste arm 12" long.

SUBMITTAL DATA



### FITTINGS INCLUDED

**FAUCET:** J-1176-KS-M-VR with 5-1/2" reach, chrome plated gooseneck swivel spout, with vandal resistant aerator and handles.

**BUBBLER:** JSB-10-VR LEAD-FREE, Vandal-resistant, ADA compliant, type 304 cast stainless steel bubbler.

**DRAIN:** J-ADA-35-SSF-VR vandal resistant stainless steel flat grid strainer and body.

**ENCLOSURE:** Enclosure of flat black casework laminate construction.

### ALTERNATE FAUCET:

JSFVR-5 stainless steel, vandal resistant single tap classroom faucet. Vandal-resistant handle and aerator.

JUST MFG. COMPANY CONTINUES TO MAKE QUALITY AND FUNCTIONALITY A MARK OF THE JUST PRODUCT LINE. WE RESERVE THE RIGHT TO CHANGE PRODUCT INFORMATION WITHOUT NOTICE. DIMENSIONS MAY CHANGE AND MAY BE SUBJECT TO CHANGE WITHOUT NOTICE. NO RESPONSIBILITY IS ASSUMED FOR USE OF SUPERCEDED OR VOIDED DATA. JUST MFG. CO. SINKS ARE MADE IN THE U.S.A. WHEN COMPARING OTHER BRAND PRODUCTS, BE SURE TO COMPARE USA QUALITY ALONG WITH FEATURES AND DIMENSIONS.

APPROVED FOR MANUFACTURING

MODEL NO.: **CPWH-3025** QTY: \_\_\_\_\_

JOB NAME: \_\_\_\_\_

TAG/ITEM: \_\_\_\_\_

CUSTOMER: \_\_\_\_\_

SIGNATURE: \_\_\_\_\_

JUST MANUFACTURING COMPANY

9233 KING STREET . FRANKLIN PARK . ILLINOIS . 60131-2111

PH: 847-678-5150 . FAX: 847-678-6817 . E-MAIL: custserv@justmfg.com . www.justmfg.com



# CPWH-3025

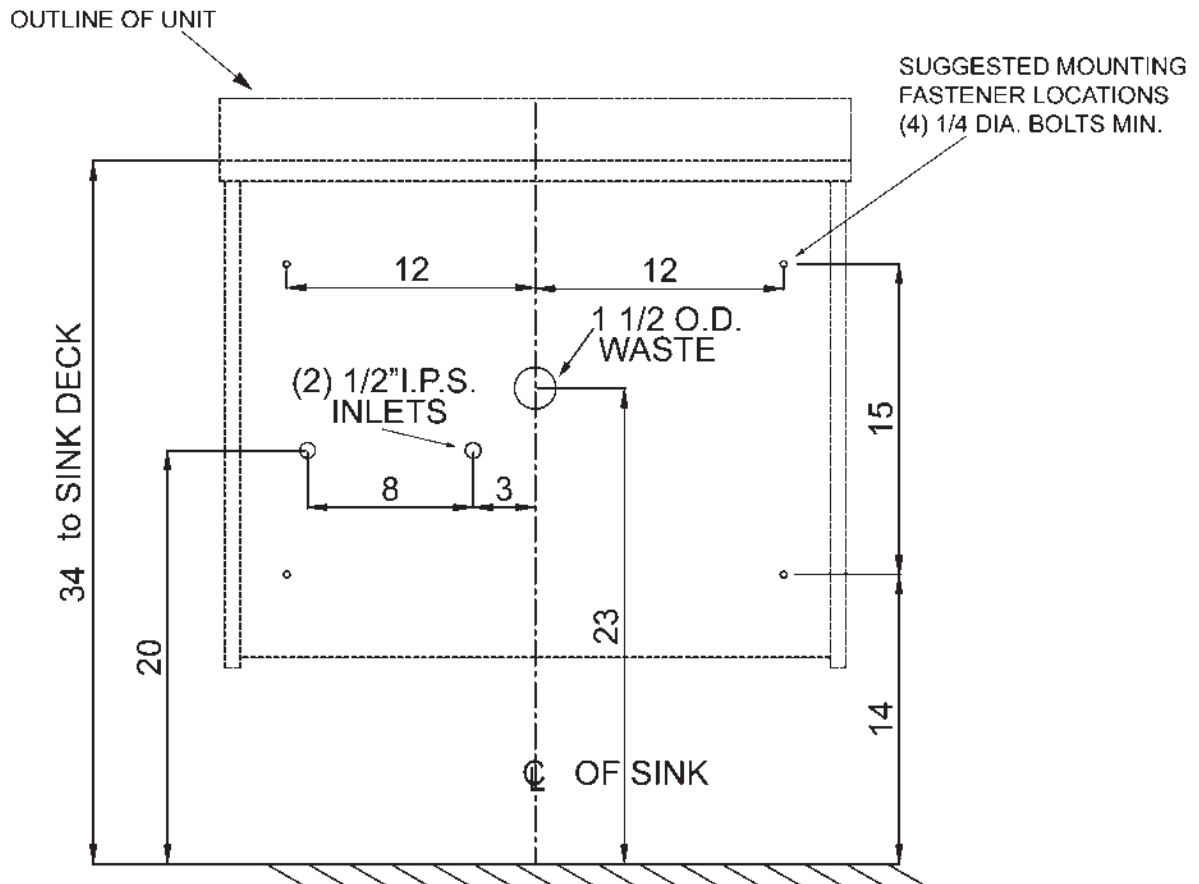
INSTITUTIONAL GROUP

ADA COMPLIANT

CLASSROOM WALL-HUNG SINK/DRINKING FOUNTAIN

## ROUGH-IN DATA

SUBMITTAL DATA



JUST MANUFACTURING COMPANY

9233 KING STREET . FRANKLIN PARK . ILLINOIS . 60131-2111

PH: 847-678-5150 . FAX: 847-678-6817 . E-MAIL: [custserv@justmfg.com](mailto:custserv@justmfg.com) . [www.justmfg.com](http://www.justmfg.com)