

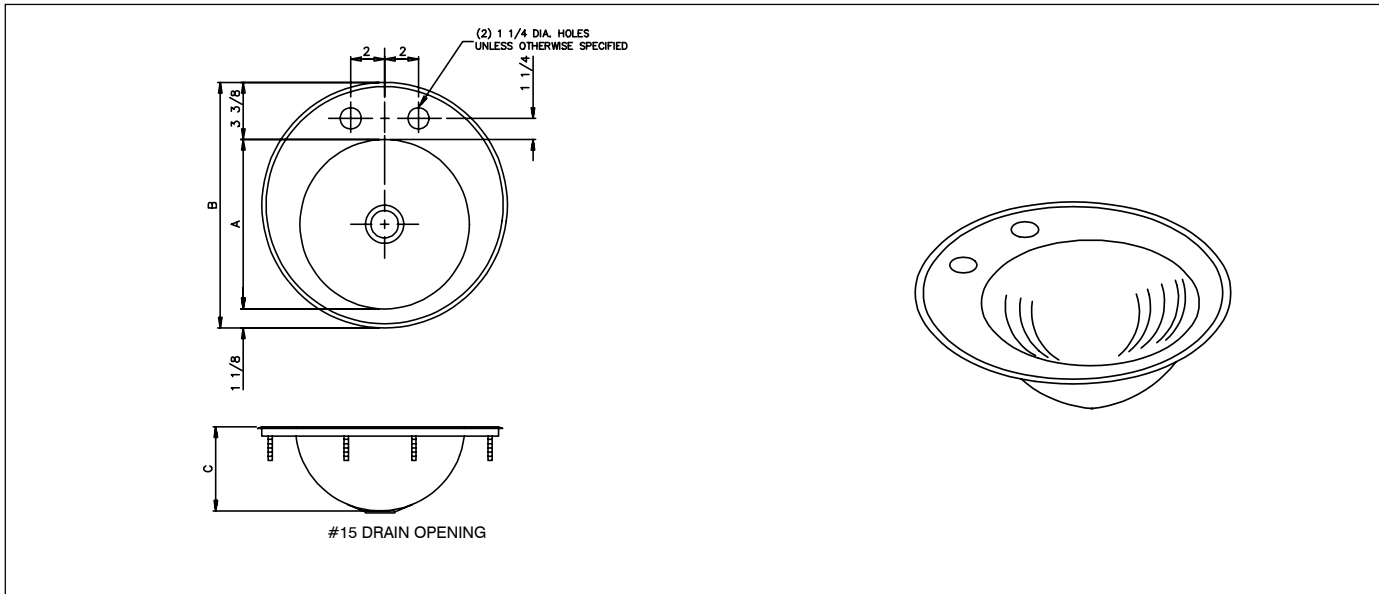


# LAVATORY GROUP

## CLR - SERIES - 18 GA.

**CIRCULAR LAVATORY  
LEDGE TYPE - NO OVERFLOW**

**SUBMITTAL DATA**



**CLR-10  
ADA COMPLIANT**

| MODEL NO. | A  | B      | C | CUTOUT*     |
|-----------|----|--------|---|-------------|
| CLR-10 ** | 10 | 14-1/2 | 5 | 13-3/4 DIA. |
| CLR-14    | 14 | 18-1/2 | 7 | 17-3/4 DIA. |

\*\* A.D.A. COMPLIANT LAVATORY

**SPECIFICATION**

Seamless die-drawn construction of type 304, 18-8 stainless steel. Interior and top surfaces polished to a non-porous Hand-Blended Just Finish. Fully coated underside insulates for sound, and reduces condensation. Self-rimming top mount. Conforms to ASME/ANSI A112.19.3M. Drain punch #15 for Just J-15 drain.

**To be specified :**

- Faucet hole punching:
  - (1) Hole centered
  - (2) Holes on 4" centers
  - (3) Holes on 2 "centers(illustrated)
  - Alternate Punching:  
Faucet Model: \_\_\_\_\_  
Punching required: \_\_\_\_\_

FUNCTIONAL DESIGN, QUALITY, AND SPECIFICATIONS LISTED DESCRIBE THE JUST STANDARD OF QUALITY. WHEN MAKING COMPARISONS WITH OTHER OFFERINGS, INSIST ON THE JUST QUALITY OF CONSTRUCTION. FOR ADDITIONAL INFORMATION REGARDING THE COMPLETE LINE OF **JUST** SINKS, FAUCETS AND DRAINS, VISIT OUR WEB SITE AT [www.justmfg.com](http://www.justmfg.com)

Job Name \_\_\_\_\_

Customer \_\_\_\_\_

Architect/Engineer \_\_\_\_\_

APPROVED FOR MANUFACTURING

MODEL NO. \_\_\_\_\_ QTY. \_\_\_\_\_

COMPANY \_\_\_\_\_

TITLE \_\_\_\_\_ DATE \_\_\_\_\_

SIGNATURE \_\_\_\_\_

REVISED-5/2004