

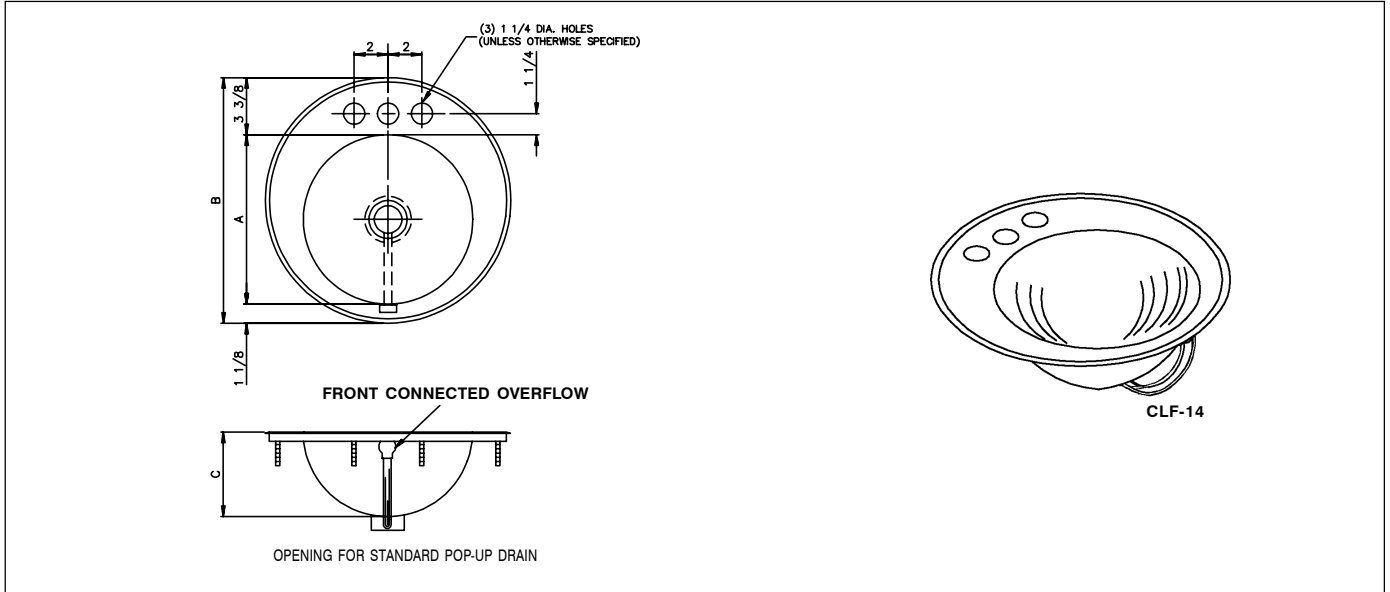


LAVATORY GROUP

CLF - SERIES - 18 GA.

CIRCULAR LAVATORY
LEDGE TYPE - WITH OVERFLOW

SUBMITTAL DATA



CLF-10
ADA COMPLIANT

MODEL NO.	A	B	C	CUTOUT
CLF-10 **	10	14-1/2	5	13-3/4 DIA.
CLF-14	14	18-1/2	7	17-3/4 DIA.

** A.D.A. COMPLIANT LAVATORY

SPECIFICATION

Seamless die-drawn construction of type 304, 18-8 stainless steel. Interior and top surfaces polished to a non-porous Hand-Blended Just Finish. Fully coated underside insulates for sound, and reduces condensation. Self-rimming top mount. Conforms to ASME/ANSI A112.19.3M. Standard lavatory pop-up drain punching.

To be specified :

- Faucet hole punching:
 - (1) Hole centered
 - (2) Holes on 4" centers
 - (3) Holes on 2 "centers (illustrated)
 - Alternate Punching:
Faucet Model: _____
Punching required: _____

FUNCTIONAL DESIGN, QUALITY, AND SPECIFICATIONS LISTED DESCRIBE THE JUST STANDARD OF QUALITY. WHEN MAKING COMPARISONS WITH OTHER OFFERINGS, INSIST ON THE JUST QUALITY OF CONSTRUCTION. FOR ADDITIONAL INFORMATION REGARDING THE COMPLETE LINE OF **JUST** SINKS, FAUCETS AND DRAINS, VISIT OUR WEB SITE AT www.justmfg.com

Job Name _____
Customer _____
Architect/Engineer _____

APPROVED FOR MANUFACTURING

MODEL NO. _____ QTY. _____
COMPANY _____
TITLE _____ DATE _____
SIGNATURE _____

REVISED-5/2004

JUST MANUFACTURING COMPANY 9233 KING STREET . FRANKLIN PARK . ILLINOIS . 60131-2111
PH: 847-678-5150 . FAX: 847-678-6817 . E-MAIL: custserv@justmfg.com . www.justmfg.com