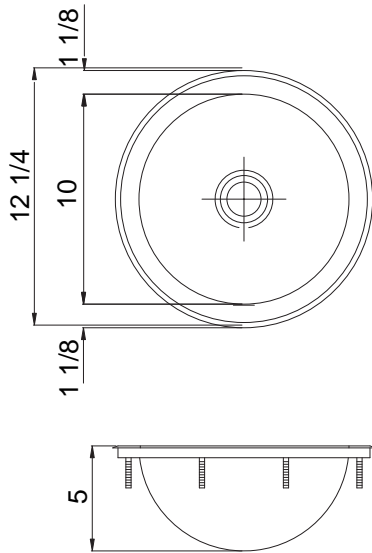




# LAVATORY GROUP

## CIR-10 -18 GA.

### CIRCULAR LAVATORY FLAT RIM



OPENING FOR #15 DRAIN



SUBMITTAL DATA

#### CUTOUT DIMENSIONS

Model Number	CIRCULAR
CIR-10	11 1/2" DIA.

#### SPECIFICATION

Seamless die-drawn construction of Type 304, 18-8 stainless steel. Interior and top surfaces polished to a non-porous Hand-Blended Just Finish with highlighted bowl rim. Fully coated underside insulated for sound and reduces condensation. Straight-sided compartment with radius corners provides greater capacity. Self-rimming top mount Grip-Rim Plus with stainless steel mounting channels. Conforms to ASME/ANSI A112.19.3M. Certified conformance with ASME A112.19.3/CSA B45.4, Canadian Standards (CSA), Uniform Plumbing Code (UPC) and International Plumbing Code (IPC).

**1.13**  
Gallon  
Capacity

#### Capacity Matters

Max ID sizing with straight sided bowl configuration (non tapered sides). Tight corner radius design.



**AVAILABLE  
ADA COMPLIANT**

JUST MFG. COMPANY CONTINUES TO MAKE QUALITY AND FUNCTIONALITY A MARK OF THE JUST PRODUCT LINE. TO DO SO REQUIRES THAT WE RESERVE THE RIGHT TO CHANGE PRODUCT INFORMATION WITHOUT NOTICE. DIMENSIONS MAY VARY AND ARE SUBJECT TO CHANGE WITHOUT NOTICE. NO RESPONSIBILITY IS ASSUMED FOR USE OF SUPERCEDED OR VOIDED DATA. FOR THE MOST CURRENT AND ACCURATE INFORMATION REGARDING THE COMPLETE LINE OF JUST SINKS, FAUCETS AND DRAINS, CLICK ON THE **SPEC LINE DRAWINGS** LINK ON OUR WEB SITE AT [www.justmfg.com](http://www.justmfg.com)

Job Name \_\_\_\_\_

Customer \_\_\_\_\_

Architect/Engineer \_\_\_\_\_

APPROVED FOR MANUFACTURING

MODEL NO. \_\_\_\_\_ QTY. \_\_\_\_\_

COMPANY \_\_\_\_\_

TITLE \_\_\_\_\_ DATE \_\_\_\_\_

SIGNATURE \_\_\_\_\_

REVISED-5/2004

**JUST MANUFACTURING COMPANY**

**9233 KING STREET . FRANKLIN PARK . ILLINOIS . 60131-2111**

PH: 847-678-5150

FAX: 847-678-6817

E-MAIL: [custserv@justmfg.com](mailto:custserv@justmfg.com)

[www.justmfg.com](http://www.justmfg.com)