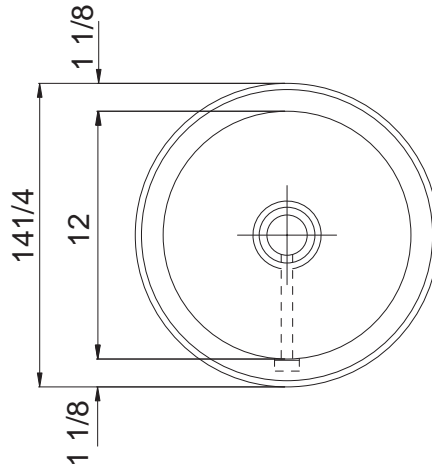




CIF-ADA-12 - 18GA.

LAVATORY GROUP

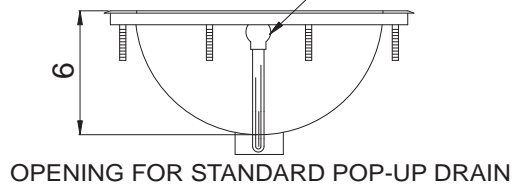
CIRCULAR LAVATORY
FLAT RIM - WITH OVERFLOW



1.95 Gallon Capacity*
*CAPACITY MATTERS
Max. I.D. sizing with straight-sided, non-tapered bowl configuration. Tight corner radius design.

Seamless die-drawn construction of 18 gauge type 304 stainless steel. Interior and top surfaces satin blended No. 4 finish. Fully coated under-side insulates for sound and reduces condensation. SELF-RIMMING TOP MOUNT. Drain punched for Just J-35-SSF drain. Certified to ASME/CSA A112.19.3/B45.4; UPC; IPC.

FRONT MOUNTED CONNECTED OVERFLOW



OPENING FOR STANDARD POP-UP DRAIN



Sink certified to ASME A112.19.3/CSA B45.4; Uniform Plumbing Code (UPC); International Plumbing Code (IPC), by NSF International. Certified with/without overflow, less fittings.

Sink certified compliant with 2010 ADA Standards for Accessible Design and ICC/ANSI A117.1 by NSF International.

CUTOUT DIMENSIONS	
Model Number	CIRCULAR
CIF-ADA-12	13-1/2 DIA.

APPROVED FOR MANUFACTURING

MODEL NO.: **CIF-ADA-12** QTY: _____

JOB NAME: _____

TAG/ITEM: _____

CUSTOMER: _____

SIGNATURE: _____



JUST MFG. COMPANY CONTINUES TO MAKE QUALITY AND FUNCTIONALITY A MARK OF THE JUST PRODUCT LINE. WE RESERVE THE RIGHT TO CHANGE PRODUCT INFORMATION WITHOUT NOTICE. DIMENSIONS MAY CHANGE AND MAY BE SUBJECT TO CHANGE WITHOUT NOTICE. NO RESPONSIBILITY IS ASSUMED FOR USE OF SUPERCEDED OR VOIDED DATA. JUST MFG. CO. SINKS ARE MADE IN THE U.S.A. WHEN COMPARING OTHER BRAND PRODUCTS, BE SURE TO COMPARE USA QUALITY ALONG WITH FEATURES AND DIMENSIONS.

SUBMITTAL DATA