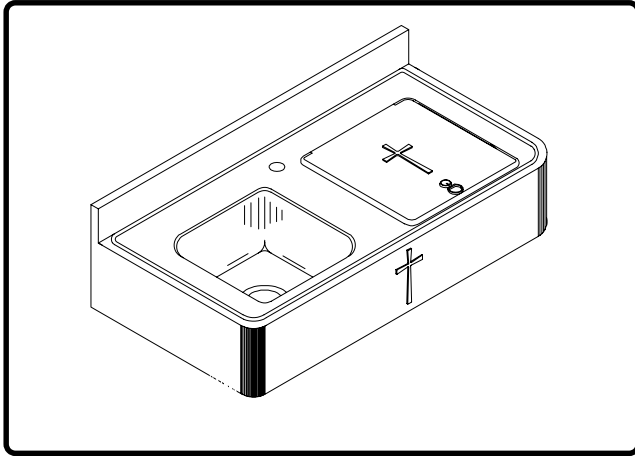




**INSTITUTIONAL GROUP**

# C-19014

**SACRISTY SINK  
WALL MOUNTED with BRACKETS**

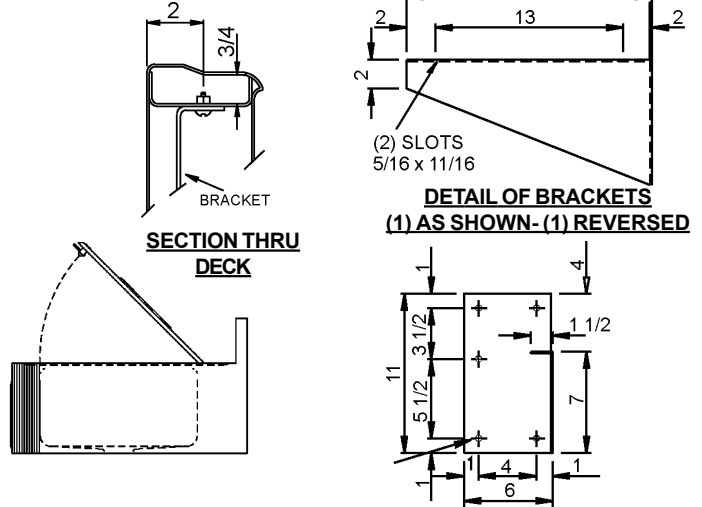
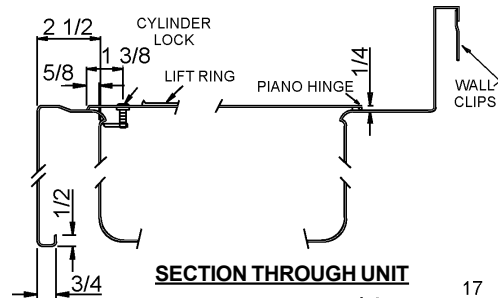
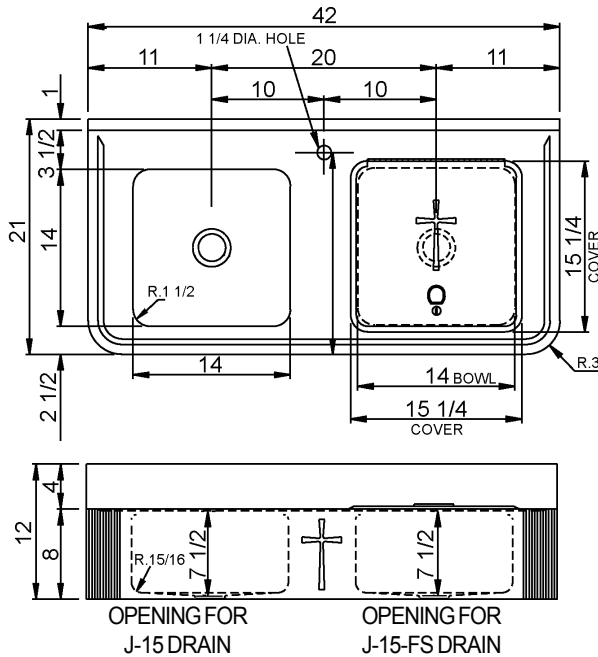


**SPECIFICATION**

Seamless welded construction, top fabricated of 16 gauge type 304 stainless steel. Bowl and hinged cover of 18 gauge type 304 stainless steel. Bowl seamlessly welded to top with anti-splash rim. Underside coated to insulate for sound and reduce condensation. Cover supplied with lock and keys. Includes two 12 gauge mild steel brackets painted grey for wall mounting. Drain punch for J-15 drain and J-15-FS drain unless otherwise specified. Exposed surfaces polished with a Hand-Blended Just Finish.

**To be specified :**

- Cover
- Right bowl (illustrated)       Left bowl



FUNCTIONAL DESIGN, QUALITY, AND SPECIFICATIONS LISTED DESCRIBE THE JUST STANDARD OF QUALITY. WHEN MAKING COMPARISONS WITH OTHER OFFERINGS, INSIST ON THE JUST QUALITY OF CONSTRUCTION. FOR ADDITIONAL INFORMATION REGARDING THE COMPLETE LINE OF JUST SINKS, FAUCETS AND DRAINS, VISIT OUR WEB SITE AT [www.justmfg.com](http://www.justmfg.com)

Job Name \_\_\_\_\_  
Customer \_\_\_\_\_  
Architect/Engineer \_\_\_\_\_

APPROVED FOR MANUFACTURING  
MODEL NO. \_\_\_\_\_ QTY. \_\_\_\_\_  
COMPANY \_\_\_\_\_  
TITLE \_\_\_\_\_ DATE \_\_\_\_\_  
SIGNATURE \_\_\_\_\_

**JUST MANUFACTURING COMPANY**      9233 KING STREET . FRANKLIN PARK . ILLINOIS . 60131-2111  
PH: 847-678-5150      FAX: 847-678-6817      E-MAIL: [custserv@justmfg.com](mailto:custserv@justmfg.com)      [www.justmfg.com](http://www.justmfg.com)

SUBMITTAL DATA

REVISED-5/2004