

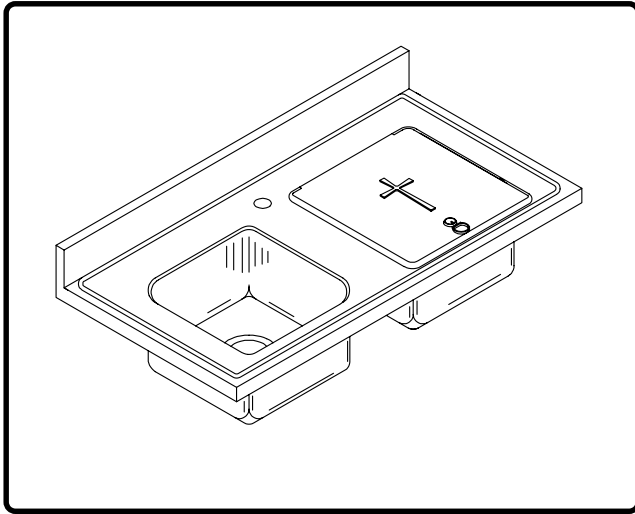


INSTITUTIONAL GROUP

C-19013

**SACRISTY SINK
CABINET MOUNTED**

SUBMITTAL DATA

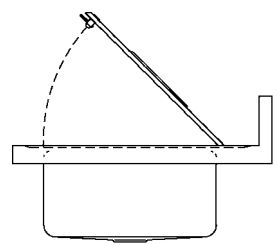
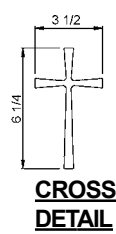
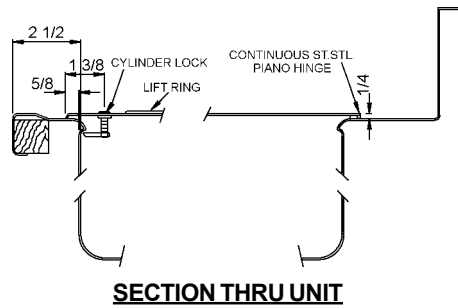
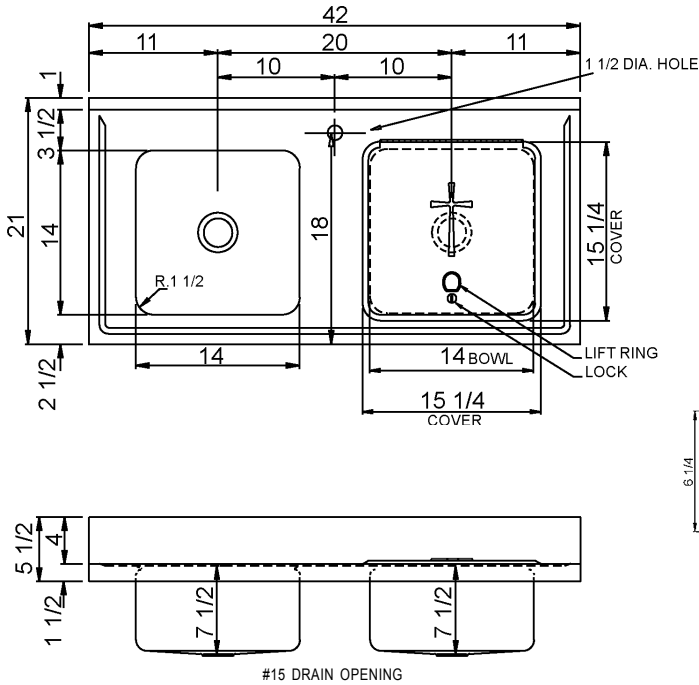


SPECIFICATION

Seamless welded construction, top fabricated of 16 gauge type 304 stainless steel. Bowl and hinged cover of 18 gauge type 304 stainless steel. Bowl with anti-splash rim seamless welded to top. Underside coated to insulate for sound and reduce condensation. Cover supplied with lock and keys. Standard wood frame for cabinet mounting. Drain punch for J-15 drain and J-15-FS drain unless otherwise specified. Exposed surfaces polished with a Hand-Blended Just Finish.

To be specified :

- Cover
- Right bowl (illustrated) Left bowl



FUNCTIONAL DESIGN, QUALITY, AND SPECIFICATIONS LISTED DESCRIBE THE JUST STANDARD OF QUALITY. WHEN MAKING COMPARISONS WITH OTHER OFFERINGS, INSIST ON THE JUST QUALITY OF CONSTRUCTION. FOR ADDITIONAL INFORMATION REGARDING THE COMPLETE LINE OF **JUST** SINKS, FAUCETS AND DRAINS, VISIT OUR WEB SITE AT www.justmfg.com



Job Name _____

Customer _____

Architect/Engineer _____

APPROVED FOR MANUFACTURING

MODEL NO. _____ QTY. _____

COMPANY _____

TITLE _____ DATE _____

SIGNATURE _____

JUST MANUFACTURING COMPANY 9233 KING STREET . FRANKLIN PARK . ILLINOIS . 60131-2111
 PH: 847-678-5150 . FAX: 847-678-6817 . E-MAIL: custserv@justmfg.com . www.justmfg.com

REVISED-5/2004