



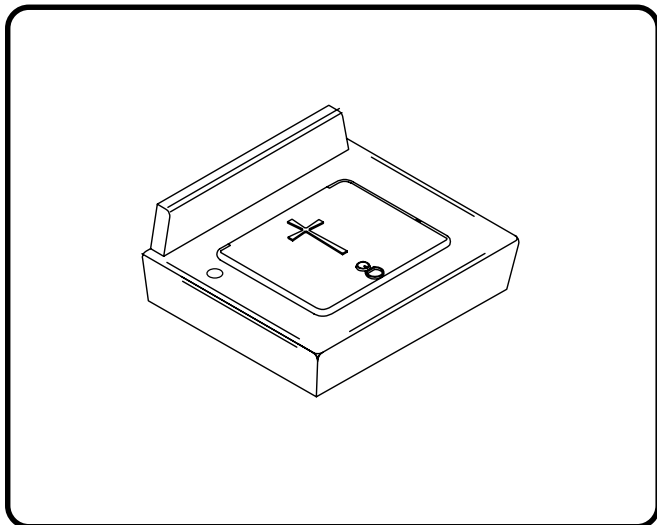
INSTITUTIONAL GROUP

B-24062

SACRISTY with COVER

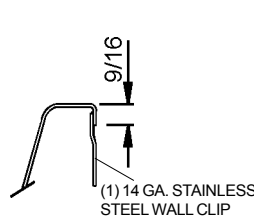
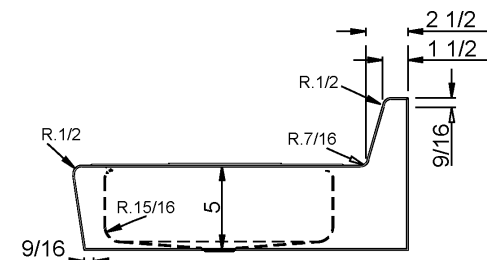
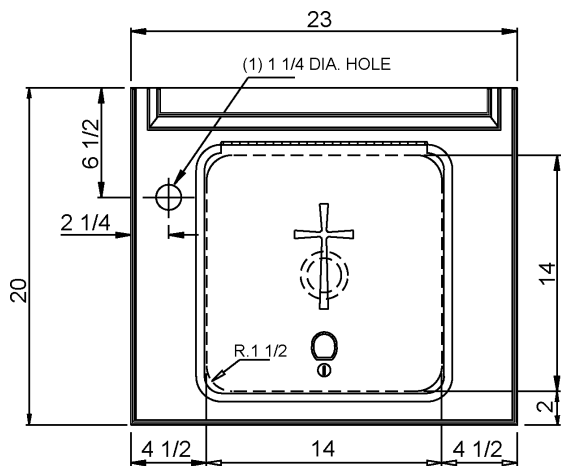


SUBMITTAL DATA

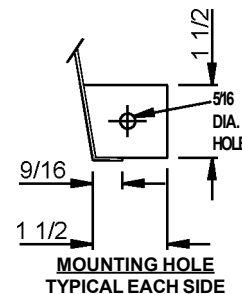


SPECIFICATION

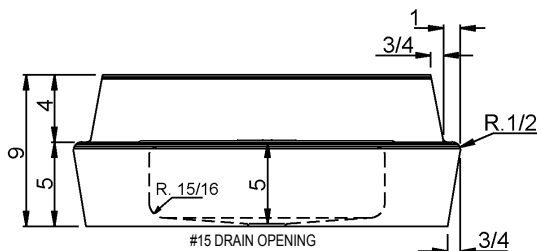
Top, bowl and cover fabricated of 18 gauge type 304 stainless steel polished with Hand-Blended Just Finish. Bowl seamless welded to top with anti-splash rim. Underside coated to insulate for sound and reduce condensation. Cover supplied with lock and keys. Drain punch for J-15-FS drain unless otherwise specified. Furnished with one stainless steel wall clip and integral flange for wall mounting.



SECTION THROUGH BACKSPASH



MOUNTING HOLE TYPICAL EACH SIDE



FUNCTIONAL DESIGN, QUALITY, AND SPECIFICATIONS LISTED DESCRIBE THE JUST STANDARD OF QUALITY. WHEN MAKING COMPARISONS WITH OTHER OFFERINGS, INSIST ON THE JUST QUALITY OF CONSTRUCTION. FOR ADDITIONAL INFORMATION REGARDING THE COMPLETE LINE OF **JUST** SINKS, FAUCETS AND DRAINS, VISIT OUR WEB SITE AT www.justmfg.com

Job Name _____	
Customer _____	
Architect/Engineer _____	
APPROVED FOR MANUFACTURING	
MODEL NO. _____	QTY. _____
COMPANY _____	
TITLE _____	DATE _____
SIGNATURE _____	

JUST MANUFACTURING COMPANY

9233 KING STREET . FRANKLIN PARK . ILLINOIS . 60131-2111

PH: 847-678-5150 . FAX: 847-678-6817 . E-MAIL: custserv@justmfg.com . www.justmfg.com

REVISED-5/2004