



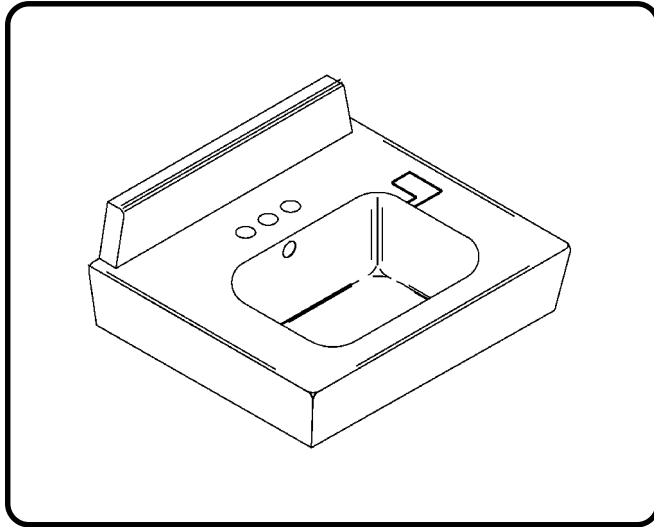
INSTITUTIONAL GROUP

B-21429

LAVATORY



SUBMITTAL DATA



SPECIFICATION

Seamless welded construction, fabricated of 18 gauge type 304 stainless steel, with integral-formed apron and backsplash. Exposed surfaces polished with Hand-Blended Just Finish. Underside coated to insulate for sound and reduce condensation. Drain punch for standard lavatory drain unless otherwise specified. Furnished with one stainless steel wall clip and integral flange for wall mounting. Includes connected overflow.

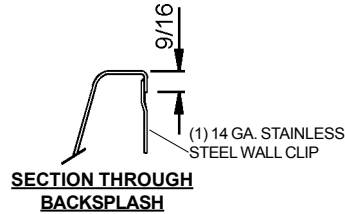
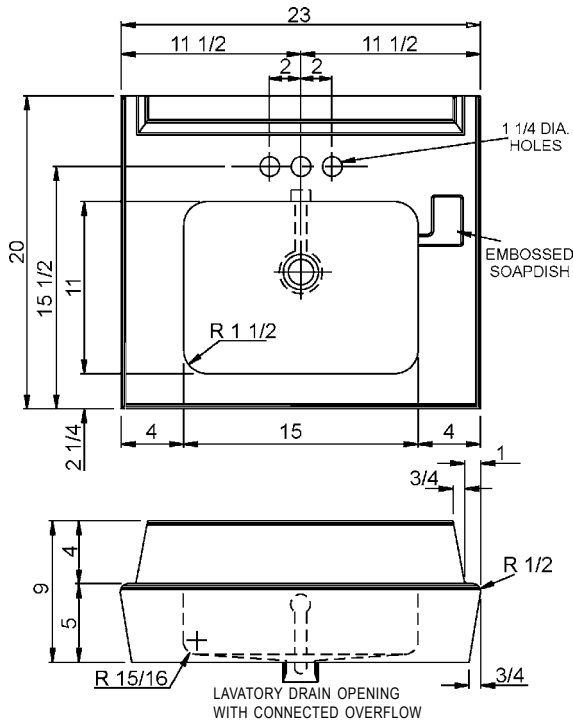
To be specified :

■ Faucet hole punching:

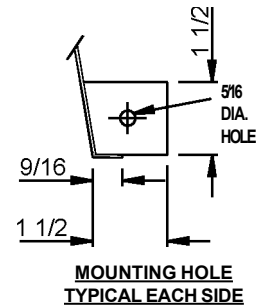
- (1) Hole Centered
- (2) Holes on 4" centers
- (3) Holes on 2" centers (illustrated)
- (3) Holes on 4" centers

□ Alternate Punching:

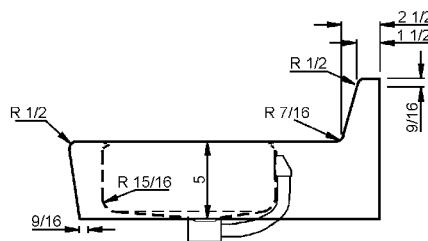
Faucet Model: _____
Punching required: _____



SECTION THROUGH BACKSPASH



MOUNTING HOLE TYPICAL EACH SIDE



FUNCTIONAL DESIGN, QUALITY, AND SPECIFICATIONS LISTED DESCRIBE THE JUST STANDARD OF QUALITY. WHEN MAKING COMPARISONS WITH OTHER OFFERINGS, INSIST ON THE JUST QUALITY OF CONSTRUCTION. FOR ADDITIONAL INFORMATION REGARDING THE COMPLETE LINE OF **JUST** SINKS, FAUCETS AND DRAINS, VISIT OUR WEB SITE AT www.justmfg.com

Job Name _____
Customer _____
Architect/Engineer _____

APPROVED FOR MANUFACTURING

MODEL NO. _____ QTY. _____
COMPANY _____
TITLE _____ DATE _____
SIGNATURE _____

REVISED-5/2004

JUST MANUFACTURING COMPANY

9233 KING STREET . FRANKLIN PARK . ILLINOIS . 60131-2111

PH: 847-678-5150 . FAX: 847-678-6817 . E-MAIL: custserv@justmfg.com . www.justmfg.com