



# ARL-ADA-2166-A-GR-T

## INSTITUTIONAL GROUP

### ADA COMPLIANT

### ART ROOM SINKS with FITTINGS



**30.21**  
Gallon  
Capacity\*

#### \*CAPACITY MATTERS

Max. I.D. sizing with straight-sided, non-tapered bowl configuration. Tight corner radius design. Capacity based on 6-1/2" depth.

#### SPECIFICATION

Seamless welded construction of 18 gauge type 304 stainless steel. Interior and top surfaces polished to a non-porous Hand Blended Just Finish. Fully coated under-side insulates for sound and reduces condensation. Straight sided compartment with 1-1/2" vertical radius corners and 15/16" horizontal corners provides greater capacity. Self-rimming top mount with Grip-Rim Plus with stainless steel mounting channels. Drain punched for Just J-35-SSF drain. Certified to ASME/CSA A112.19.3/B45.4; UPC; IPC.



Sink certified to ASME A112.19.3/CSA B45.4; Uniform Plumbing Code (UPC); International Plumbing Code (IPC), by NSF International. Certified less fittings.

#### CUTOUT DIMENSIONS

Model Number	Front-to-Back	Left-to-Right
ARL-ADA-2166-A-GR-T	20-1/4	65-1/4

#### FAUCET PUNCHING MUST BE SPECIFIED

- (1) Hole - Centered
- (2) Holes - 4" centers
- (3) holes - 4" centers (illustrated)

Alternate Punching:

Faucet Model:

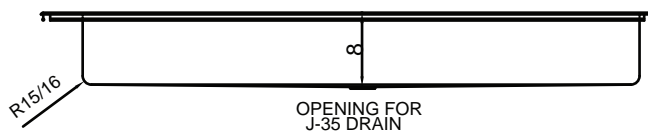
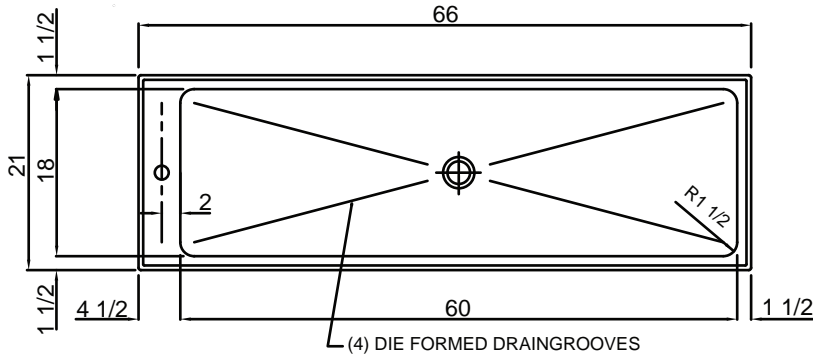
Punching Required:

#### DEPTH - MUST BE SPECIFIED:

- 4 1/2" DEEP
- 5" DEEP
- 5-1/2" DEEP
- 6" DEEP
- 6-1/2" DEEP

#### DRAIN LOCATION - MUST BE SPECIFIED:

- CENTER
- CENTER REAR
- LEFT REAR
- RIGHT REAR



APPROVED FOR MANUFACTURING

MODEL NO.: **ARL-ADA-2166-A-GR-T** QTY: \_\_\_\_\_

JOB NAME: \_\_\_\_\_

TAG/ITEM: \_\_\_\_\_

CUSTOMER: \_\_\_\_\_

SIGNATURE: \_\_\_\_\_

#### INCLUDES

##### JPR-501 Faucet

Cast body with spring action goosneck. Quarter turn ceramic disc cartridge. Supplied with stainless steel braided hose and 20-1/2" reach. Overall height 20-1/2".

##### J-35-SSF Drain

Type 304 stainless steel drain body, stainless steel flat grid strainer and 1-1/2" O.D. stainless steel tailpiece. 4" long.



JUST MFG. COMPANY CONTINUES TO MAKE QUALITY AND FUNCTIONALITY A MARK OF THE JUST PRODUCT LINE. WE RESERVE THE RIGHT TO CHANGE PRODUCT INFORMATION WITHOUT NOTICE. DIMENSIONS MAY CHANGE AND MAY BE SUBJECT TO CHANGE WITHOUT NOTICE. NO RESPONSIBILITY IS ASSUMED FOR USE OF SUPERCEDED OR VOIDED DATA. JUST MFG. CO. SINKS ARE MADE IN THE U.S.A. WHEN COMPARING OTHER BRAND PRODUCTS, BE SURE TO COMPARE USA QUALITY ALONG WITH FEATURES AND DIMENSIONS.

**JUST MANUFACTURING COMPANY**

9233 KING STREET . FRANKLIN PARK . ILLINOIS . 60131-2111

PH: 847-678-5150 . FAX: 847-678-6817 . E-MAIL: [custserv@justmfg.com](mailto:custserv@justmfg.com) . [www.justmfg.com](http://www.justmfg.com)