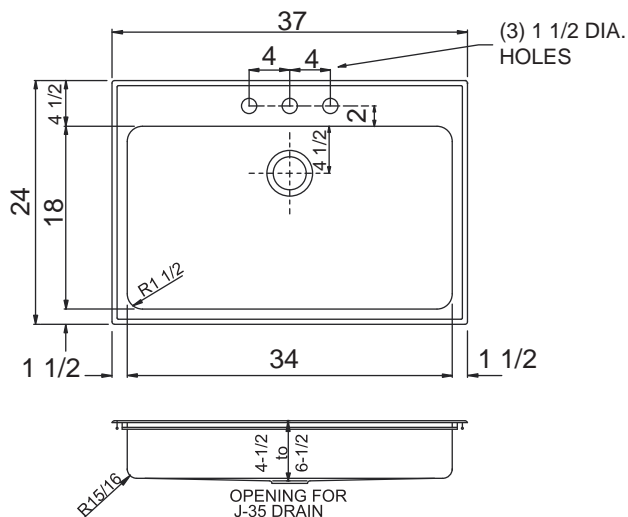




# ARB-ADA - 2437-A-GR-T

## INSTITUTIONAL GROUP ADA COMPLIANT ART ROOM SINKS with FITTINGS 18 GAUGE



**17.08**  
Gallon  
Capacity\*

**\*CAPACITY MATTERS**

Max. I.D. sizing with straight-sided, non-tapered bowl configuration. Tight corner radius design. Capacity based on 6-1/2" depth.

Seamless welded construction of 18 gauge type 304 stainless steel. Interior and top surfaces polished to a non-porous Hand Blended Just Finish. Smooth, fully coated underside insulate for sound and reduces condensation. Straight sided compartment with 1-3/4" radius corners provides greater capacity. Self-rimming top mount with Grip-Rim Plus with stainless steel mounting channels. Drain punched for Just J-35-SSF drain centered. Certified to ASME A112.19.3/CSA B45.4; UPC; IPC.



Sink certified to ASME A112.19.3/CSA B45.4; Uniform Plumbing Code (UPC); International Plumbing Code (IPC), by NSF International. Certified with/without overflow, less fittings.

Sink certified compliant with 2010 ADA Standards for Accessible Design and ICC/ANSI A117.1 by NSF International.



FAUCET PUNCHING - MUST BE SPECIFIED				
<input type="checkbox"/>	(1) Hole Centered			
<input type="checkbox"/>	(2) Holes on 4" centers			
<input type="checkbox"/>	(3) Holes on 4" centers (illustrated)			
<input type="checkbox"/>	Alternate Punching: Faucet Model:	Punching Required:		
DEPTH - MUST BE SPECIFIED:				
<input type="checkbox"/>	4 1/2" DEEP	<input type="checkbox"/>	5" DEEP	<input type="checkbox"/>
<input type="checkbox"/>	5-1/2" DEEP	<input type="checkbox"/>	6" DEEP	<input type="checkbox"/>
<input type="checkbox"/>	6-1/2" DEEP			
DRAIN LOCATION - MUST BE SPECIFIED:				
<input type="checkbox"/>	CENTER	<input type="checkbox"/>	CENTER REAR	<input type="checkbox"/>
<input type="checkbox"/>	LEFT REAR	<input type="checkbox"/>	RIGHT REAR	

CUTOUT DIMENSIONS		
Model Number	Front-to-Back	Left-to-Right
ARB-ADA-2437-A-GR-T	23-1/4	36-1/4

APPROVED FOR MANUFACTURING

MODEL NO.: **ARB-ADA-2437-A-GR-T** QTY: \_\_\_\_\_

JOB NAME: \_\_\_\_\_

TAG/ITEM: \_\_\_\_\_

CUSTOMER: \_\_\_\_\_

SIGNATURE: \_\_\_\_\_

**INCLUDES**



**J-1174-KS Faucet**  
Concealed mixing faucet with 5-1/2" reach, PVD chrome swivel gooseneck spout with 2.2 GPM flow restricting aerator. Wrist blade handles, 4", indexed hot and cold.



**J-35-SSF Drain**  
Type 304 stainless steel drain body, stainless steel flat strainer and 1-1/2" O.D. stainless steel tailpiece, 4" long.

JUST MFG. COMPANY CONTINUES TO MAKE QUALITY AND FUNCTIONALITY A MARK OF THE JUST PRODUCT LINE. WE RESERVE THE RIGHT TO CHANGE PRODUCT INFORMATION WITHOUT NOTICE. DIMENSIONS MAY CHANGE AND MAY BE SUBJECT TO CHANGE WITHOUT NOTICE. NO RESPONSIBILITY IS ASSUMED FOR USE OF SUPERCEDED OR VOIDED DATA. JUST MFG. CO. SINKS ARE MADE IN THE U.S.A. WHEN COMPARING OTHER BRAND PRODUCTS, BE SURE TO COMPARE USA QUALITY ALONG WITH FEATURES AND DIMENSIONS.

SUBMITTAL DATA

**JUST MANUFACTURING COMPANY**

9233 KING STREET . FRANKLIN PARK . ILLINOIS . 60131-2111

PH: 847-678-5150 . FAX: 847-678-6817 . E-MAIL: [custserv@justmfg.com](mailto:custserv@justmfg.com) . [www.justmfg.com](http://www.justmfg.com)