



# ARB-2451-A-GR-T

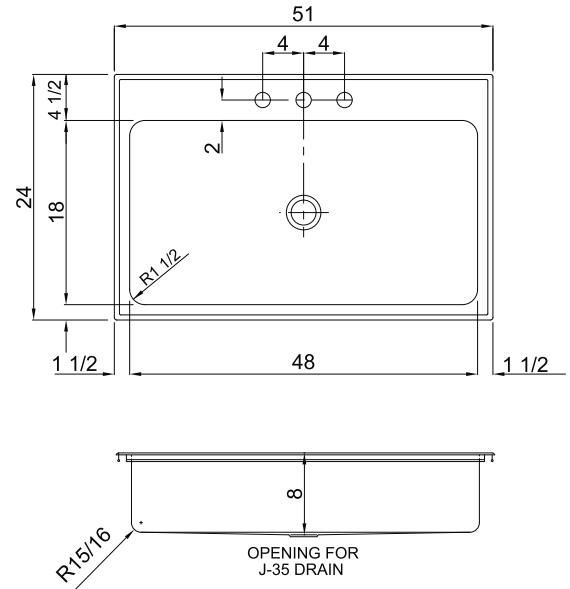
**INSTITUTIONAL GROUP**  
ART ROOM SINKS with FITTINGS

**SUBMITTAL DATA**



**29.75**  
Gallon  
Capacity\*

**\*CAPACITY MATTERS**  
Max. I.D. sizing with straight-sided, non-tapered bowl configuration. Tight corner radius design.



## SPECIFICATION

Seamless welded construction of 18 gauge type 304 stainless steel. Faucet flange at rear of compartment. Interior and top surfaces polished to a non-porous Hand Blended Just Finish. Fully coated underside insulates for sound and reduces condensation. Straight sided compartment with 1-1/2" radius corners provides greater capacity. Self-rimming top mount with Grip-Rim Plus stainless steel mounting channels. Drain punched for Just J-35-SSF drain. Certified to ASME A112.19.3/CSA B45.4; UPC; IPC.



Sink certified to ASME A112.19.3/CSA B45.4; Uniform Plumbing Code (UPC); International Plumbing Code (IPC), by NSF International. Certified less fittings.



CUTOUT DIMENSIONS		
Model Number	Front-to-Back	Left-to-Right
ARB-2451-A-GR-T	23-1/4	50-1/4

## INCLUDES

### J-1174-KS Faucet

Concealed mixing faucet with 5-1/2" reach, PVD chrome swivel gooseneck spout with 1.5 GPM flow restricting aerator. Wrist blade handles, 4", indexed hot and cold. Certified to NSF 372 - Low lead

### J-35-SSF Drain

Type 304 stainless steel drain body, stainless steel flat strainer and 1-1/2" O.D. stainless steel tailpiece, 4" long.



**J-1174-KS Faucet**



**J-35-SSF Drain**

JUST MFG. COMPANY CONTINUES TO MAKE QUALITY AND FUNCTIONALITY A MARK OF THE JUST PRODUCT LINE. WE RESERVE THE RIGHT TO CHANGE PRODUCT INFORMATION WITHOUT NOTICE. DIMENSIONS MAY CHANGE AND MAY BE SUBJECT TO CHANGE WITHOUT NOTICE. NO RESPONSIBILITY IS ASSUMED FOR USE OF SUPERCEDED OR VOIDED DATA. JUST MFG. CO. SINKS ARE MADE IN THE U.S.A. WHEN COMPARING OTHER BRAND PRODUCTS, BE SURE TO COMPARE USA QUALITY ALONG WITH FEATURES AND DIMENSIONS.

APPROVED FOR MANUFACTURING

MODEL NO.: **ARB-2451-A-GR-T** QTY: \_\_\_\_\_

JOB NAME: \_\_\_\_\_

TAG/ITEM: \_\_\_\_\_

CUSTOMER: \_\_\_\_\_

SIGNATURE: \_\_\_\_\_

**JUST MANUFACTURING COMPANY**

9233 KING STREET . FRANKLIN PARK . ILLINOIS . 60131-2111

PH: 847-678-5150

FAX: 847-678-6817

E-MAIL: [custserv@justmfg.com](mailto:custserv@justmfg.com)

[www.justmfg.com](http://www.justmfg.com)