



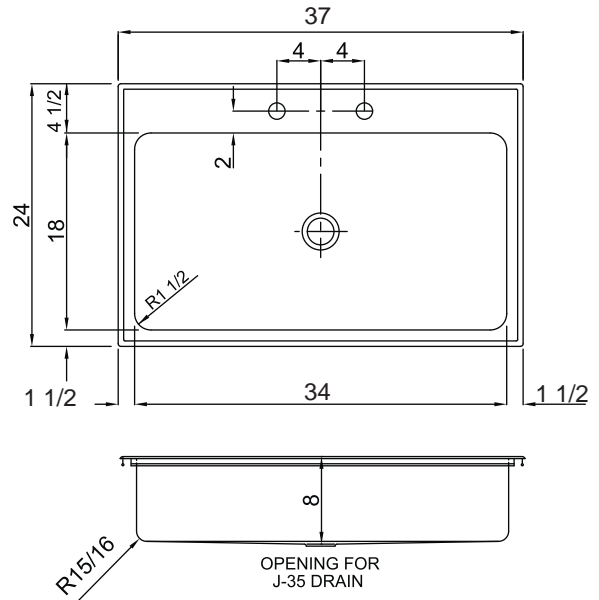
ARB-2437-A-GR-T

INSTITUTIONAL GROUP ART ROOM SINKS with FITTINGS

SUBMITTAL DATA



21.04 Gallon Capacity* ***CAPACITY MATTERS**
Max. I.D. sizing with straight-sided, non-tapered bowl configuration. Tight corner radius design.



SPECIFICATION

Seamless welded construction of 18 gauge type 304 stainless steel. Interior and top surfaces polished to a non-porous Hand Blended Just Finish. Fully coated underside insulates for sound and reduces condensation. Straight sided compartment with 1-1/2" radius corners provides greater capacity. Self-rimming top mount with Grip-Rim Plus stainless steel mounting channels. Drain punched for Just J-35-SSF drain. Certified to ASME A112.19.3/CSA B45.4; UPC; IPC.

| CUTOUT DIMENSIONS | | |
|-------------------|---------------|---------------|
| Model Number | Front-to-Back | Left-to-Right |
| ARB-2437-A-GR-T | 23-1/4 | 36-1/4 |



Sink certified to ASME A112.19.3/CSA B45.4; Uniform Plumbing Code (UPC); International Plumbing Code (IPC), by NSF International. Certified less fittings.



INCLUDES



J-1174-KS Faucet
Concealed mixing faucet with 5-1/2" reach, PVD chrome swivel gooseneck spout with 2.2 GPM flow restricting aerator. Wrist blade handles, 4", indexed hot and cold.



J-35-SSF Drain
Type 304 stainless steel drain body, stainless steel flat strainer and 1-1/2" O.D. stainless steel tailpiece, 4" long.

APPROVED FOR MANUFACTURING

MODEL NO.: **ARB-2437-A-GR-T** QTY: _____

JOB NAME: _____

TAG/ITEM: _____

CUSTOMER: _____

SIGNATURE: _____

JUST MFG. COMPANY CONTINUES TO MAKE QUALITY AND FUNCTIONALITY A MARK OF THE JUST PRODUCT LINE. WE RESERVE THE RIGHT TO CHANGE PRODUCT INFORMATION WITHOUT NOTICE. DIMENSIONS MAY CHANGE AND MAY BE SUBJECT TO CHANGE WITHOUT NOTICE. NO RESPONSIBILITY IS ASSUMED FOR USE OF SUPERCEDED OR VOIDED DATA. JUST MFG. CO. SINKS ARE MADE IN THE U.S.A. WHEN COMPARING OTHER BRAND PRODUCTS, BE SURE TO COMPARE USA QUALITY ALONG WITH FEATURES AND DIMENSIONS.

JUST MANUFACTURING COMPANY

9233 KING STREET . FRANKLIN PARK . ILLINOIS . 60131-2111

PH: 847-678-5150 . FAX: 847-678-6817 . E-MAIL: custserv@justmfg.com . www.justmfg.com