

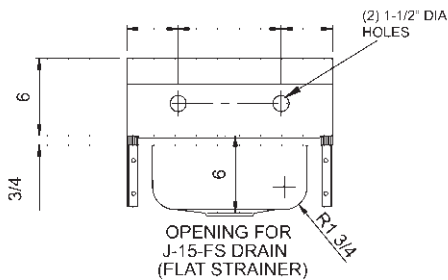
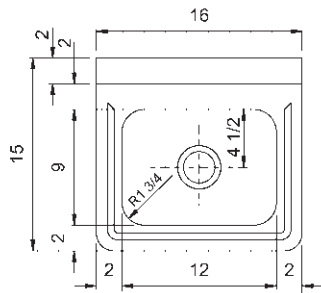


# A-544-912

## INSTITUTIONAL GROUP WALL-MOUNT HANDWASH SINK



A-544-912-T



**A-544-912-TA**  
**A-544-912-T**  
**A-544-912**

### SPECIFICATION - HANDWASH SINK NO ENDSPLASHES

Fabricated of 20 gauge type 304 stainless steel. Exposed surfaces polished with a Hand-Blended Just Finish. Integral support bracket at rear. Includes one 14 gauge stainless steel wall clip.

### SPECIFICATION - HANDWASH SINK W/ ENDSPLASHES

Fabricated of 20 gauge type 304 stainless steel. Exposed surfaces polished with a Hand-Blended Just Finish. Endsplashes 6" high large radius edge. (Designated by "2E" in suffix) Support integral to endsplashes with keyhole mount. Includes one 14 gauge stainless steel wall clip.

**JS-45-TGA** gooseneck faucet with aerator. Spout has 3-1/2" reach, and measures 5-1/2" from inlet centerline to top of spout. (4" O.C. supply).

**JS-47-TGSA** backsplash mounted gooseneck faucet and aerator, with 4-1/16" spout reach. 10-3/16" from inlet centerline to top of spout (8" O.C. supply).

**J-15-FS** Chrome plated brass drain with flat grid strainer. 1-1/2" O.D. chrome plated tailpiece, 4" long.

**JT-150** P-Trap Solid, non adjustable cast brass P-trap with brass slip nut. Hex head cleanout to have neoprene O-ring and top to be flush with inside bottom of J-bend.

The following model does not include faucets and fittings.

**A-544-912**

	Model No.	Faucet	Drain	Trap
<input type="checkbox"/>	A-544-912-TA	JS-45-TGA	J-15-FS	JTN-150
<input type="checkbox"/>	A-544-912-T	JS-47-TGSA	J-15-FS	JTN-150
<input type="checkbox"/>	A-544-912	NONE	NONE	NONE
<input type="checkbox"/>	A-544-912-TA-2E	JS-45-TGA	J-15-FS	JTN-150
<input type="checkbox"/>	A-544-912-2E	NONE	J-15-FS	JTN-150

APPROVED FOR MANUFACTURING

MODEL NO.: A-544-912-TA-2E QTY: \_\_\_\_\_

JOB NAME: \_\_\_\_\_

TAG/ITEM: \_\_\_\_\_

CUSTOMER: \_\_\_\_\_

SIGNATURE: \_\_\_\_\_

JUST MFG. COMPANY CONTINUES TO MAKE QUALITY AND FUNCTIONALITY A MARK OF THE JUST PRODUCT LINE. TO DO SO REQUIRES THAT WE RESERVE THE RIGHT TO CHANGE PRODUCT INFORMATION WITHOUT NOTICE. DIMENSIONS MAY VARY AND ARE SUBJECT TO CHANGE WITHOUT NOTICE. NO RESPONSIBILITY IS ASSUMED FOR USE OF SUPERCEDED OR VOIDED DATA. FOR THE MOST CURRENT AND ACCURATE INFORMATION REGARDING THE COMPLETE LINE OF JUST SINKS, FAUCETS AND DRAINS, CLICK ON THE **SPEC LINE DRAWINGS** LINK ON OUR WEB SITE AT [www.justmfg.com](http://www.justmfg.com)

**JUST MANUFACTURING COMPANY**

9233 KING STREET . FRANKLIN PARK . ILLINOIS . 60131-2111

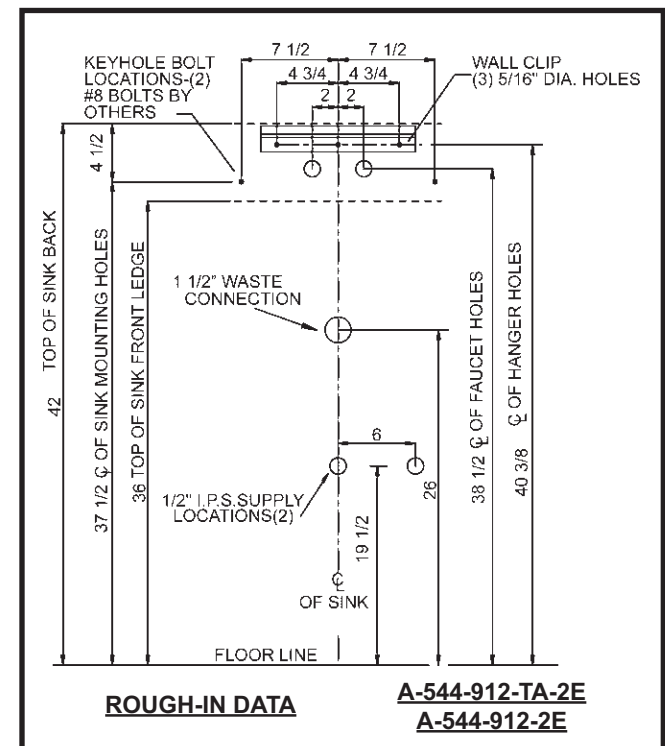
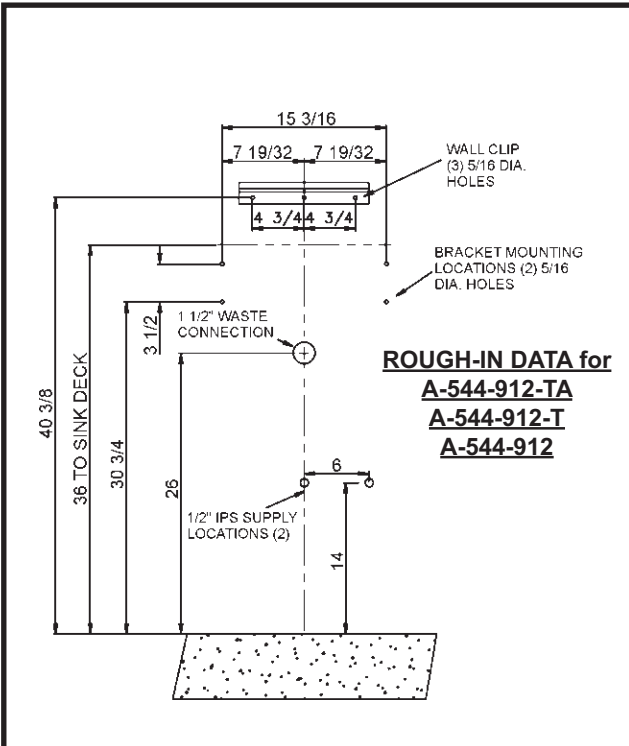
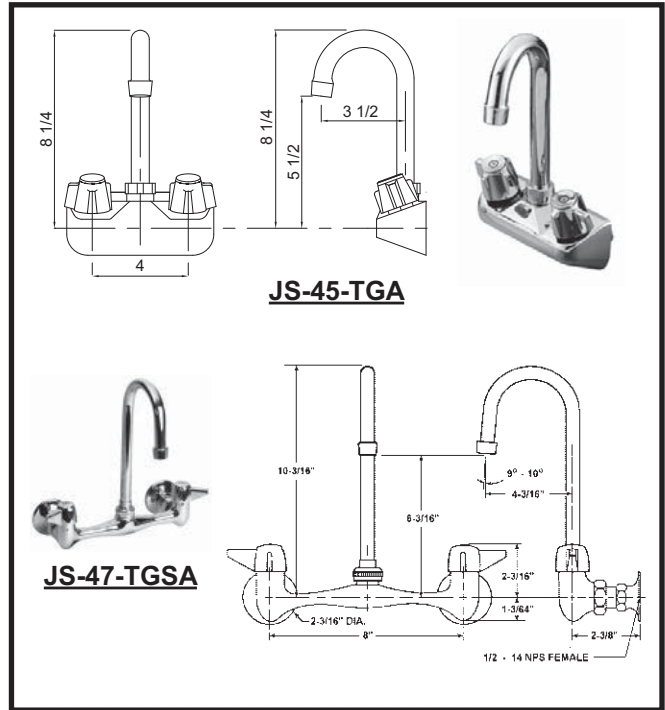
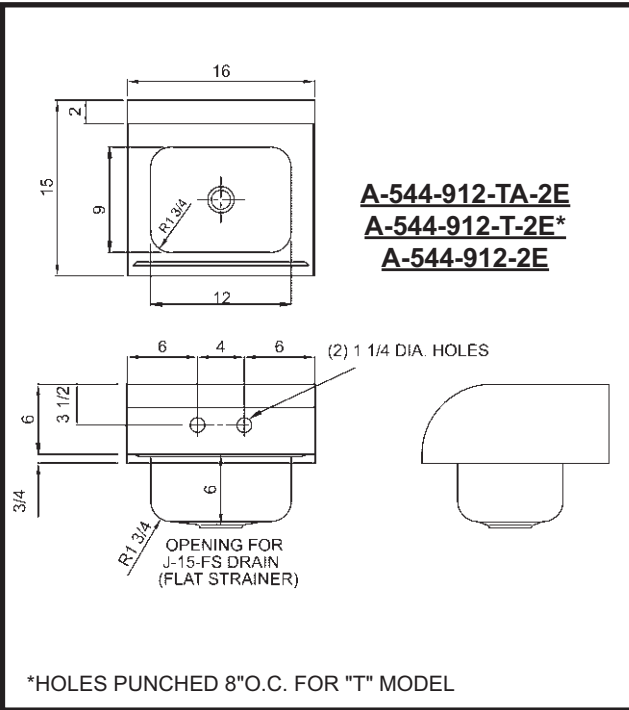
PH: 847-678-5150 . FAX: 847-678-6817 . E-MAIL: [custserv@justmfg.com](mailto:custserv@justmfg.com) . [www.justmfg.com](http://www.justmfg.com)



# A-544-912

## INSTITUTIONAL GROUP WALL-MOUNT HANDWASH SINK

SUBMITTAL DATA



JUST MANUFACTURING COMPANY

9233 KING STREET . FRANKLIN PARK . ILLINOIS . 60131-2111

PH: 847-678-5150 . FAX: 847-678-6817 . E-MAIL: custserv@justmfg.com . www.justmfg.com