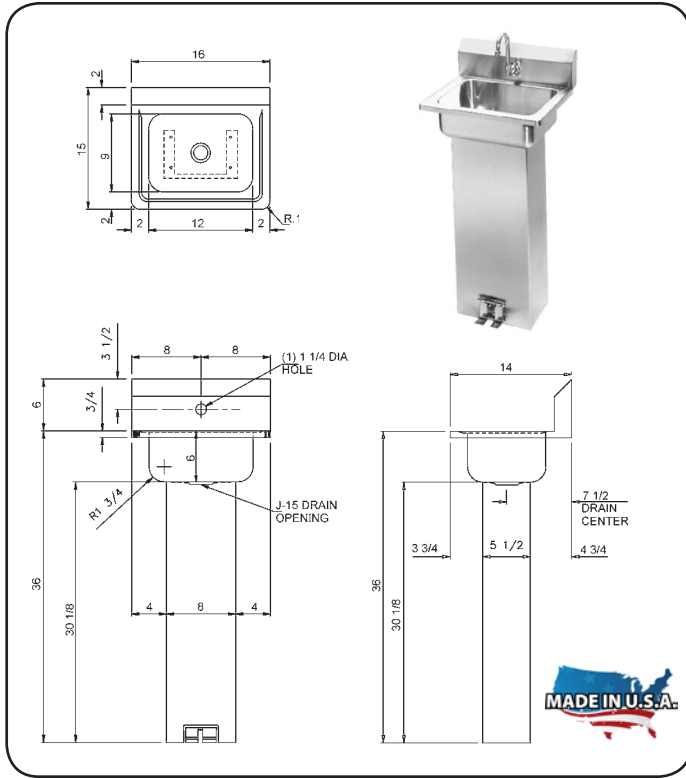




A-544-912-PT-V

INSTITUTIONAL GROUP HANDWASH SINK with PEDESTAL BASE

SUBMITTAL DATA



SPECIFICATION

HANDWASH SINK with PEDESTAL

Sink fabricated of 20 gauge type 304 stainless steel. Pedestal of 18 gauge type 304 stainless steel. Exposed surfaces polished with a Hand-Blended Just Finish. Pedestal support of 18 gauge stainless steel. Includes one 14 gauge stainless steel wall clip.

JFVC-301

floor mounted dual pedal operated self closing foot valves. 1/2" inlets on 1-1/4" centers. Polished chrome pedals with rough chrome valve body. 1/2" outlet. Includes JS-10 wall-mounted spout.

J-15-FS

Chrome plated brass drain with flat grid strainer. 1-1/2" O.D. chrome plated tailpiece, 4" long.

JT-150

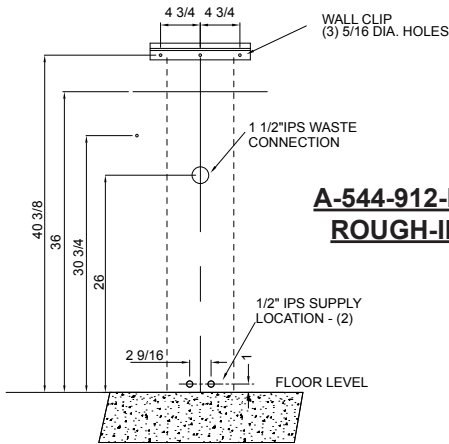
P-Trap Solid, non adjustable cast brass P-trap with brass slip nut. Hex head cleanout to have neoprene O-ring and top to be flush with inside bottom of J-bend.



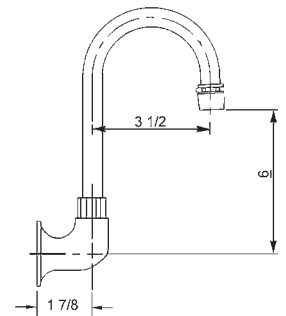
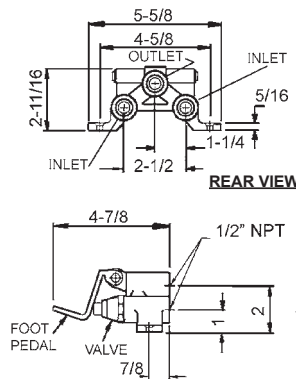
JFVC-301



JS-10



A-544-912-PT ROUGH-IN



APPROVED FOR MANUFACTURING

MODEL NO.: **A-544-912-PT-V** QTY: _____

JOB NAME: _____

TAG/ITEM: _____

CUSTOMER: _____

SIGNATURE: _____



JUST MFG. COMPANY CONTINUES TO MAKE QUALITY AND FUNCTIONALITY A MARK OF THE JUST PRODUCT LINE. TO DO SO REQUIRES THAT WE RESERVE THE RIGHT TO CHANGE PRODUCT INFORMATION WITHOUT NOTICE. DIMENSIONS MAY VARY AND ARE SUBJECT TO CHANGE WITHOUT NOTICE. NO RESPONSIBILITY IS ASSUMED FOR USE OF SUPERCEDED OR VOIDED DATA. FOR THE MOST CURRENT AND ACCURATE INFORMATION REGARDING THE COMPLETE LINE OF JUST SINKS, FAUCETS AND DRAINS, CLICK ON THE **SPEC LINE DRAWINGS** LINK ON OUR WEB SITE AT www.justmfg.com

JUST MANUFACTURING COMPANY

9233 KING STREET . FRANKLIN PARK . ILLINOIS . 60131-2111

PH: 847-678-5150 . FAX: 847-678-6817 . E-MAIL: custserv@justmfg.com . www.justmfg.com