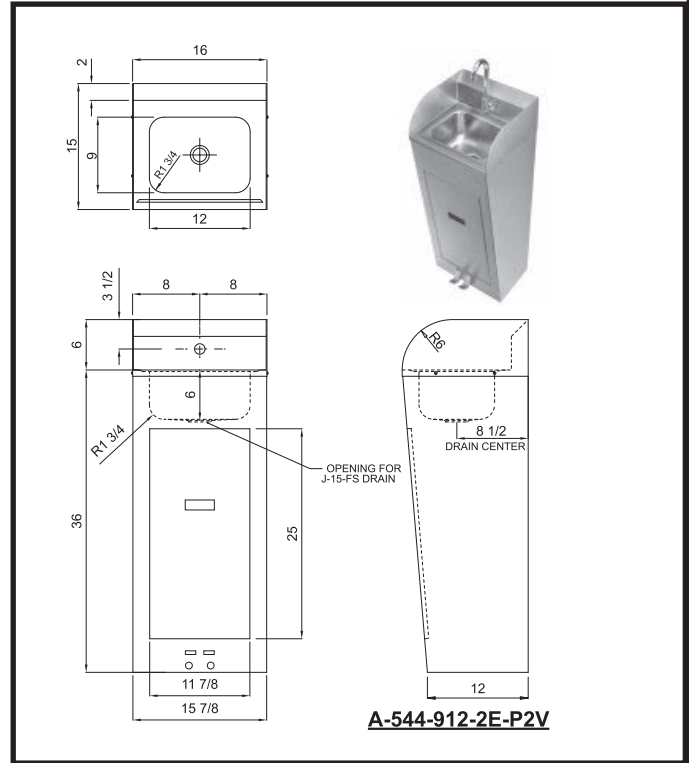
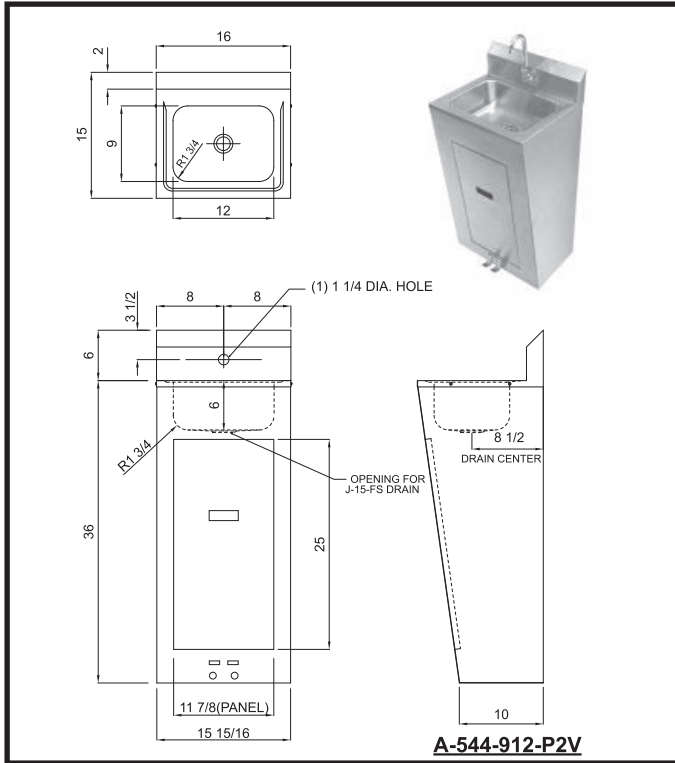




A-544-912-P2-V - Series

INSTITUTIONAL GROUP PEDESTAL MOUNT - HANDWASH SINK with FOOT PEDAL VALVE

SUBMITTAL DATA



SPECIFICATION

HANDWASH SINK with PEDESTAL -NO ENDSPLASHES

Sink fabricated of 20 gauge type 304 stainless steel. Pedestal of 18 gauge type 304 stainless steel with removeable access panel. Exposed surfaces polished with a Hand-Blended Just Finish. Includes one 14 gauge stainless steel wall clip. Pedestal provided with keyhole mount at wall, and provisions to simplify attachment to wall. Pedestal to be sealed to wall after installation by installer.

SPECIFICATION

HANDWASH SINK with PEDESTAL and ENDSPLASHES

Sink fabricated of 20 gauge type 304 stainless steel. Pedestal of 18 gauge type 304 stainless steel with removeable access panel. Exposed surfaces polished with a Hand-Blended Just Finish. Endsplashes 6" high large radius edge. (Designated by "2E" in suffix) Support integral to endsplashes with keyhole mount. Includes one 14 gauge stainless steel wall clip. Pedestal provided with keyhole mount at wall, and provisions to simplify attachment to wall. Pedestal to be sealed to wall after installation by installer.

	Model No.	Faucet	Drain	Trap
<input type="checkbox"/>	A-544-912-2E-P2-V	JFVC-301 ¹	J-15-FS	JT-150
<input type="checkbox"/>	A-544-912-P2-V	JFVC-301 ¹	J-15-FS	JT-150

¹ Includes JS-10 wall mount spout.

JFVC-301 floor mounted dual pedal operated self closing foot valves. 1/2" inlets on 1-1/4" centers. Polished chrome pedals with rough chrome valve body. 1/2" outlet. Includes JS-10 wall-mounted spout.

J-15-FS Chrome plated brass drain with flat grid strainer. 1-1/2" O.D. chrome plated tailpiece, 4" long.

JT-150 P-Trap Solid, non adjustable cast brass P-trap with brass slip nut. Hex head cleanout to have neoprene O-ring and top to be flush with inside bottom of J-bend.

APPROVED FOR MANUFACTURING

MODEL NO.: **A-544-912-P2-V** QTY: _____

JOB NAME: _____

TAG/ITEM: _____

CUSTOMER: _____

SIGNATURE: _____



JUST MFG. COMPANY CONTINUES TO MAKE QUALITY AND FUNCTIONALITY A MARK OF THE JUST PRODUCT LINE. WE RESERVE THE RIGHT TO CHANGE PRODUCT INFORMATION WITHOUT NOTICE. DIMENSIONS MAY CHANGE AND MAY BE SUBJECT TO CHANGE WITHOUT NOTICE. NO RESPONSIBILITY IS ASSUMED FOR USE OF SUPERCEDED OR VOIDED DATA. JUST MFG. CO. SINKS ARE MADE IN THE U.S.A. WHEN COMPARING OTHER BRAND PRODUCTS, BE SURE TO COMPARE USA QUALITY ALONG WITH FEATURES AND DIMENSIONS.

JUST MANUFACTURING COMPANY

9233 KING STREET . FRANKLIN PARK . ILLINOIS . 60131-2111

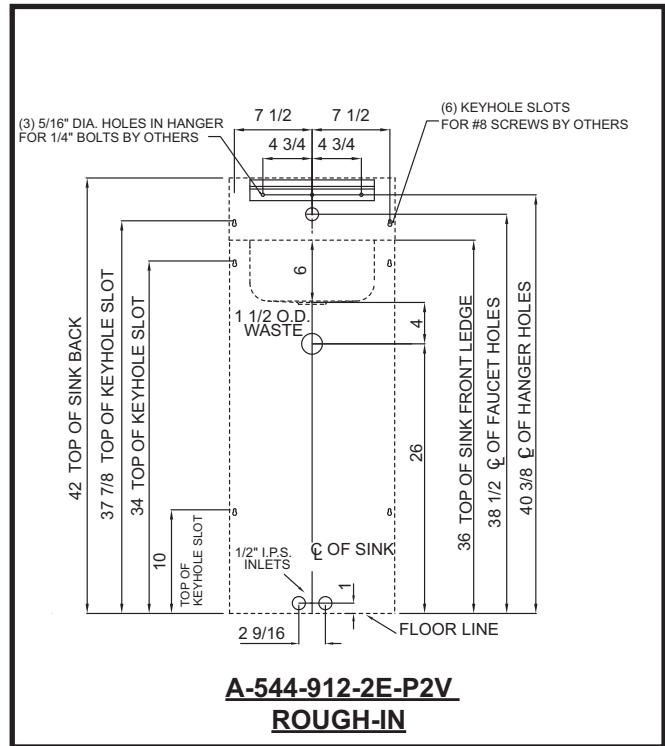
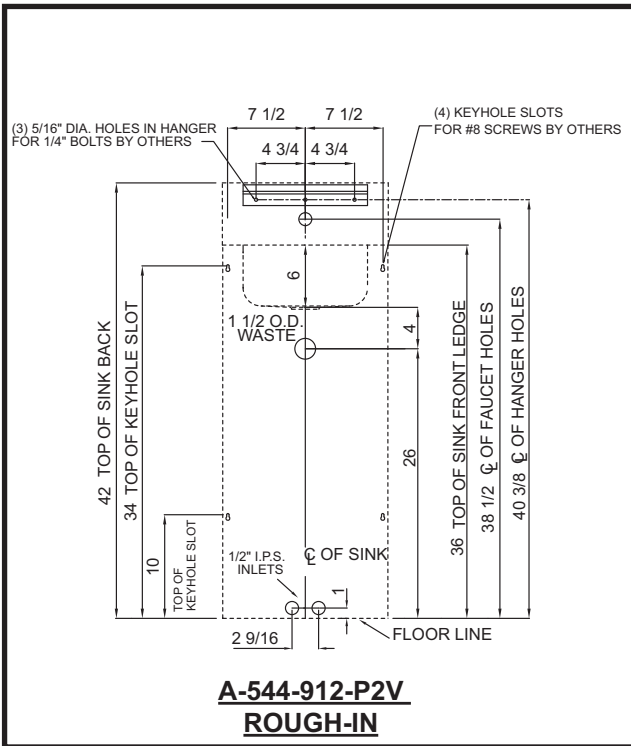
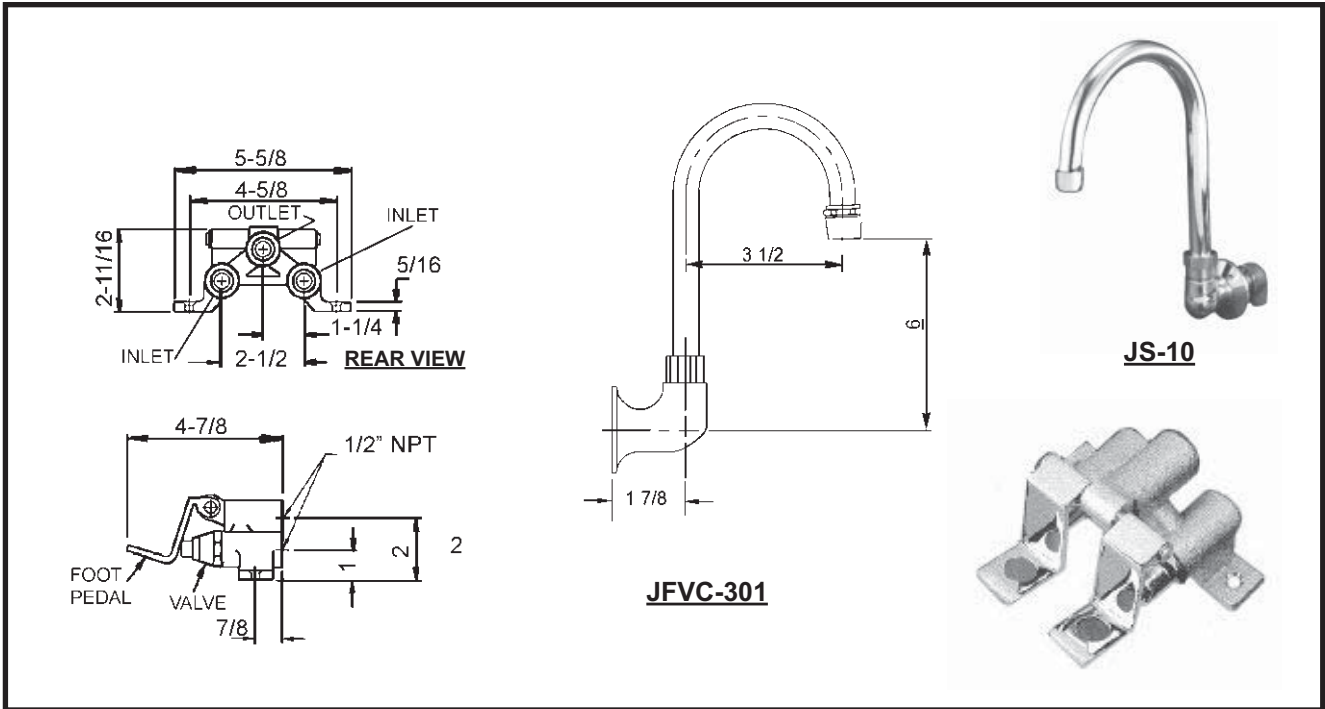
PH: 847-678-5150 . FAX: 847-678-6817 . E-MAIL: custserv@justmfg.com . www.justmfg.com



A-544-912-P2-V - Series

INSTITUTIONAL GROUP PEDESTAL MOUNT - HANDWASH SINK with FOOT PEDAL VALVE

SUBMITTAL DATA



JUST MANUFACTURING COMPANY

9233 KING STREET . FRANKLIN PARK . ILLINOIS . 60131-2111

PH: 847-678-5150 . FAX: 847-678-6817 . E-MAIL: custerserv@justmfg.com . www.justmfg.com