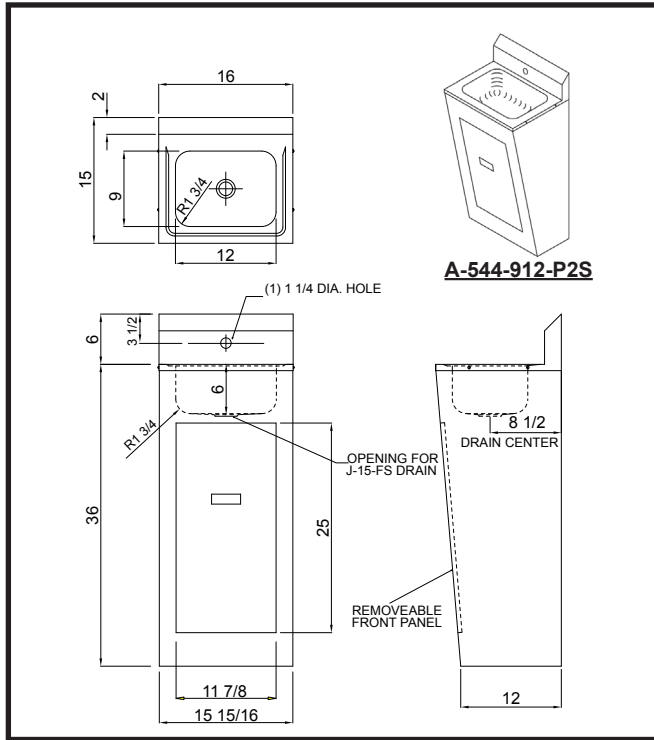




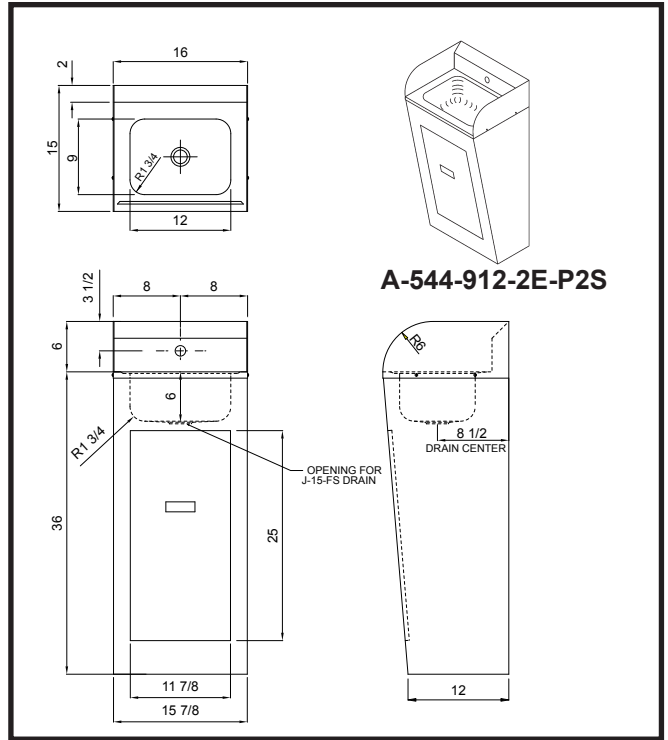
# A-544-912-P2S / 2E-P2S / 2E

## INSTITUTIONAL GROUP HANDWASH SINK with SENSOR FAUCET

SUBMITTAL DATA



**A-544-912-P2S**



**A-544-912-2E-P2S**

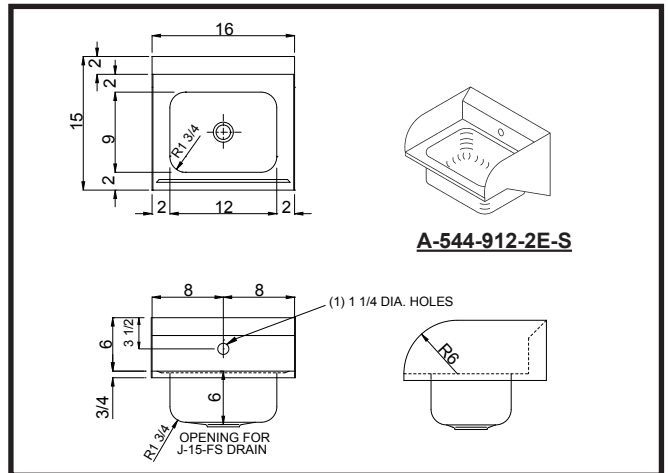
**SPECIFICATION**

**HANDWASH SINK with PEDESTAL -NO ENDSPLASHES**

Sink fabricated of 20 gauge type 304 stainless steel. Pedestal of 18 gauge type 304 stainless steel with removeable access panel. Exposed surfaces polished with a Hand-Blended Just Finish. Includes one 14 gauge stainless steel wall clip. Pedestal provided with keyhole mount at wall, and provisions to simplify attachment to wall. Pedestal to be sealed to wall after installation by installer.

**HANDWASH SINK with PEDESTAL and ENDSPLASHES**

Sink fabricated of 20 gauge type 304 stainless steel. Pedestal of 18 gauge type 304 stainless steel with removeable access panel. Exposed surfaces polished with a Hand-Blended Just Finish. Endsplashes 6" high large radius edge. (Designated by "2E" in suffix) Support integral to endsplashes with keyhole mount. Includes one 14 gauge stainless steel wall clip. Pedestal provided with keyhole mount at wall, and provisions to simplify attachment to wall. Pedestal to be sealed to wall after installation by installer.



**A-544-912-2E-S**



APPROVED FOR MANUFACTURING

MODEL NO.: \_\_\_\_\_ QTY: \_\_\_\_\_

JOB NAME: \_\_\_\_\_

TAG/ITEM: \_\_\_\_\_

CUSTOMER: \_\_\_\_\_

SIGNATURE: \_\_\_\_\_

**FAUCET - Must be specified**

JSL-46-AC - w/plug-in power adapter

JSL-46-B - w/battery holder

	Model No.	Faucet	Drain	Trap
<input type="checkbox"/>	A-544-912-P2-S	JSL-46	J-15-FS	JTN-150
<input type="checkbox"/>	A-544-912-2E-P2-S	JSL-46	J-15-FS	JTN-150
<input type="checkbox"/>	A-544-912-2E-S	JSL-46	J-15-FS	JTN-150

JUST MFG. COMPANY CONTINUES TO MAKE QUALITY AND FUNCTIONALITY A MARK OF THE JUST PRODUCT LINE. TO DO SO REQUIRES THAT WE RESERVE THE RIGHT TO CHANGE PRODUCT INFORMATION WITHOUT NOTICE. DIMENSIONS MAY VARY AND ARE SUBJECT TO CHANGE WITHOUT NOTICE. NO RESPONSIBILITY IS ASSUMED FOR USE OF SUPERCEDED OR VOIDED DATA. FOR THE MOST CURRENT AND ACCURATE INFORMATION REGARDING THE COMPLETE LINE OF JUST SINKS, FAUCETS AND DRAINS, CLICK ON THE **SPEC LINE DRAWINGS** LINK ON OUR WEB SITE AT [www.justmfg.com](http://www.justmfg.com)

**JUST MANUFACTURING COMPANY**

9233 KING STREET . FRANKLIN PARK . ILLINOIS . 60131-2111

PH: 847-678-5150 . FAX: 847-678-6817 . E-MAIL: [custserv@justmfg.com](mailto:custserv@justmfg.com) . [www.justmfg.com](http://www.justmfg.com)



SUBMITTAL DATA

# A-544-912-P2S / 2E-P2S / 2E

## INSTITUTIONAL GROUP

### HANDWASH SINK with SENSOR FAUCET

#### JSL-46-AC - Sensor Operated Faucet with Control Module

Sensor-operated backsplash mounted faucet. Chrome plated solid brass construction faucet body. Chrome plated spout 12-3/4" high from bottom of base (8-3/4" from base to aerator) with 5-3/8" reach. Laminar flow 2.0GPM aerator.

Control module AC vandal resistant with armored control/power cable. Power adapter, standard plug-in type, provides 12V DC output. Slow closing solenoid valve, piston-operated, provides reliable smooth operation without water hammer. In-line filter with clean-out trap. Sensor range adjustable from 6" to 30". Automatic time-out feature adjustable from 0(preset-active until no activity sensed) up to 60 seconds in 15 second intervals. Shut-off delay adjustable to 0, 1(preset), 2,4 or 8 seconds.

Battery powered unit available. Specifications same as above, except provides 6V DC and includes battery holder for four AA batteries in lieu of plug-in power adapter.

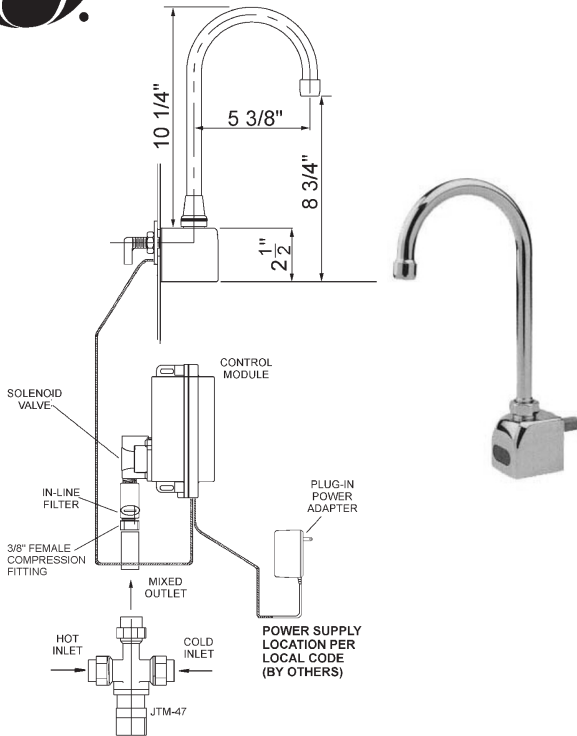
#### JTM47 - Thermostatic Mixing Valve

Anti-Scald mixing valve with bronze body with integral check valves and adjustment cap with locking feature. 1/2" threaded union inlet and outlet connections. Temperature range from 60 to 120 F(16 C to 49 C). ASSE Standard 1016 Listed.

**JTN-150** P-Trap Solid, non adjustable cast brass P-trap with brass slip nut. Hex head cleanout to have neoprene O-ring and top to be flush with inside bottom of J-bend.

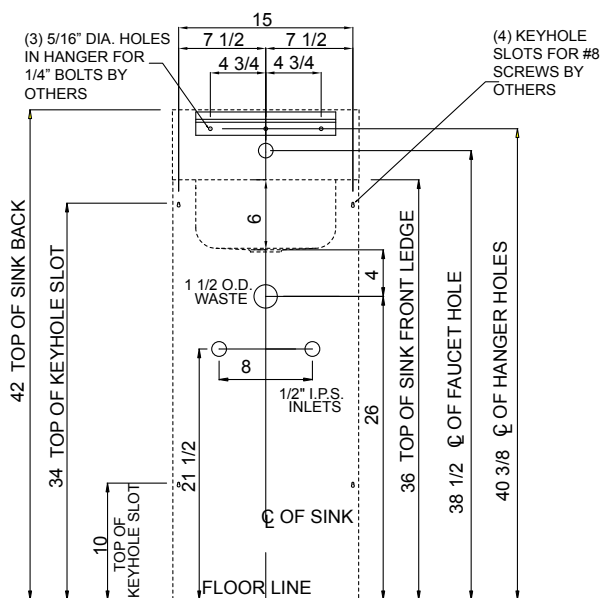
#### J-15-FS Drain

Chrome plated brass drain with flat grid strainer. 1-1/2"O.D. chrome plated tailpiece, 4" long.

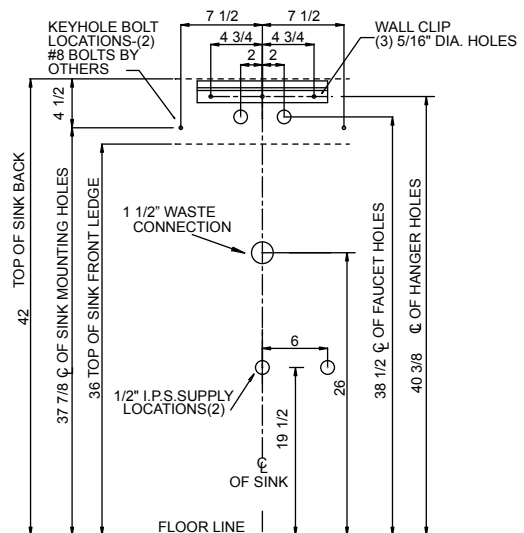


**AC OUTLET MUST BE INSTALLED ACCORDING TO LOCAL CODES. INSTALLATION CONTRACTOR RESPONSIBLE FOR COMPLIANCE WITH THOSE CODES.**

### ROUGH-IN DATA for A-544-912-P2-S / A-544-912-2E-P2S A-544-912-2E-S



### ROUGH-IN DATA for A-544-912-2E-S



JUST MANUFACTURING COMPANY

9233 KING STREET . FRANKLIN PARK . ILLINOIS . 60131-2111

PH: 847-678-5150 . FAX: 847-678-6817 . E-MAIL: [custserv@justmfg.com](mailto:custserv@justmfg.com) . [www.justmfg.com](http://www.justmfg.com)