

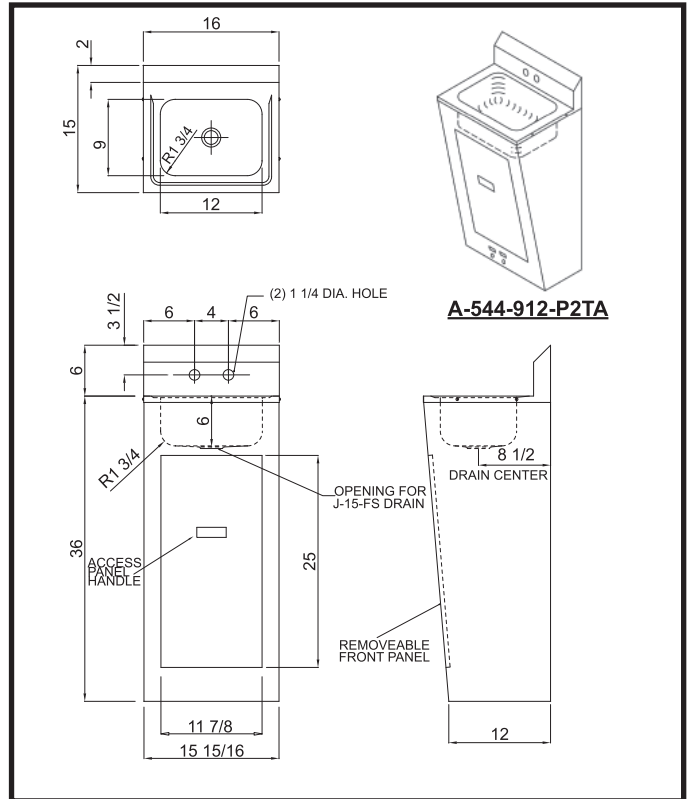
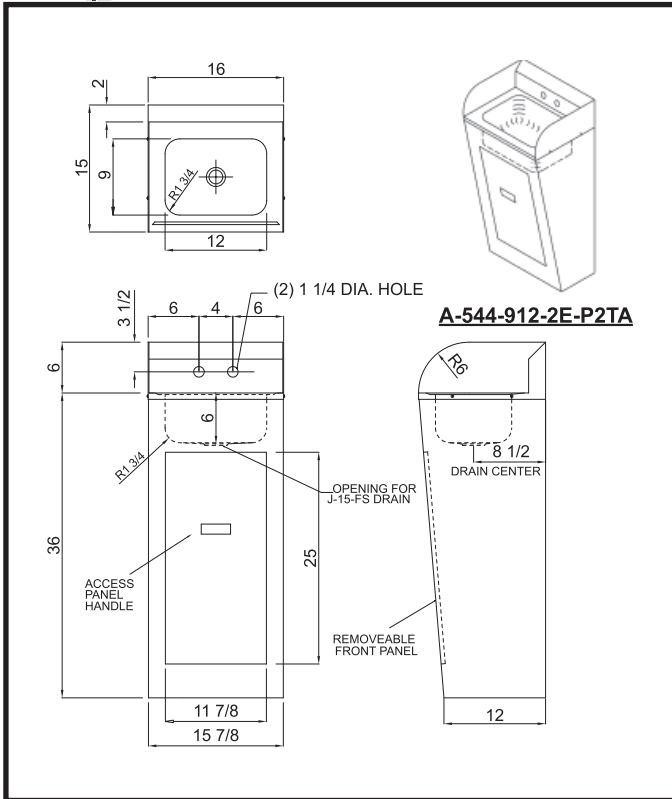


A-544-912-P2-TA - Series

INSTITUTIONAL GROUP

PEDESTAL MOUNT - HANDWASH SINK with FAUCET

SUBMITTAL DATA



SPECIFICATION

HANDWASH SINK with PEDESTAL -NO ENDSPLASHES

Sink fabricated of 20 gauge type 304 stainless steel. Pedestal of 18 gauge type 304 stainless steel with removeable access panel. Exposed surfaces polished with a Hand-Blended Just Finish. Includes one 14 gauge stainless steel wall clip. Pedestal provided with keyhole mount at wall, and provisions to simplify attachment to wall. Pedestal to be sealed to wall after installation by installer.

SPECIFICATION

HANDWASH SINK with PEDESTAL and ENDSPLASHES

Sink fabricated of 20 gauge type 304 stainless steel. Pedestal of 18 gauge type 304 stainless steel with removeable access panel. Exposed surfaces polished with a Hand-Blended Just Finish. Endsplashes 6" high large radius edge. (Designated by "2E" in suffix) Support integral to endsplashes with keyhole mount. Includes one 14 gauge stainless steel wall clip. Pedestal provided with keyhole mount at wall, and provisions to simplify attachment to wall. Pedestal to be sealed to wall after installation by installer.

	Model No.	Faucet	Drain	Trap
<input type="checkbox"/>	A-544-912-P2-TA	JS-45-TGA	J-15-FS	JTN-150
<input type="checkbox"/>	A-544-912-2E-P2-TA	JS-45-TGA	J-15-FS	JTN-150

JS-45-TGA gooseneck faucet with aerator. Spout has 3-1/2" reach, and measures 5-1/2" from inlet centerline to top of spout. (4" O.C. supply).

J-15-FS Chrome plated brass drain with flat grid strainer. 1-1/2" O.D. chrome plated tailpiece, 4" long.

JTN-150 P-Trap Solid, non adjustable cast brass P-trap with brass slip nut. Hex head cleanout to have neoprene O-ring and top to be flush with inside bottom of J-bend.

APPROVED FOR MANUFACTURING

MODEL NO.: A-544-912-2E-P2-TA QTY: _____

JOB NAME: _____

TAG/ITEM: _____

CUSTOMER: _____

SIGNATURE: _____



JUST MFG. COMPANY CONTINUES TO MAKE QUALITY AND FUNCTIONALITY A MARK OF THE JUST PRODUCT LINE. TO DO SO REQUIRES THAT WE RESERVE THE RIGHT TO CHANGE PRODUCT INFORMATION WITHOUT NOTICE. DIMENSIONS MAY VARY AND ARE SUBJECT TO CHANGE WITHOUT NOTICE. NO RESPONSIBILITY IS ASSUMED FOR USE OF SUPERCEDED OR VOIDED DATA. FOR THE MOST CURRENT AND ACCURATE INFORMATION REGARDING THE COMPLETE LINE OF JUST SINKS, FAUCETS AND DRAINS, CLICK ON THE **SPEC LINE DRAWINGS** LINK ON OUR WEB SITE AT www.justmfg.com

JUST MANUFACTURING COMPANY

9233 KING STREET . FRANKLIN PARK . ILLINOIS . 60131-2111

PH: 847-678-5150 . FAX: 847-678-6817 . E-MAIL: custserv@justmfg.com . www.justmfg.com

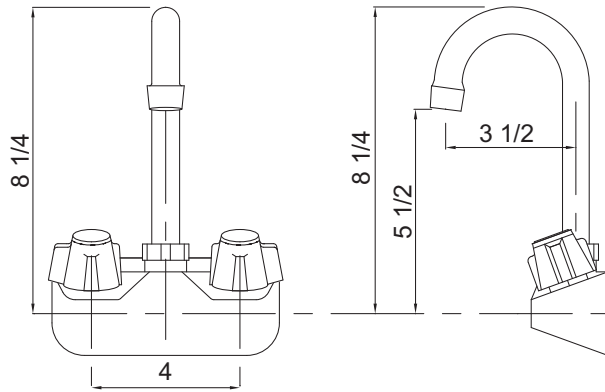


A-544-912-P2-TA - Series

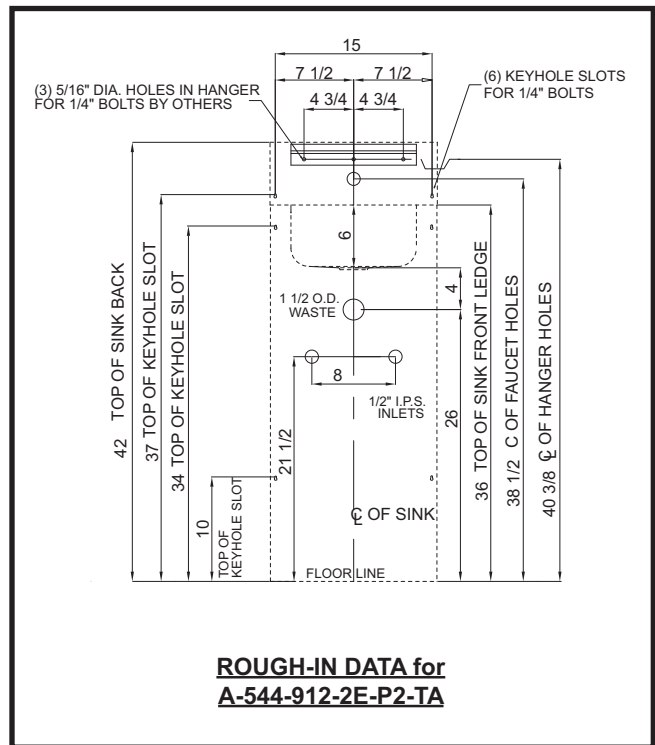
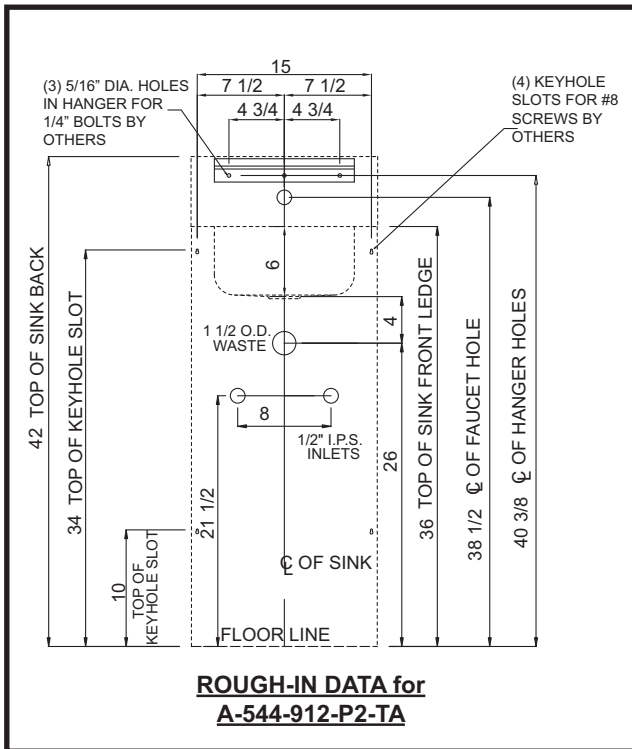
INSTITUTIONAL GROUP

PEDESTAL MOUNT - HANDWASH SINK with FAUCET

SUBMITTAL DATA



JS-45-TGA



JUST MANUFACTURING COMPANY

9233 KING STREET . FRANKLIN PARK . ILLINOIS . 60131-2111

PH: 847-678-5150 . FAX: 847-678-6817 . E-MAIL: custserv@justmfg.com . www.justmfg.com