



A-544-912-2E

INSTITUTIONAL GROUP

WALL-MOUNT HANDWASH SINK

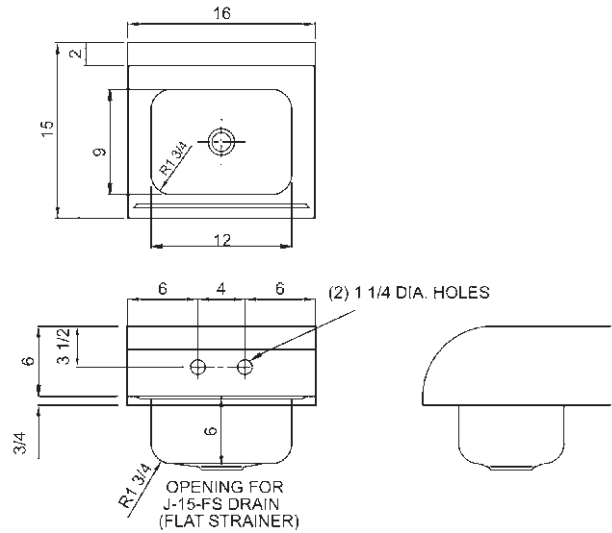
SUBMITTAL DATA



A-544-912-TA-2E

SPECIFICATION - HANDWASH SINK

Fabricated of 20 gauge type 304 stainless steel. Exposed surfaces polished with a Hand-Blended Just Finish. Endsplashes 6" high large radius edge. (Designated by "2E" in suffix) Support integral to endsplashes with keyhole mount. Includes one 14 gauge stainless steel wall clip, drain and P-trap.



	Model No.	Faucet	Drain	Trap
<input type="checkbox"/>	A-544-912-TA-2E	JS-45-TGA	J-15-FS	JT-150
<input type="checkbox"/>	A-544-912-2E	NONE	J-15-FS	JT-150



APPROVED FOR MANUFACTURING

MODEL NO.: _____ QTY: _____

JOB NAME: _____

TAG/ITEM: _____

CUSTOMER: _____

SIGNATURE: _____

FUNCTIONAL DESIGN, QUALITY, AND SPECIFICATIONS LISTED DESCRIBE THE JUST STANDARD OF QUALITY. WHEN MAKING COMPARISONS WITH OTHER OFFERINGS, INSIST ON THE JUST QUALITY OF CONSTRUCTION. FOR ADDITIONAL INFORMATION REGARDING THE COMPLETE LINE OF **JUST** SINKS, FAUCETS AND DRAINS, VISIT OUR WEB SITE AT www.justmfg.com

JUST MANUFACTURING COMPANY

9233 KING STREET . FRANKLIN PARK . ILLINOIS . 60131-2111

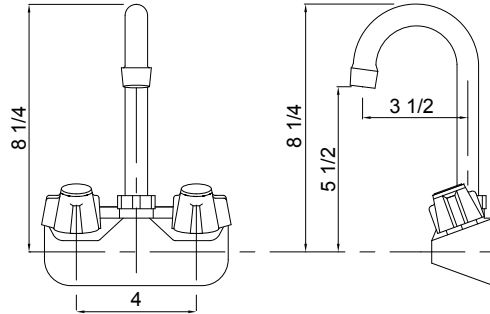
PH: 847-678-5150 . FAX: 847-678-6817 . E-MAIL: custserv@justmfg.com . www.justmfg.com



INSTITUTIONAL GROUP

A-544-912-2E ROUGH-IN DATA

SUBMITTAL DATA



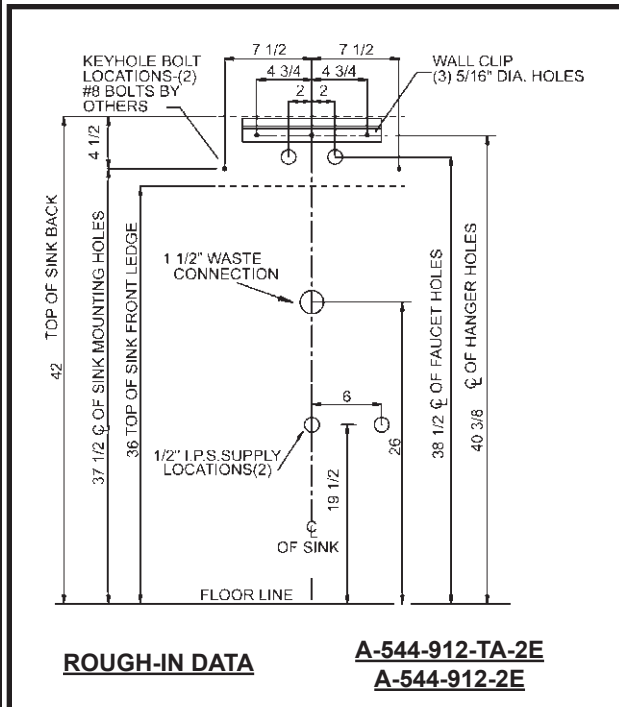
JS-45-TGA

JS-45-TGA gooseneck faucet with aerator. Spout has 3-1/2" reach, and measures 5-1/2" from inlet centerline to top of spout. (4" O.C. supply).



J-15-FS

Chrome plated brass drain with flat grid strainer. 1-1/2" O.D. chrome plated tailpiece.



ROUGH-IN DATA

A-544-912-TA-2E

A-544-912-2E



JTN-150

P-Trap Solid, non adjustable cast brass P-trap with brass slip nut. Hex head clean out to have neoprene O-ring and top to be flush with inside bottom of J-bend.

JUST MFG. COMPANY CONTINUES TO MAKE QUALITY AND FUNCTIONALITY A MARK OF THE JUST PRODUCT LINE. TO DO SO REQUIRES THAT WE RESERVE THE RIGHT TO CHANGE PRODUCT INFORMATION WITHOUT NOTICE. FOR THE MOST CURRENT AND ACCURATE INFORMATION REGARDING THE COMPLETE LINE OF JUST SINKS, FAUCETS AND DRAINS, CLICK ON THE **SPEC LINE DRAWINGS** LINK ON OUR WEB SITE AT www.justmfg.com

JUST MANUFACTURING COMPANY

9233 KING STREET . FRANKLIN PARK . ILLINOIS . 60131-2111

PH: 847-678-5150 . FAX: 847-678-6817

E-MAIL: custserv@justmfg.com . www.justmfg.com