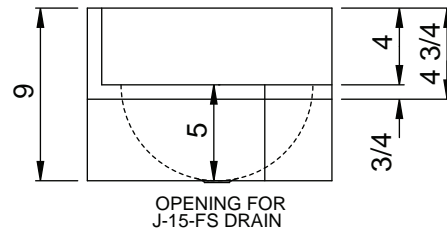
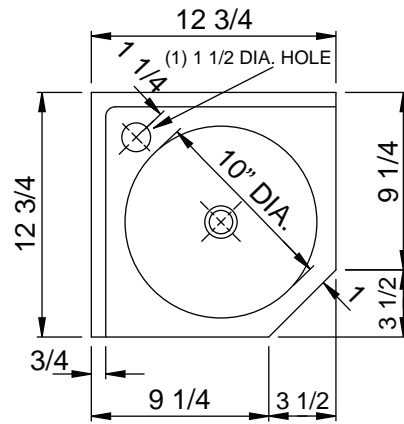




A-35929-T

INSTITUTIONAL GROUP CORNER LAVATORY WITH FITTINGS

SUBMITTAL DATA



SPECIFICATION

Top and bowl, welded construction of 18 gauge type 304 stainless steel. Apron constructed of 18 gauge type 304 stainless steel, spotwelded to top. Exposed surfaces polished with a Hand-Blended Just Finish. Underside coated to insulate for sound and reduce condensation. Furnished with two 14 gauge stainless steel wall clips. Drain punch #15 for Just J-15-FS drain.



Sink certified to ASME A112.19.3/CSA B45.4; Uniform Plumbing Code (UPC); International Plumbing Code (IPC), by NSF International. Certified less fittings.



FITTINGS INCLUDED

J-981 FAUCET: lavatory faucet has brass waterway with PVD chrome plated heavy brass body. Cartridge with ceramic sealing discs with temperature-limiting device. Handle die cast zinc with chrome plated finish. 2.0 GPM aerator. ADA Compliant; Meets ASME A112.18.1M; ANSI/NSF 61/9 Certified; IAPMO Listed.

J-15-FS DRAIN: Chrome plated brass drain with flat grid strainer. 1-1/2" O.D. chrome plated tailpiece, 4" long.



JUST MFG. COMPANY CONTINUES TO MAKE QUALITY AND FUNCTIONALITY A MARK OF THE JUST PRODUCT LINE. WE RESERVE THE RIGHT TO CHANGE PRODUCT INFORMATION WITHOUT NOTICE. DIMENSIONS MAY CHANGE AND MAY BE SUBJECT TO CHANGE WITHOUT NOTICE. NO RESPONSIBILITY IS ASSUMED FOR USE OF SUPERCEDED OR VOIDED DATA. JUST MFG. CO. SINKS ARE MADE IN THE U.S.A. WHEN COMPARING OTHER BRAND PRODUCTS, BE SURE TO COMPARE USA QUALITY ALONG WITH FEATURES AND DIMENSIONS.

APPROVED FOR MANUFACTURING

MODEL NO.: **A-35929-T** QTY: _____

JOB NAME: _____

TAG/ITEM: _____

CUSTOMER: _____

SIGNATURE: _____

JUST MANUFACTURING COMPANY

9233 KING STREET . FRANKLIN PARK . ILLINOIS . 60131-2111

PH: 847-678-5150 . FAX: 847-678-6817 . E-MAIL: custserv@justmfg.com . www.justmfg.com



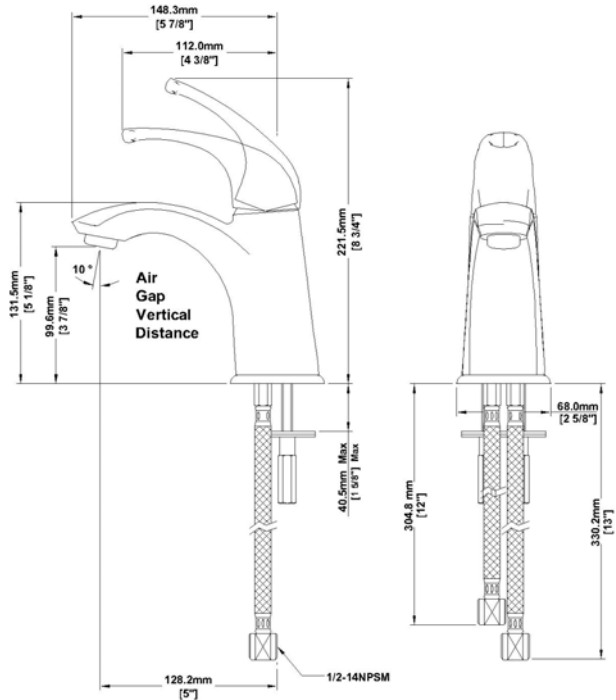
A-35929-T

INSTITUTIONAL GROUP CORNER LAVATORY WITH FITTINGS

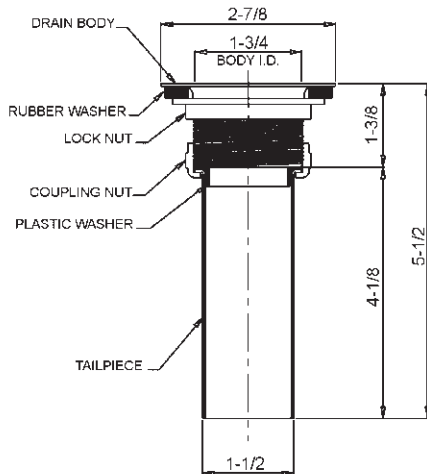
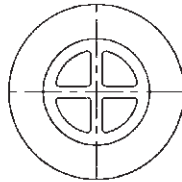
SUBMITTAL DATA



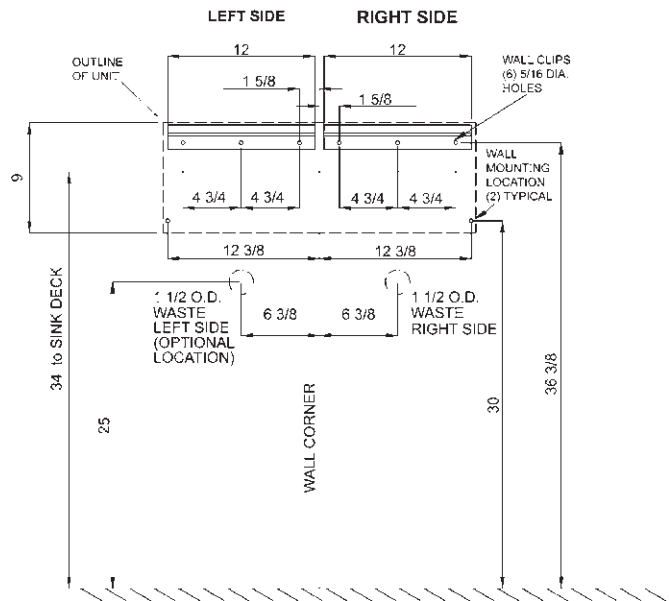
J-981 FAUCET: lavatory faucet has brass waterway with PVD chrome plated heavy brass body. Cartridge with ceramic sealing discs with temperature-limiting device. Handle die cast zinc with chrome plated finish. 2.0 GPM aerator. ADA Compliant; Meets ASME A112.18.1M; ANSI/NSF 61/9 Certified; IAPMO Listed.



J-15-FS DRAIN: Chrome plated brass drain with flat grid strainer. 1-1/2" O.D. chrome plated tailpiece, 4" long.



A-35929 ROUGH-IN DATA



JUST MANUFACTURING COMPANY

9233 KING STREET . FRANKLIN PARK . ILLINOIS . 60131-2111

PH: 847-678-5150 . FAX: 847-678-6817 . E-MAIL: custserv@justmfg.com . www.justmfg.com