



# A-35929-S

## INSTITUTIONAL GROUP CORNER LAVATORY WITH SENSOR PACKAGE

SUBMITTAL DATA

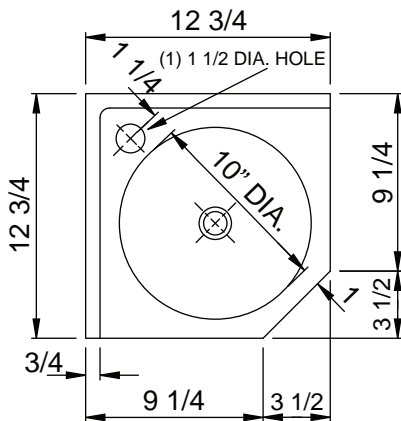


### SPECIFICATION

Top and bowl, welded construction of 18 gauge type 304 stainless steel. Apron constructed of 18 gauge type 304 stainless steel, spotwelded to top. Exposed surfaces polished with a Hand-Blended Just Finish. Underside coated to insulate for sound and reduce condensation. Furnished with two 14 gauge stainless steel wall clips. Drain punch #15 for Just J-15-FS drain.



Sink certified to ASME A112.19.3/CSA B45.4; Uniform Plumbing Code (UPC); International Plumbing Code (IPC), by NSF International. Certified less fittings.



### FITTINGS INCLUDED

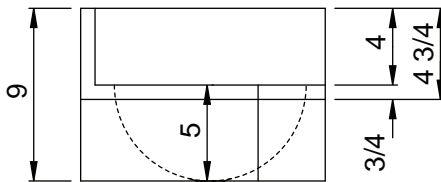
#### JSL-150 -

Sensor-operated deck mounted lavatory faucet with chrome plated, solid, all metal construction. Includes faucet, sensor assembly, slow-closing solenoid valve, plug-in power adapter or battery powered control module.

#### JTM-47 - Thermostatic Mixing Valve

Anti-Scald mixing valve with bronze body with integral check valves and adjustment cap with locking feature. Temperature range from 60 to 120 F (16 C to 49 C). ASSE Standard 1016 Listed.

**J-15-FS DRAIN:** Chrome plated brass drain with flat grid strainer. 1-1/2" O.D. chrome plated tailpiece, 4" long



OPENING FOR J-15-FS DRAIN

FAUCET - Must be specified	
JSL-150-AC - w/plug-in power adapter	
JSL-150-B - w/battery holder	



JSL-150



J-15-FS DRAIN

APPROVED FOR MANUFACTURING

MODEL NO.: **A-35929-S** QTY: \_\_\_\_\_

JOB NAME: \_\_\_\_\_

TAG/ITEM: \_\_\_\_\_

CUSTOMER: \_\_\_\_\_

SIGNATURE: \_\_\_\_\_

JUST MFG. COMPANY CONTINUES TO MAKE QUALITY AND FUNCTIONALITY A MARK OF THE JUST PRODUCT LINE. WE RESERVE THE RIGHT TO CHANGE PRODUCT INFORMATION WITHOUT NOTICE. DIMENSIONS MAY CHANGE AND MAY BE SUBJECT TO CHANGE WITHOUT NOTICE. NO RESPONSIBILITY IS ASSUMED FOR USE OF SUPERCEDED OR VOIDED DATA. JUST MFG. CO. SINKS ARE MADE IN THE U.S.A. WHEN COMPARING OTHER BRAND PRODUCTS, BE SURE TO COMPARE USA QUALITY ALONG WITH FEATURES AND DIMENSIONS.

JUST MANUFACTURING COMPANY

9233 KING STREET . FRANKLIN PARK . ILLINOIS . 60131-2111

PH: 847-678-5150 . FAX: 847-678-6817 . E-MAIL: [custserv@justmfg.com](mailto:custserv@justmfg.com) . [www.justmfg.com](http://www.justmfg.com)



# A-35929-S

## INSTITUTIONAL GROUP CORNER LAVATORY WITH SENSOR PACKAGE

SUBMITTAL DATA



JSL-150



J-15-FS DRAIN

### JSL-150 - Sensor Operated Faucet with Control Module

Sensor-operated deck mounted lavatory faucet with chrome plated, solid, all metal construction. Includes faucet, sensor assembly, 6V DC slow-closing solenoid valve, plug-in power adapter, armored / vandal resistant faucet input power cable, one (1) 3/8" braided S.S. supply line, one (1) in-line filter, 0.5 GPM vandal resistant aerator. Meets ASME A112.18.1M; Certified to NSF 372- Low lead.

### Control module. AC or Battery

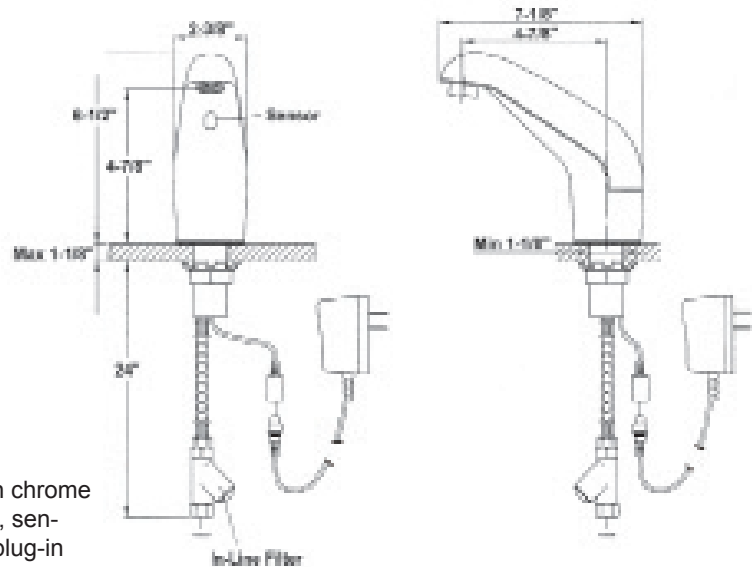
AC powered vandal resistant with armored control/power cable. Power adapter, standard plug-in type, provides 12V DC output (UL/CSA). Slow closing solenoid valve, piston-operated, provides reliable smooth operation without water hammer. In-line filter with clean-out trap. Sensor range adjustable from 6" to 30". Automatic time-out feature adjustable from 0(preset-active until no activity sensed) up to 60 seconds in 15 second intervals. Shut-off delay adjustable to 0, 1(preset), 2,4 or 8 seconds.

Battery powered unit available. Specifications same as above, except provides 6V DC (UL/CSA) and includes battery holder for four AA batteries in lieu of plug-in power adapter.

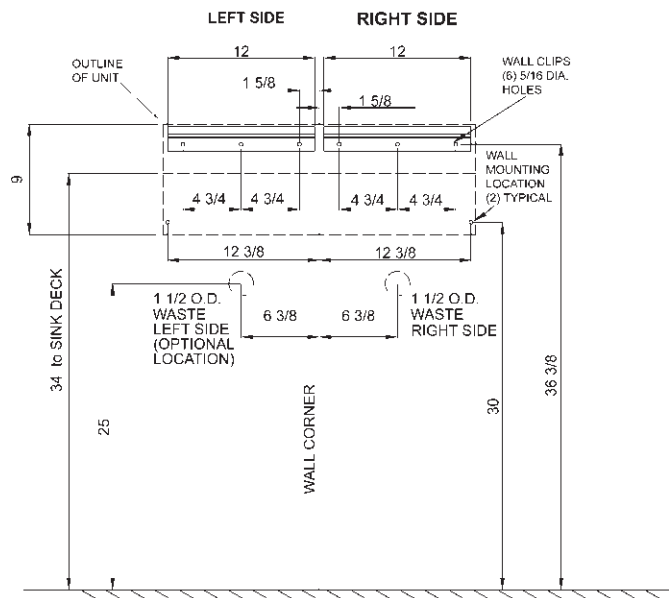
### JTM-47 - Thermostatic Mixing Valve

Anti-Scald mixing valve with bronze body with integral check valves and adjustment cap with locking feature. 1/2" threaded union inlet and outlet connections. Temperature range from 60 to 120 F(16 C to 49 C). ASSE Standard 1016 Listed.

**J-15-FS DRAIN:** Chrome plated brass drain with flat grid strainer. 1-1/2" O.D. chrome plated tailpiece, 4" long.



## A-35929 ROUGH-IN DATA



JUST MANUFACTURING COMPANY

9233 KING STREET . FRANKLIN PARK . ILLINOIS . 60131-2111

PH: 847-678-5150 . FAX: 847-678-6817 . E-MAIL: [custserv@justmfg.com](mailto:custserv@justmfg.com) . [www.justmfg.com](http://www.justmfg.com)