



# A-35929-14-S

## INSTITUTIONAL GROUP CORNER LAVATORY WITH SENSOR PACKAGE

SUBMITTAL DATA

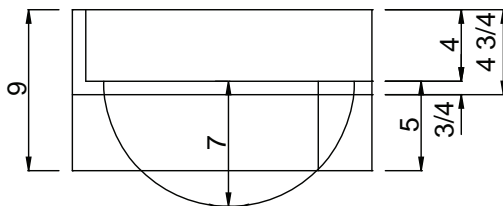
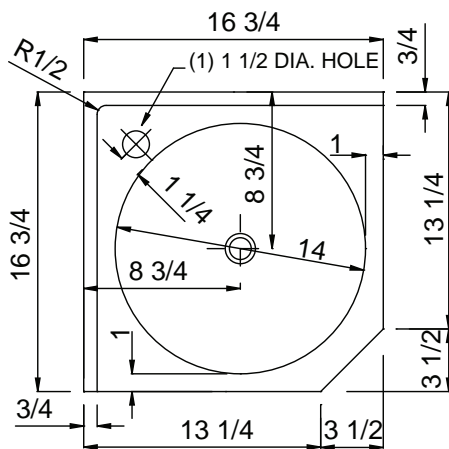


### SPECIFICATION

Top and bowl, welded construction of 18 gauge type 304 stainless steel. Apron constructed of 18 gauge type 304 stainless steel, spotwelded to top. Exposed surfaces polished with a Hand-Blended Just Finish. Underside coated to insulate for sound and reduce condensation. Furnished with two 14 gauge stainless steel wall clips. Drain punch #15 for Just J-15-FS drain.



Sink certified to ASME A112.19.3/CSA B45.4; Uniform Plumbing Code (UPC); International Plumbing Code (IPC), by NSF International. Certified less fittings.



OPENING FOR  
J-15-FS DRAIN



JSL-150



J-15-FS DRAIN

### FITTINGS INCLUDED

#### JSL-150

Sensor-operated deck mounted lavatory faucet with chrome plated, solid, all metal construction. Includes faucet, sensor assembly, slow-closing solenoid valve, plug-in power adapter or battery powered control module.

#### FAUCET - Must be specified

JSL-150-AC - w/plug-in power adapter
JSL-150-B - w/battery holder

#### JTM-47 - Thermostatic Mixing Valve

Anti-Scald mixing valve with bronze body with integral check valves and adjustment cap with locking feature. Temperature range from 60 to 120 F (16 C to 49 C). ASSE Standard 1016 Listed.

**J-15-FS DRAIN:** Chrome plated brass drain with flat grid strainer. 1-1/2" O.D. chrome plated tailpiece, 4" long.

JUST MFG. COMPANY CONTINUES TO MAKE QUALITY AND FUNCTIONALITY A MARK OF THE JUST PRODUCT LINE. WE RESERVE THE RIGHT TO CHANGE PRODUCT INFORMATION WITHOUT NOTICE. DIMENSIONS MAY CHANGE AND MAY BE SUBJECT TO CHANGE WITHOUT NOTICE. NO RESPONSIBILITY IS ASSUMED FOR USE OF SUPERCEDED OR VOIDED DATA. JUST MFG. CO. SINKS ARE MADE IN THE U.S.A. WHEN COMPARING OTHER BRAND PRODUCTS, BE SURE TO COMPARE USA QUALITY ALONG WITH FEATURES AND DIMENSIONS.

APPROVED FOR MANUFACTURING

MODEL NO.: **A-35929-14-S** QTY: \_\_\_\_\_

JOB NAME: \_\_\_\_\_

TAG/ITEM: \_\_\_\_\_

CUSTOMER: \_\_\_\_\_

SIGNATURE: \_\_\_\_\_

JUST MANUFACTURING COMPANY

9233 KING STREET . FRANKLIN PARK . ILLINOIS . 60131-2111

PH: 847-678-5150 . FAX: 847-678-6817 . E-MAIL: custserv@justmfg.com . www.justmfg.com



SUBMITTAL DATA

# A-35929-14-S

## INSTITUTIONAL GROUP CORNER LAVATORY WITH SENSOR PACKAGE



### JSL-150

#### Sensor Operated Faucet with Control Module

Sensor-operated deck mounted lavatory faucet with chrome plated, solid, all metal construction. Includes faucet, sensor assembly, 6V DC slow-closing solenoid valve, plug-in power adapter, armored / vandal resistant faucet input power cable, one (1) 3/8" braided S.S. supply line, one (1) in-line filter, 0.5 GPM vandal resistant aerator.

#### Control module, AC or Battery

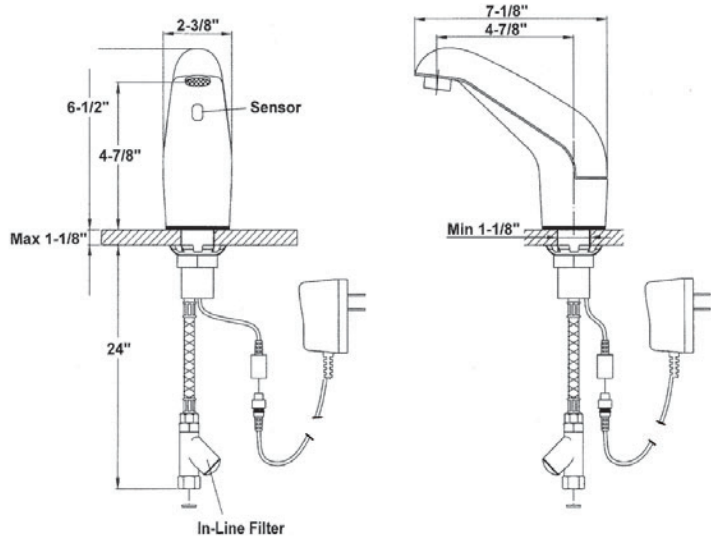
AC powered vandal resistant with armored control/power cable. Power adapter, standard plug-in type, provides 12V DC output. Slow closing solenoid valve, piston-operated, provides reliable smooth operation without water hammer. In-line filter with clean-out trap. Sensor range adjustable from 6" to 30". Automatic time-out feature adjustable from 0 (preset-active until no activity sensed) up to 60 seconds in 15 second intervals. Shut-off delay adjustable to 0, 1 (preset), 2, 4 or 8 seconds.

Battery powered unit available. Specifications same as above, except provides 6V DC and includes battery holder for four AA batteries in lieu of plug-in power adapter.

### JTM-47 - Thermostatic Mixing Valve

Anti-Scald mixing valve with bronze body with integral check valves and adjustment cap with locking feature. 1/2" sweat union inlet and outlet connections. Temperature range from 60 to 120 F (16 C to 49 C). ASSE Standard 1016 Listed.

**J-15-FS DRAIN:** Chrome plated brass drain with flat grid strainer. 1-1/2" O.D. chrome plated tailpiece, 4" long



## A-35929-14-S ROUGH-IN DATA

(Shown for Rough-In on Left OR Right Wall)

