



ADA
COMPLIANT

A-33338-S-SPD

INSTITUTIONAL GROUP WALL HUNG - LAVATORY with SENSOR-OPERATED FAUCET and FITTINGS PACKAGE

SUBMITTAL DATA

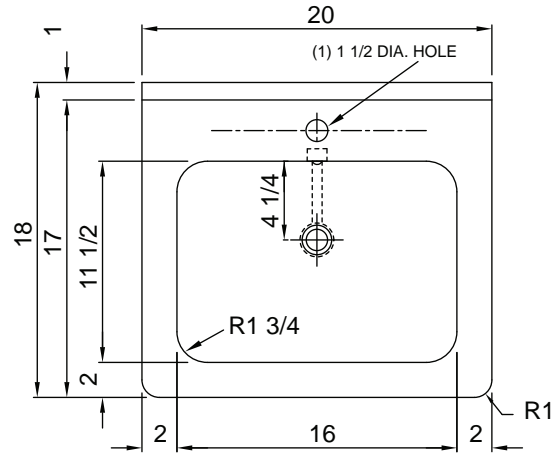


SPECIFICATION

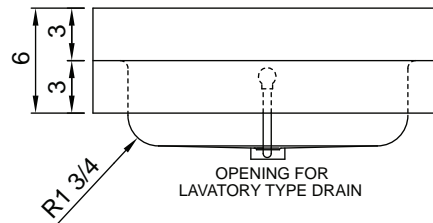
Seamless welded construction, fabricated of 18 gauge type 304 stainless steel, with integral-formed apron and backsplash. Exposed surfaces polished with Hand-Blended Just Finish. Underside coated to insulate for sound and reduce condensation. Drain punch for standard lavatory drain unless otherwise specified. Furnished with one stainless steel wall clip and integral flange for wall mounting.

Includes:

- (1) JSL-100 Sensor operated faucet.
- (1) JTM-47 Thermostatic mixing valve.
- (1) JSPD-801 Auto matic sensor activated soap dispenser.
- (1) J-ADA-115-FS flat grid lavatory drain.
- (1) JT-125 1-1/4" P-trap with cleanout.



WATER LEVEL IS 3 1/8"



FAUCET - Must be specified

| |
|--------------------------------------|
| JSL-100-AC - w/plug-in power adapter |
| JSL-100-B - w/battery holder |



C U.S.
ASME A112.19.3/CSA B45.4

Sink certified to ASME A112.19.3/CSA B45.4;
Uniform Plumbing Code (UPC); International
Plumbing Code (IPC).

APPROVED FOR MANUFACTURING

MODEL NO.: A-33338-S-SPD QTY: _____

JOB NAME: _____

TAG/ITEM: _____

CUSTOMER: _____

SIGNATURE: _____



JUST MFG. COMPANY CONTINUES TO MAKE QUALITY AND FUNCTIONALITY A MARK OF THE JUST PRODUCT LINE. TO DO SO REQUIRES THAT WE RESERVE THE RIGHT TO CHANGE PRODUCT INFORMATION WITHOUT NOTICE. DIMENSIONS MAY VARY AND ARE SUBJECT TO CHANGE WITHOUT NOTICE. NO RESPONSIBILITY IS ASSUMED FOR USE OF SUPERCEDED OR VOIDED DATA. FOR THE MOST CURRENT AND ACCURATE INFORMATION REGARDING THE COMPLETE LINE OF JUST SINKS, FAUCETS AND DRAINS, CLICK ON THE **SPEC LINE DRAWINGS** LINK ON OUR WEB SITE AT www.justmfg.com

JUST MANUFACTURING COMPANY

9233 KING STREET . FRANKLIN PARK . ILLINOIS . 60131-2111

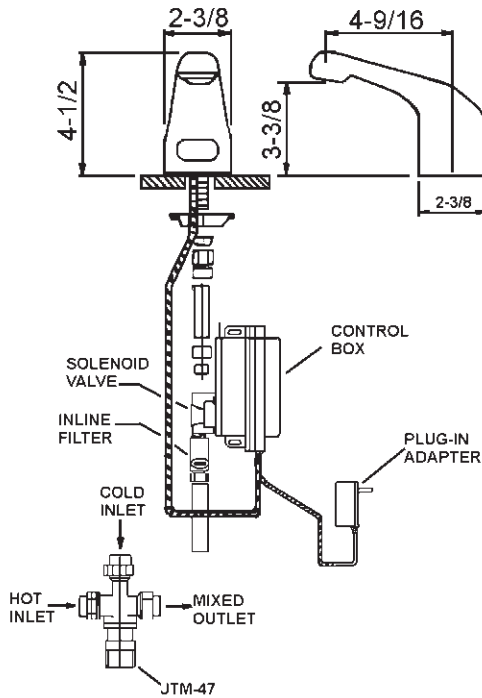
PH: 847-678-5150 . FAX: 847-678-6817 . E-MAIL: custserv@justmfg.com . www.justmfg.com



SUBMITTAL DATA

A-33338-S

INSTITUTIONAL GROUP WALL HUNG - LAVATORY with SENSOR-OPERATED FAUCET and FITTINGS PACKAGE



JSL-100-AC - Sensor Operated Faucet with Control Module

Sensor-operated deck mounted lavatory faucet. Chrome plated solid brass construction faucet body. Laminar flow 1.5 GPM aerator.



Control module, AC powered vandal resistant with armored control/power cable. Power adapter, standard plug in type, provides 12V DC output. Slow closing solenoid valve, piston-operated, provides reliable smooth operation without water hammer. In-line filter with clean-out trap. Sensor range adjustable from 6" to 30". Automatic time-out feature adjustable from 0(preset-active until no activity sensed) up to 60 seconds in 15 second intervals. Shut-off delay adjustable to 0, 1(preset), 2,4 or 8 seconds.

Battery powered unit available. Specifications same as above, except provides 6V DC and includes battery holder for four AA batteries in lieu of plug-in power adapter.

JTM-47 - Thermostatic Mixing Valve

Anti-Scald mixing valve with bronze body with integral check valves and adjustment cap with locking feature. 1/2" threaded union inlet and outlet connections. Temperature range from 60 to 120 F(16 C to 49 C). ASSE Standard 1016 Listed.

JSPD-801- Soap Dispenser

Automatic sensor operated soap dispenser. Easily removeable 900ml tank, easily removeable for refilling and maintenance. Wall mounted - **requires 12" clear space between sensor and stainless steel surfaces below.** Uses (6) AA batteries included.

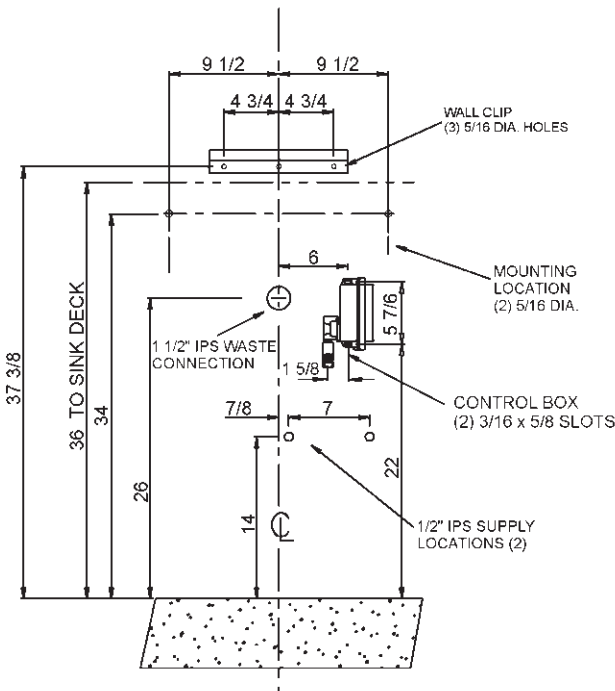
J-ADA-115-FS Drain

Polished chrome plated flat grid lavatory drain. Includes one piece 1-1/4" O.D. 17 gauge offset tailpiece.

JT-125 P-Trap

1-1/4" cast brass P-Trap with cleanout plug. Chrome plated.

AC OUTLET MUST BE INSTALLED ACCORDING TO LOCAL CODES. INSTALLATION CONTRACTOR RESPONSIBLE FOR COMPLIANCE WITH THOSE CODES.



JUST MFG. COMPANY CONTINUES TO MAKE QUALITY AND FUNCTIONALITY A MARK OF THE JUST PRODUCT LINE. TO DO SO REQUIRES THAT WE RESERVE THE RIGHT TO CHANGE PRODUCT INFORMATION WITHOUT NOTICE. FOR THE MOST CURRENT AND ACCURATE INFORMATION REGARDING THE COMPLETE LINE OF JUST SINKS, FAUCETS AND DRAINS, CLICK ON THE **SPEC LINE DRAWINGS** LINK ON OUR WEB SITE AT www.justmfg.com

JUST MANUFACTURING COMPANY

9233 KING STREET . FRANKLIN PARK . ILLINOIS . 60131-2111

PH: 847-678-5150 . FAX: 847-678-6817 . E-MAIL: custserv@justmfg.com . www.justmfg.com