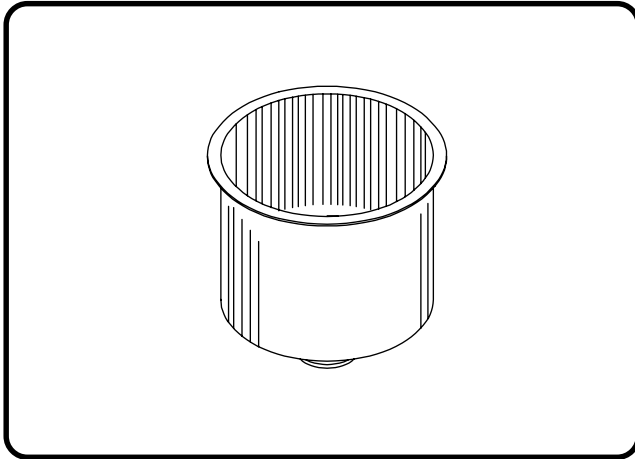




**INSTITUTIONAL GROUP**

**A-28065 / A-28066**

**ROUND CUP SINKS  
NON-SELF RIM**

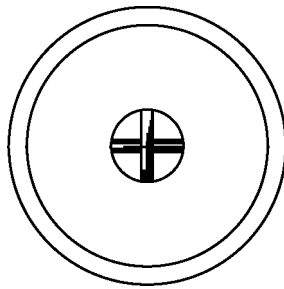


**SPECIFICATION**

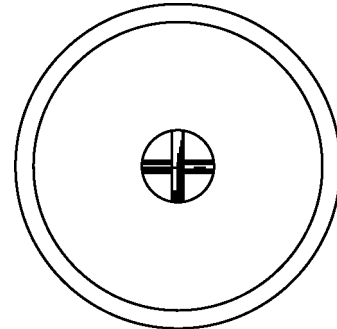
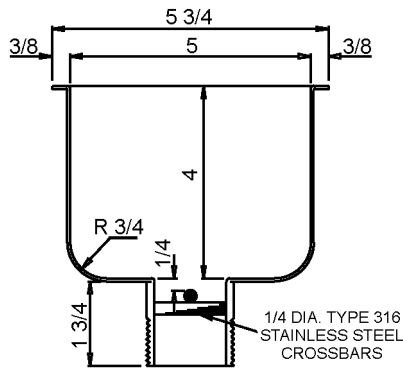
Fabricated of 16 gauge type 316 stainless steel. Interior surfaces and top flange polished to a Hand-Blended Just Finish. 1 1/2" I.P.S. type 316 stainless steel pipe with integral crossbar strainer. Conforms to ASME A112.19.3/CSA B45.4.



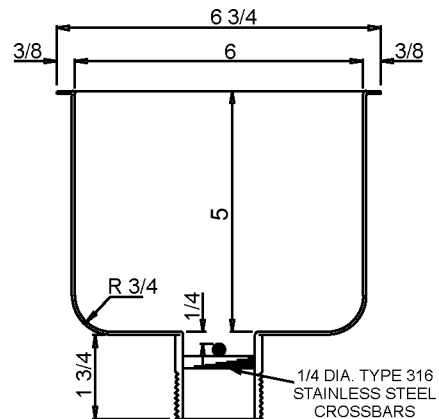
**SUBMITTAL DATA**



**A-28065 CUP SINK**



**A-28066 CUP SINK**



FUNCTIONAL DESIGN, QUALITY, AND SPECIFICATIONS LISTED DESCRIBE THE JUST STANDARD OF QUALITY. WHEN MAKING COMPARISONS WITH OTHER OFFERINGS, INSIST ON THE JUST QUALITY OF CONSTRUCTION. FOR ADDITIONAL INFORMATION REGARDING THE COMPLETE LINE OF **JUST** SINKS, FAUCETS AND DRAINS, VISIT OUR WEB SITE AT [www.justmfg.com](http://www.justmfg.com)

Job Name \_\_\_\_\_  
 Customer \_\_\_\_\_  
 Architect/Engineer \_\_\_\_\_

APPROVED FOR MANUFACTURING

MODEL NO. \_\_\_\_\_ QTY. \_\_\_\_\_  
 COMPANY \_\_\_\_\_  
 TITLE \_\_\_\_\_ DATE \_\_\_\_\_  
 SIGNATURE \_\_\_\_\_

REVISED-5/2004