



# A-18665-TVB

## INSTITUTIONAL GROUP WALL HUNG - SERVICE SINK with FITTINGS

SUBMITTAL DATA

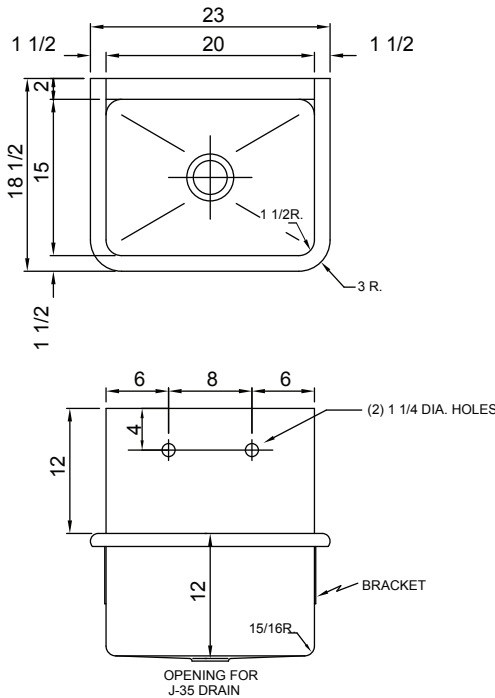


### SPECIFICATIONS

Seamless welded construction of 14 gauge type 304 stainless steel. Roll rim on front and sides. Interior surfaces to have a hand-Blended Just Finish. Exposed exterior surfaces to have a standard brush finish. Furnished with 14 gauge stainless steel brackets and wall clip. Drain punched for Just J-35-SSF drain.



Sink certified to ASME A112.19.3/CSA B45.4; Uniform Plumbing Code (UPC); International Plumbing Code (IPC), by NSF International. Certified less fittings.



### Includes:

**JVB-1200** - Solid cast brass body with rigid gooseneck spout with vacuum breaker, pail hook with top brace and wall flange. Lever handles. Outlet with 3/4" hose thread. Distance from wall to outlet adjustable from 9" to 9-1/2". Heavy duty quick-compression quarter turn stems and replaceable seats with screwdriver stops. Polished PVD chrome finish.

**JTS-1060** - 3" trap standard. Cast iron construction with duco coated exterior and acid resisting coated interior. 3" IPS female outlet. Includes: chrome plated strainer, rubber gasket and bronze clean-out plug.



**JVB-1200 Faucet**



**JTS-1060  
Trap Standard**

APPROVED FOR MANUFACTURING

MODEL NO.: **A-18665-TVB** QTY: \_\_\_\_\_

JOB NAME: \_\_\_\_\_

TAG/ITEM: \_\_\_\_\_

CUSTOMER: \_\_\_\_\_

SIGNATURE: \_\_\_\_\_

JUST MFG. COMPANY CONTINUES TO MAKE QUALITY AND FUNCTIONALITY A MARK OF THE JUST PRODUCT LINE. WE RESERVE THE RIGHT TO CHANGE PRODUCT INFORMATION WITHOUT NOTICE. DIMENSIONS MAY CHANGE AND MAY BE SUBJECT TO CHANGE WITHOUT NOTICE. NO RESPONSIBILITY IS ASSUMED FOR USE OF SUPERCEDED OR VOIDED DATA. JUST MFG. CO. SINKS ARE MADE IN THE U.S.A. WHEN COMPARING OTHER BRAND PRODUCTS, BE SURE TO COMPARE USA QUALITY ALONG WITH FEATURES AND DIMENSIONS.

**JUST MANUFACTURING COMPANY**

9233 KING STREET . FRANKLIN PARK . ILLINOIS . 60131-2111

PH: 847-678-5150 . FAX: 847-678-6817 . E-MAIL: [custserv@justmfg.com](mailto:custserv@justmfg.com) . [www.justmfg.com](http://www.justmfg.com)



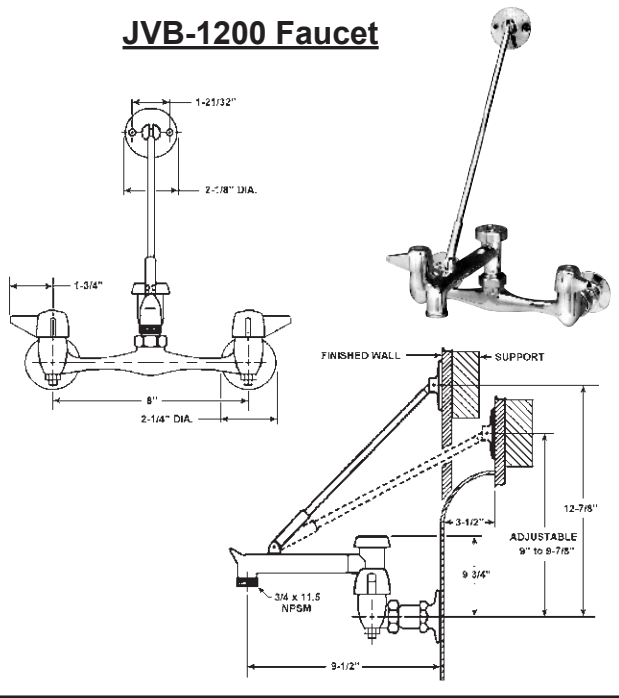
# A-18665-TVB

## INSTITUTIONAL GROUP

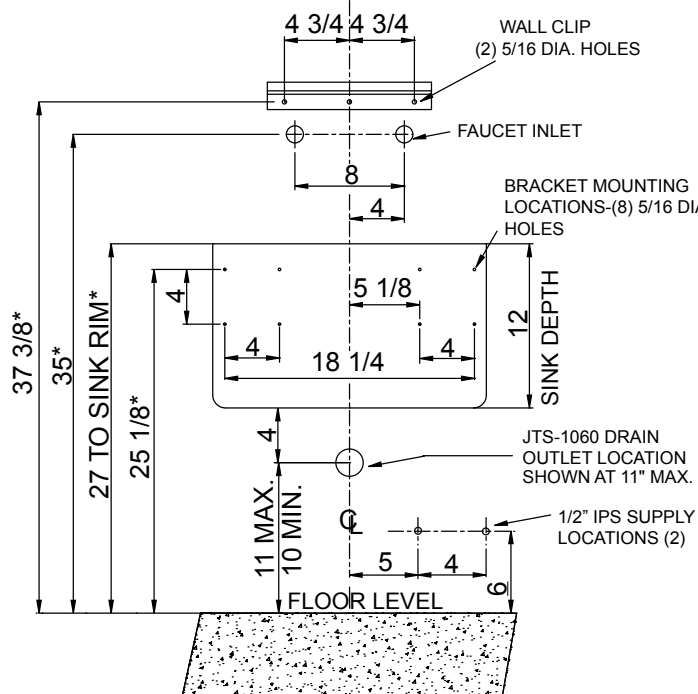
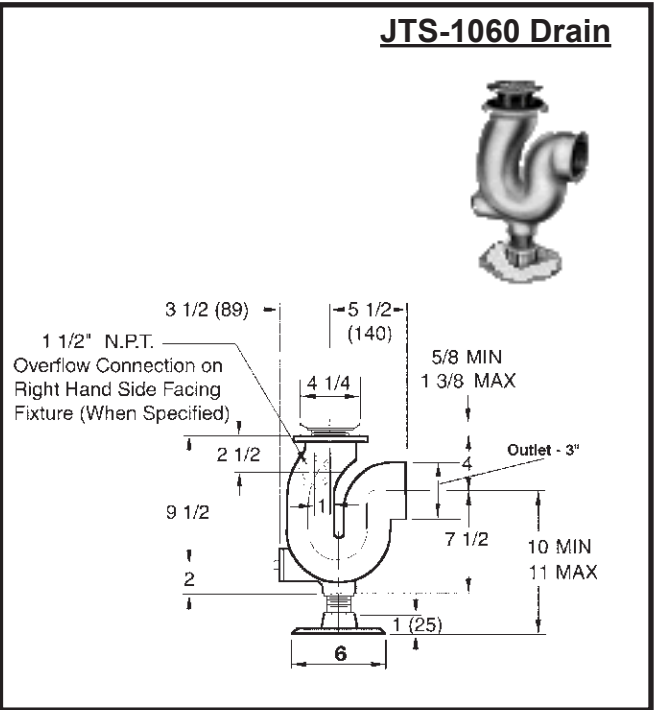
### WALL-MOUNT SERVICE SINK with FITTINGS

SUBMITTAL DATA

**JVB-1200 Faucet**



**JTS-1060 Drain**



**A-18665-TVB**  
**ROUGH-IN DATA**

NOTE: DIMENSIONS WITH AN (\*), ARE SHOWN AT THE MAXIMUM HEIGHT OF THE SINK WITH THE DRAIN OUTLET SET AT THE MAXIMUM 11" HEIGHT.

JUST MANUFACTURING COMPANY

9233 KING STREET . FRANKLIN PARK . ILLINOIS . 60131-2111

PH: 847-678-5150 . FAX: 847-678-6817 . E-MAIL: custserv@justmfg.com . www.justmfg.com