



A-18665-TMX

INSTITUTIONAL GROUP WALL HUNG - SERVICE SINK with FITTINGS

SUBMITTAL DATA

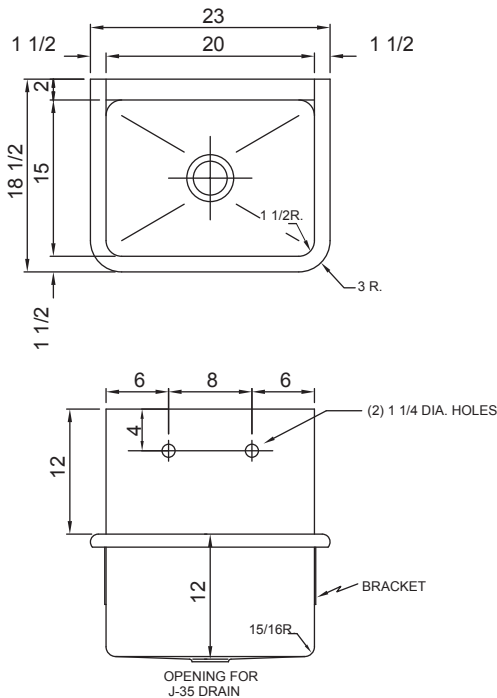


SPECIFICATIONS

Seamless welded construction of 14 gauge type 304 stainless steel. Roll rim on front and sides. Interior surfaces to have a hand-Blended Just Finish. Exposed exterior surfaces to have a standard brush finish. Furnished with 14 gauge stainless steel brackets and wall clip. Drain punched for Just J-35-SSF drain.



Sink certified to ASME A112.19.3/CSA B45.4; Uniform Plumbing Code (UPC); International Plumbing Code (IPC), by NSF International. Certified less fittings.



Includes:

JLK-400 - Backsplash mounted, solid cast brass body with replaceable seats. Flanges are cast brass with 1/2" female pipe connection. Spout has 3/4" hose thread outlet. Chrome plated finish on body, flanges and handles.

JTS-1060 - 3" trap standard. Cast iron construction with duco exterior and acid resisting coated interior. 3" female IPS outlet. Includes: chrome plated strainer, rubber gasket and broxe clean-out plug.



JLK-400 Faucet



**JTS-1060
Trap Standard**

APPROVED FOR MANUFACTURING	
MODEL NO.:	A-18665-TMX QTY: _____
JOB NAME:	_____
TAG/ITEM:	_____
CUSTOMER:	_____
SIGNATURE:	_____

JUST MFG. COMPANY CONTINUES TO MAKE QUALITY AND FUNCTIONALITY A MARK OF THE JUST PRODUCT LINE. WE RESERVE THE RIGHT TO CHANGE PRODUCT INFORMATION WITHOUT NOTICE. DIMENSIONS MAY CHANGE AND MAY BE SUBJECT TO CHANGE WITHOUT NOTICE. NO RESPONSIBILITY IS ASSUMED FOR USE OF SUPERCEDED OR VOIDED DATA. JUST MFG. CO. SINKS ARE MADE IN THE U.S.A. WHEN COMPARING OTHER BRAND PRODUCTS, BE SURE TO COMPARE USA QUALITY ALONG WITH FEATURES AND DIMENSIONS.

JUST MANUFACTURING COMPANY

9233 KING STREET . FRANKLIN PARK . ILLINOIS . 60131-2111

PH: 847-678-5150 . FAX: 847-678-6817 . E-MAIL: custserv@justmfg.com . www.justmfg.com



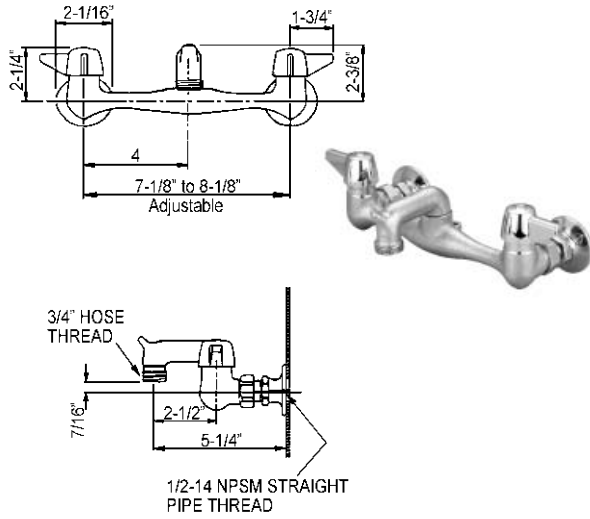
A-18665-TMX

INSTITUTIONAL GROUP

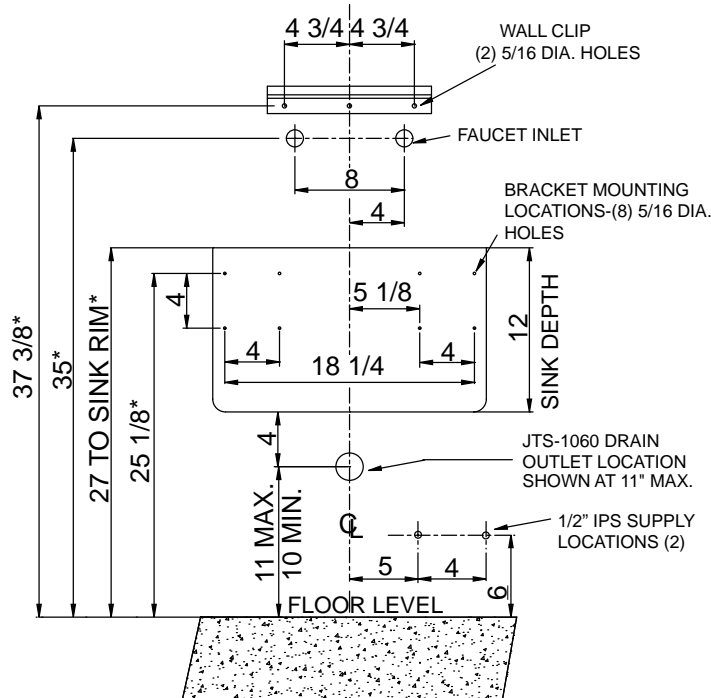
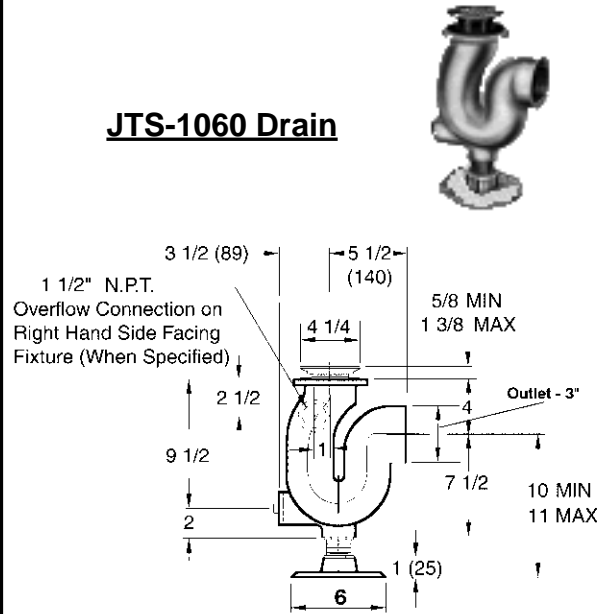
WALL-MOUNT SERVICE SINK with FITTINGS

SUBMITTAL DATA

JLK-400 Faucet



JTS-1060 Drain



A-18665-TMX
ROUGH-IN DATA

NOTE: DIMENSIONS WITH AN (*), ARE SHOWN AT THE MAXIMUM HEIGHT OF THE SINK WITH THE DRAIN OUTLET SET AT THE MAXIMUM 11" HEIGHT.

JUST MANUFACTURING COMPANY

9233 KING STREET . FRANKLIN PARK . ILLINOIS . 60131-2111

PH: 847-678-5150 . FAX: 847-678-6817 . E-MAIL: custserv@justmfg.com . www.justmfg.com