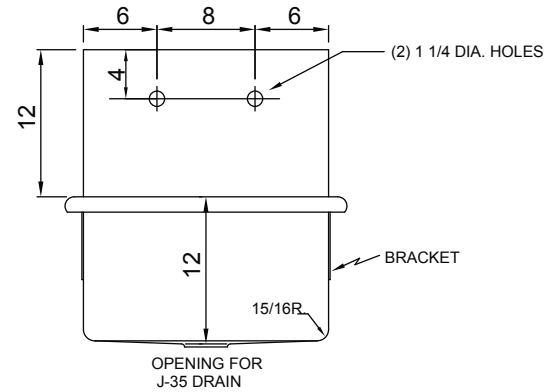
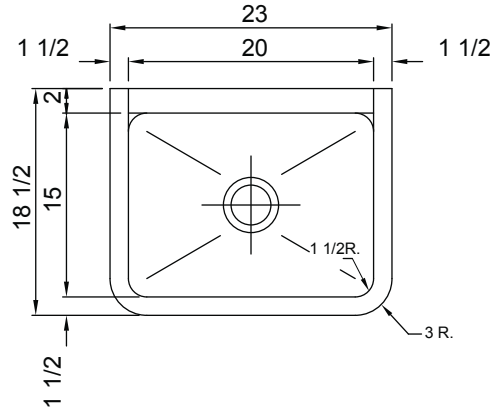




# A-18665-TCP

## INSTITUTIONAL GROUP WALL HUNG - SERVICE SINK with FITTINGS

SUBMITTAL DATA



### A-18665-TCP - SPECIFICATION

Seamless welded construction, fabricated of 14 gauge type 304 stainless steel. 1-1/2" dia. roll rim on front and sides. Interior surfaces polished to a Hand-Blended Just Finish. Exposed exterior surfaces polished with a standard brush finish. Furnished with two 14 gauge type 304 stainless steel wall brackets, and one 14 gauge stainless steel wall clip. Drain punch for #35 centered for Just J-35 drain.

### INCLUDES:

(2) J-514 Faucets - Backsplash mounted. PVD chrome finish, cast brass bibb faucet with hose end spout.

JTS-1060 Trap Standard - 3" trap standard. Cast iron construction with white duco coated exterior and acid resisting coated interior. 3" female IPS outlet. Chrome plated strainer, rubber gasket and bronze clean-out plug.



**(2) J-514 Faucets**



**JTS-1060  
Trap Standard**

APPROVED FOR MANUFACTURING

MODEL NO.: **A-18665-TCP** QTY: \_\_\_\_\_

JOB NAME: \_\_\_\_\_

TAG/ITEM: \_\_\_\_\_

CUSTOMER: \_\_\_\_\_

SIGNATURE: \_\_\_\_\_

JUST MFG. COMPANY CONTINUES TO MAKE QUALITY AND FUNCTIONALITY A MARK OF THE JUST PRODUCT LINE. TO DO SO REQUIRES THAT WE RESERVE THE RIGHT TO CHANGE PRODUCT INFORMATION WITHOUT NOTICE. DIMENSIONS MAY VARY AND ARE SUBJECT TO CHANGE WITHOUT NOTICE. NO RESPONSIBILITY IS ASSUMED FOR USE OF SUPERCEDED OR VOIDED DATA. FOR THE MOST CURRENT AND ACCURATE INFORMATION REGARDING THE COMPLETE LINE OF JUST SINKS, FAUCETS AND DRAINS, CLICK ON THE **SPEC LINE DRAWINGS** LINK ON OUR WEB SITE AT [www.justmfg.com](http://www.justmfg.com)

**JUST MANUFACTURING COMPANY**

9233 KING STREET . FRANKLIN PARK . ILLINOIS . 60131-2111

PH: 847-678-5150 . FAX: 847-678-6817 . E-MAIL: [custserv@justmfg.com](mailto:custserv@justmfg.com) . [www.justmfg.com](http://www.justmfg.com)

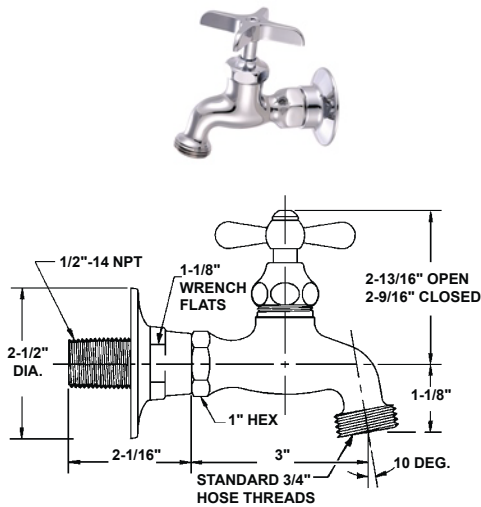


# A-18665-TCP

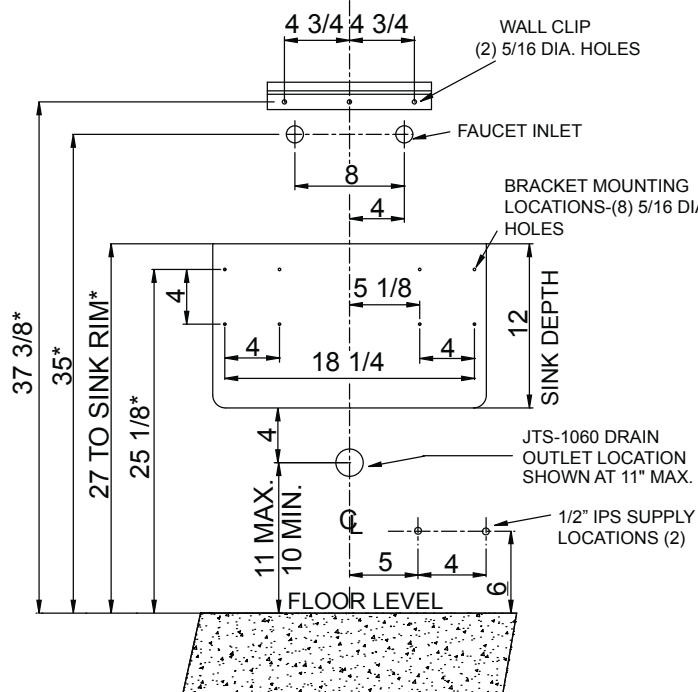
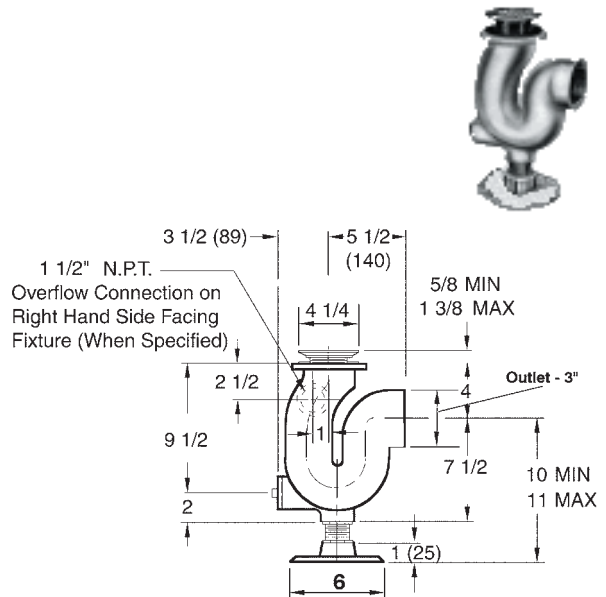
**INSTITUTIONAL GROUP**  
**WALL-MOUNT SERVICE SINK with FITTINGS**

**SUBMITTAL DATA**

**J-514 Faucet**



**JTS-1060 Drain**



**A-18665-TCP**  
**ROUGH-IN DATA**

NOTE: DIMENSIONS WITH AN (\*), ARE SHOWN AT THE MAXIMUM HEIGHT OF THE SINK WITH THE DRAIN OUTLET SET AT THE MAXIMUM 11" HEIGHT.

JUST MANUFACTURING COMPANY

9233 KING STREET . FRANKLIN PARK . ILLINOIS . 60131-2111

PH: 847-678-5150 . FAX: 847-678-6817 . E-MAIL: [custserv@justmfg.com](mailto:custserv@justmfg.com) . [www.justmfg.com](http://www.justmfg.com)