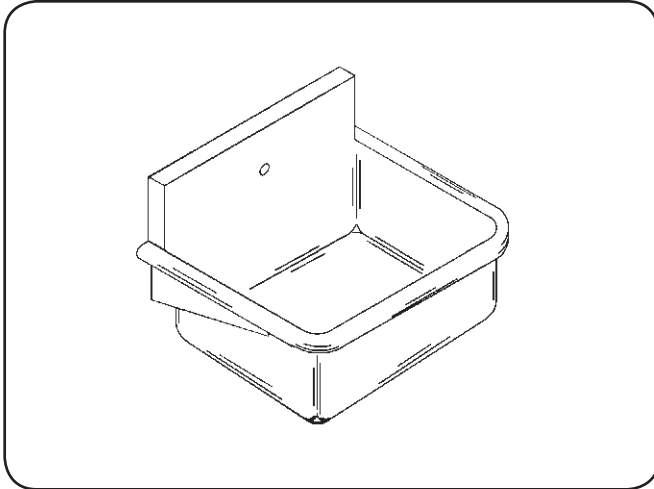




# A-18664-TF

## INSTITUTIONAL GROUP WALL HUNG - SERVICE SINK with FITTINGS

SUBMITTAL DATA



### A-18664-TF - SPECIFICATION

**SINK** - Seamless welded construction of 14 gauge type 304 stainless steel. 1-1/2" roll rim on front and sides. Interior surfaces polished to a Hand-Blended Just Finish. Exposed exterior surfaces polished with a standard brush finish. Furnished with stainless steel wall brackets and wall clip. Drain punched centered for Just J-35-FS drain.



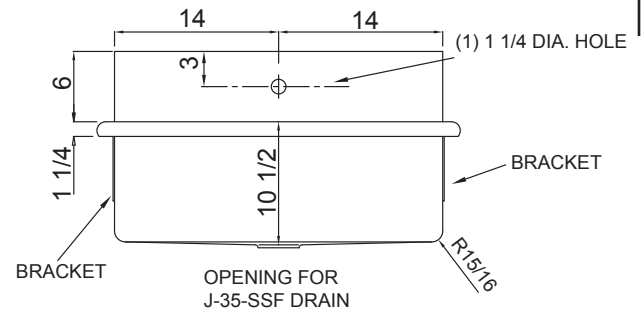
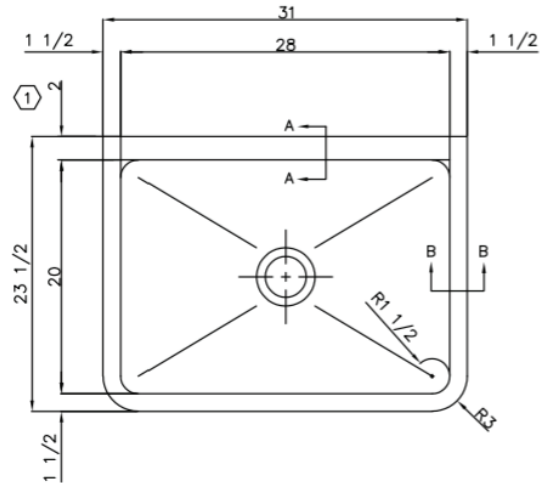
Sink certified to ASME A112.19.3/CSA B45.4; Uniform Plumbing Code (UPC); International Plumbing Code (IPC), by NSF International. Certified less fittings.

### FITTINGS INCLUDED:

**JFV-320 - Foot Pedal Valve** - Wall mount, extra long double pedal valve with renewable slow closing valve units. Pedals flip up to clear floor area for cleaning. 1/2" inlets and outlets on 1-1/4" centers. Wall to tip of pedals approx. 14". Polished chrome finish. Loose key stops, in inlets, for shut-off control and volume control. Includes unions and wall flanges.

**JS-10 Spout** - backsplash mounted, chrome plated rigid gooseneck with aerator.

**J-35-SSF Drain** - Type 304 stainless steel drain body, flat grid strainer and 1-1/2" O.D. tailpiece (4" long).



APPROVED FOR MANUFACTURING	
MODEL NO.:	<b>A-18664-TF</b> QTY: _____
JOB NAME:	_____
TAG/ITEM:	_____
CUSTOMER:	_____
SIGNATURE:	_____



JUST MFG. COMPANY CONTINUES TO MAKE QUALITY AND FUNCTIONALITY A MARK OF THE JUST PRODUCT LINE. WE RESERVE THE RIGHT TO CHANGE PRODUCT INFORMATION WITHOUT NOTICE. DIMENSIONS MAY CHANGE AND MAY BE SUBJECT TO CHANGE WITHOUT NOTICE. NO RESPONSIBILITY IS ASSUMED FOR USE OF SUPERCEDED OR VOIDED DATA. JUST MFG. CO. SINKS ARE MADE IN THE U.S.A. WHEN COMPARING OTHER BRAND PRODUCTS, BE SURE TO COMPARE USA QUALITY ALONG WITH FEATURES AND DIMENSIONS.

**JUST MANUFACTURING COMPANY**

9233 KING STREET . FRANKLIN PARK . ILLINOIS . 60131-2111

PH: 847-678-5150 . FAX: 847-678-6817 . E-MAIL: [custserv@justmfg.com](mailto:custserv@justmfg.com) . [www.justmfg.com](http://www.justmfg.com)



# A-18664-TF

**INSTITUTIONAL GROUP**  
**WALL-MOUNT SERVICE SINK with FITTINGS**

**SUBMITTAL DATA**

