



A-18664-S

INSTITUTIONAL GROUP WALL HUNG - SERVICE SINK

SUBMITTAL DATA



Faucet shown with Optional Rose Spray

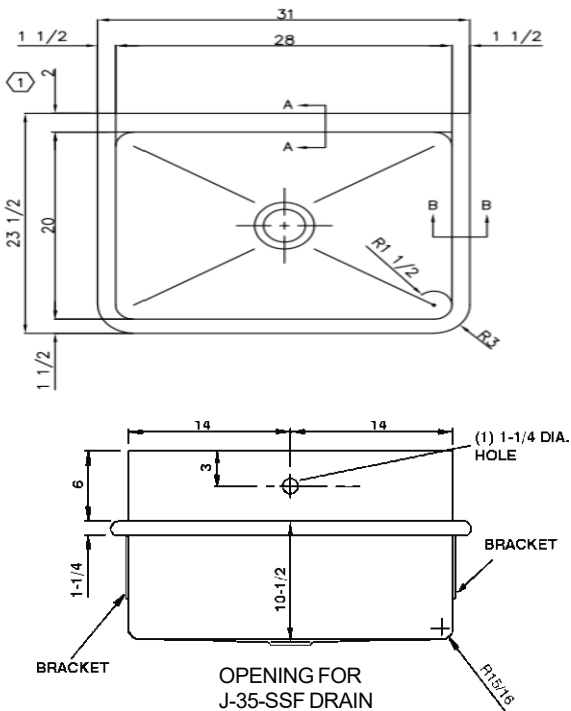
SPECIFICATIONS

Seamless welded construction of 14 gauge type 304 stainless steel. Roll rim on front and sides. Interior surfaces to have a hand-Blended Just Finish. Exposed exterior surfaces to have a standard brush finish. Furnished with 14 gauge stainless steel brackets and wall clip. Drain punched for Just J-35-SSF drain.



U.S. Code
ASME A112.19.3/CSA B45.4

Sink certified to ASME A112.19.3/CSA B45.4; Uniform Plumbing Code (UPC); International Plumbing Code (IPC), by NSF International. Certified less fittings.



Includes:

JSL-46 - Low Lead certified, backsplash mounted, sensor operated faucet with gooseneck spout and laminar flow control. AC or battery power - Specify when ordering.

JTM-47 - Low Lead certified, thermostatic mixing valve with 1/2" sweat connections.

J-35-SSF - stainless steel flat grid strainer, body and 4" long tailpiece.

JT-150 - cast brass P-trap with cleanout.

FAUCET - Must be specified

- JSL-46-AC - w/plug-in power adapter
- JSL-46-B - w/battery holder

OPTIONAL
Rose Spray
(check if required)



APPROVED FOR MANUFACTURING

MODEL NO.: **A-18664-S** QTY: _____
 JOB NAME: _____
 TAG/ITEM: _____
 CUSTOMER: _____
 SIGNATURE: _____

JUST MFG. COMPANY CONTINUES TO MAKE QUALITY AND FUNCTIONALITY A MARK OF THE JUST PRODUCT LINE. WE RESERVE THE RIGHT TO CHANGE PRODUCT INFORMATION WITHOUT NOTICE. DIMENSIONS MAY CHANGE AND MAY BE SUBJECT TO CHANGE WITHOUT NOTICE. NO RESPONSIBILITY IS ASSUMED FOR USE OF SUPERCEDED OR VOIDED DATA. JUST MFG. CO. SINKS ARE MADE IN THE U.S.A. WHEN COMPARING OTHER BRAND PRODUCTS, BE SURE TO COMPARE USA QUALITY ALONG WITH FEATURES AND DIMENSIONS.

JUST MANUFACTURING COMPANY

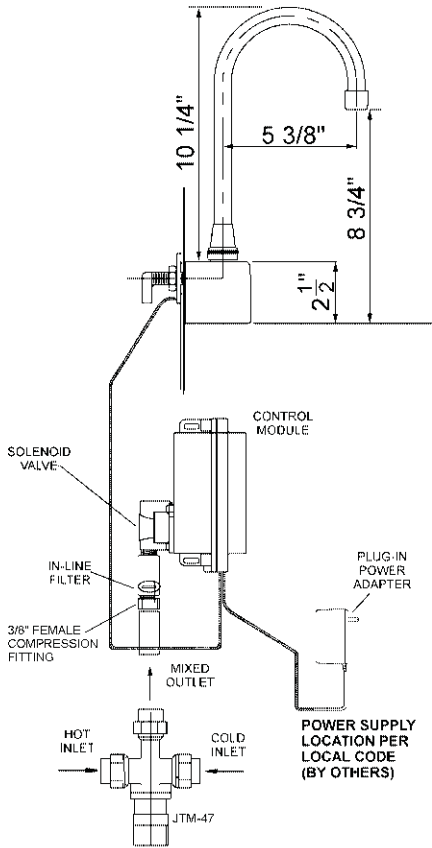
9233 KING STREET . FRANKLIN PARK . ILLINOIS . 60131-2111

PH: 847-678-5150 . FAX: 847-678-6817 . E-MAIL: custserv@justmfg.com . www.justmfg.com



INSTITUTIONAL GROUP

SUBMITTAL DATA



A-18664-S

JSL-46-AC - Sensor Operated Faucet with Control Module



Sensor-operated backsplash mounted gooseneck faucet. Chrome plated solid brass construction faucet body. Chrome plated spout 12 3/4" high from bottom of base (8-3/4" from base to aerator) with 5-3/8" reach. 2.0 GPM Laminar flow control.

Control module, AC powered vandal resistant with armored control/power cable. Power adapter, standard plug-in type, provides 12V DC output. Slow closing solenoid valve, piston-operated, provides reliable smooth operation without water hammer. In-line filter with clean-out trap. Sensor range adjustable from 6" to 30". Automatic time-out feature adjustable from 0(preset-active until no activity sensed) up to 60 seconds in 15 second intervals. Shut-off delay adjustable to 0, 1(preset), 2, 4 or 8 seconds.

Battery powered unit available. Specifications same as above, except provides 6V DC and includes battery holder for four AA batteries in lieu of plug-in power adapter.

JTM-47 - Thermostatic Mixing Valve

Anti-Scald mixing valve with bronze body with integral check valves and adjustment cap with locking feature. 1/2" sweat union inlet and outlet connections. Temperature range from 60 to 120 F(16 C to 49 C). ASSE Standard 1016 Listed.

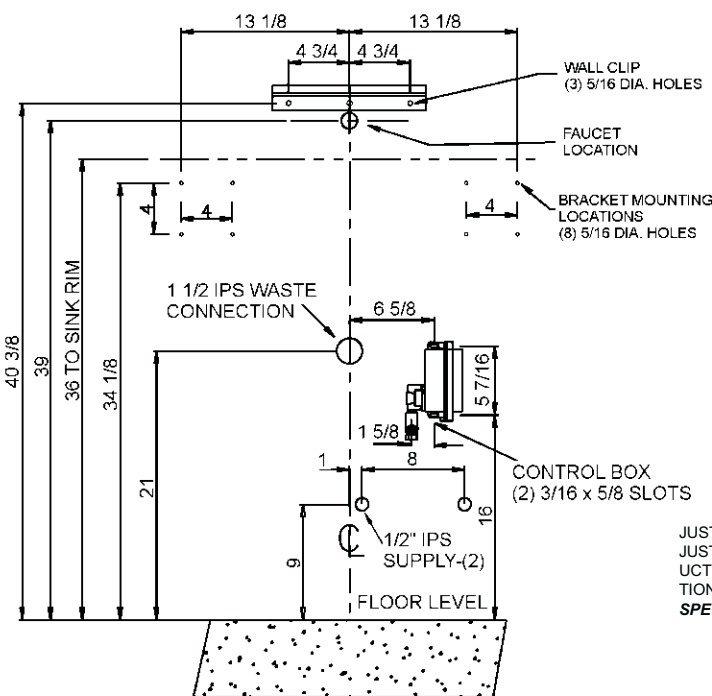
J-35-SSF Drain

Type 304 stainless steel drain body, stainless steel flat grid strainer and 1-1/2" O.D. stainless steel tailpiece, 4" long.

JT-150 P-Trap

Chrome plated cast brass 1-1/2" P-trap with cleanout. Drain pipe of 17 ga. chrome plated brass.

AC OUTLET MUST BE INSTALLED ACCORDING TO LOCAL CODES. INSTALLATION CONTRACTOR RESPONSIBLE FOR COMPLIANCE WITH THOSE CODES.



JUST MFG. COMPANY CONTINUES TO MAKE QUALITY AND FUNCTIONALITY A MARK OF THE JUST PRODUCT LINE. TO DO SO REQUIRES THAT WE RESERVE THE RIGHT TO CHANGE PRODUCT INFORMATION WITHOUT NOTICE. FOR THE MOST CURRENT AND ACCURATE INFORMATION REGARDING THE COMPLETE LINE OF JUST SINKS, FAUCETS AND DRAINS, CLICK ON THE SPEC LINE DRAWINGS LINK ON OUR WEB SITE AT www.justmfg.com

JUST MANUFACTURING COMPANY

9233 KING STREET . FRANKLIN PARK . ILLINOIS . 60131-2111

PH: 847-678-5150 . FAX: 847-678-6817

E-MAIL: custserv@justmfg.com . www.justmfg.com