





100% STAINLESS STEEL CONSTRUCTION


Vandal resistant, self-closing push button bubblers. Cast Type 304 stainless steel body and push button. Stainless steel replaceable regulator cartridge. Location of bubbler on ledge is adjustable. Conforms to ANSI A112.18.1. Certified to NSF 61.

JSB-10-FLX-VR BUBBLER— FLEXIBLE MOUTHGUARD

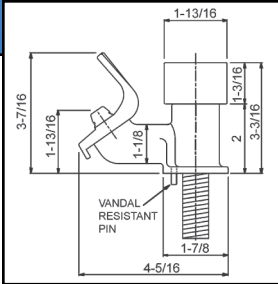

(Smooth flexible anti-microbial mouthguard with self closing push button)



LEAD FREE





VANDAL RESISTANT




Meets AB1953
100% polished stainless steel body.
No possibility of chrome plating degradation.

JSB-10-VR BUBBLER— ALL STAINLESS STEEL

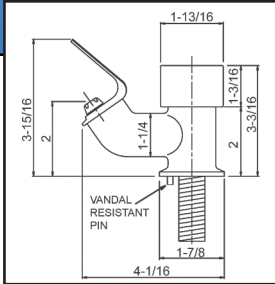




LEAD FREE




VANDAL RESISTANT




Meets AB1953
100% polished stainless steel body.
No possibility of chrome plating degradation.


Self-closing push button bubblers. Cast Type 304 stainless steel body and push button. Stainless steel replaceable regulator cartridge. Location of bubbler on ledge is adjustable. Conforms to ANSI A112.18.1. Certified to NSF 61.

JSB-10-FLX BUBBLER— FLEXIBLE MOUTHGUARD

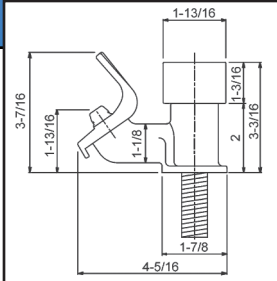

(Smooth flexible anti-microbial mouthguard with self closing push button)



LEAD FREE





VANDAL RESISTANT




Meets AB1953
100% polished stainless steel body.
No possibility of chrome plating degradation.

JSB-10 BUBBLER— ALL STAINLESS STEEL

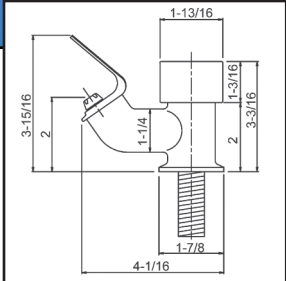




LEAD FREE



VANDAL RESISTANT



Meets AB1953
100% polished stainless steel body.
No possibility of chrome plating degradation.



JUST MANUFACTURING COMPANY	9233 KING STREET	FRANKLIN PARK	ILLINOIS	60131
PH: 847.678.5150	FAX: 847.678.6817	EMAIL: CUSTSERV@JUSTMFG.COM	WEBSITE: WWW.JUSTMFG.COM	