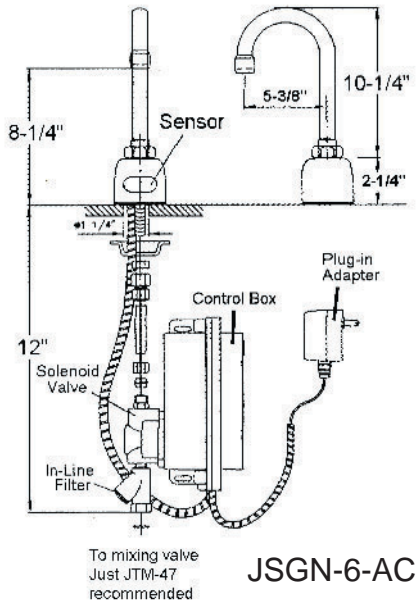




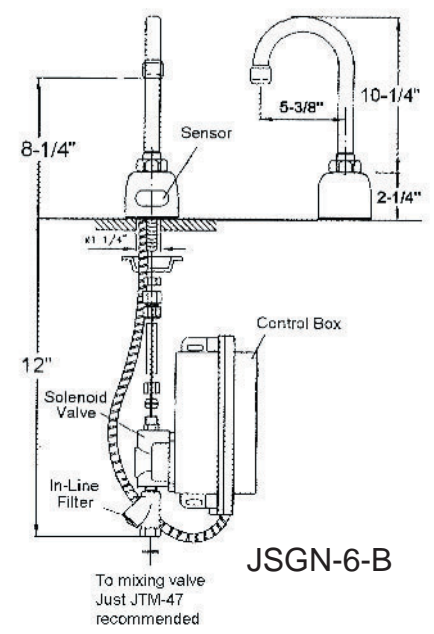
# JSGN-6-AC / JSGN-6-B

## FAUCET GROUP DECK MOUNT - SENSOR FAUCET AC or BATTERY POWER

SUBMITTAL DATA



JSGN-6-AC



JSGN-6-B

### TECHNICAL DATA

**CONSTRUCTION:**  
 Single hole deck mount - non-mixing  
 Sensor range - 6" - 30" - Preset/Adjustable  
 Automatic time-out -  
     Preset/adjustable to 0, 15, 30 or 60 sec.  
 Shut-off delay - Preset - Adjustable 1 to 8 sec.  
 In-line filter with clean-out trap  
 Slow closing, piston operated solenoid  
 Control circuit- Solid state, AC or Battery (field switchable)  
 Solenoid valve - VSI silicone elastomer piston seal  
     6V DC, normally closed  
     .4W (idle), 5W (in use)  
 Operating pressure - 5psi to 125 psi

Control module- wall mountable  
 Control/power cable - armored, vandal resistant  
 AC Mode - Power Adapter (UL/CSA)  
     Standard plug-in: Input AC 120V 60Hz or 220V  
                           Output DC 12V, 0.8A/Class 2  
 Power cable: Armored, vandal resistant  
 Battery Mode - (UL/CSA)  
 Batteries - uses (4) AA Alkaline batteries  
 Battery Life - 400,000 on/off cycles, up to 4yrs

**FLOW RATE**  
 2.0 GPM Laminar Flow Control

**FINISH**  
 Chrome plated

**OPTIONS**  
 Multi-unit adapter - serves up to (8) faucets  
 Input AC 120V, Output DC 12V, 3A

JUST MFG. COMPANY CONTINUES TO MAKE QUALITY AND FUNCTIONALITY A MARK OF THE JUST PRODUCT LINE. TO DO SO REQUIRES THAT WE RESERVE THE RIGHT TO CHANGE PRODUCT INFORMATION WITHOUT NOTICE. DIMENSIONS MAY VARY AND ARE SUBJECT TO CHANGE WITHOUT NOTICE. NO RESPONSIBILITY IS ASSUMED FOR USE OF SUPERCEDED OR VOIDED DATA. FOR THE MOST CURRENT AND ACCURATE INFORMATION REGARDING THE COMPLETE LINE OF JUST SINKS, FAUCETS AND DRAINS, CLICK ON THE **SPEC LINE DRAWINGS** LINK ON OUR WEB SITE AT [www.justmfg.com](http://www.justmfg.com)

APPROVED FOR MANUFACTURING	
MODEL NO.:	QTY: _____
JOB NAME:	_____
TAG/ITEM:	_____
CUSTOMER:	_____
SIGNATURE:	_____

<b>JUST MANUFACTURING COMPANY</b>	9233 KING STREET . FRANKLIN PARK . ILLINOIS . 60131-2111
PH: 847-678-5150 . FAX: 847-678-6817 .	E-MAIL: <a href="mailto:custserv@justmfg.com">custserv@justmfg.com</a> . <a href="http://www.justmfg.com">www.justmfg.com</a>