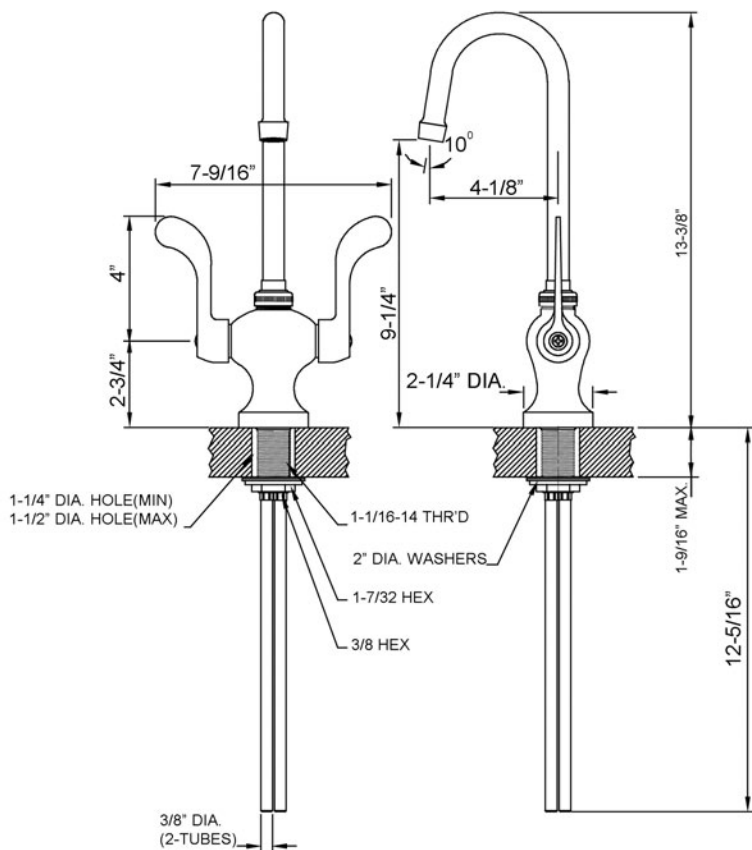




# JGN-600 FAUCET GROUP BAR & PANTRY FAUCET

SUBMITTAL DATA



## TECHNICAL DATA CONSTRUCTION:

- Single hole deck mounted
- Solid cast brass body
- Brass gooseneck swivel spout
- Replaceable seats
- Brass quarter turn quick compression stem units
- Replaceable reinforced nitrile rubber packing

- Chrome plated die cast lever handles
- Color coded handles hot (red) and cold (blue)
- Equipped with water saving aerator
- Certified by IAPMO R&T to:

- \* NSF/ANSI 61- 2010a
- \* NSF/ANSI 372-2016
- \* Low Lead
- \* ANSI A112.18.1 / CSA B125.1
- \* UPC
- \* IPC
- \* ADA Compliant



## FINISH

Polished chrome plate

## FLOW RATE

1.5 GPM flow restricting aerator

## A.D.A. COMPLIANT

Yes

## VARIANTS

None

JUST MFG. COMPANY CONTINUES TO MAKE QUALITY AND FUNCTIONALITY A MARK OF THE JUST PRODUCT LINE. WE RESERVE THE RIGHT TO CHANGE PRODUCT INFORMATION WITHOUT NOTICE. DIMENSIONS MAY CHANGE AND MAY BE SUBJECT TO CHANGE WITHOUT NOTICE. NO RESPONSIBILITY IS ASSUMED FOR USE OF SUPERCEDED OR VOIDED DATA. JUST MFG. CO. SINKS ARE MADE IN THE U.S.A. WHEN COMPARING OTHER BRAND PRODUCTS, BE SURE TO COMPARE USA QUALITY ALONG WITH FEATURES AND DIMENSIONS.

OPTIONS	
AERATORS / FLOW CONTROL	
0.5 GPM	
1.0 GPM	
VANDAL RESISTANT	
Handles - VR-H	
Aerator - VR-A	

APPROVED FOR MANUFACTURING

MODEL NO.: **JGN-600** QTY: \_\_\_\_\_

JOB NAME: \_\_\_\_\_

TAG/ITEM: \_\_\_\_\_

CUSTOMER: \_\_\_\_\_

SIGNATURE: \_\_\_\_\_

**JUST MANUFACTURING COMPANY**

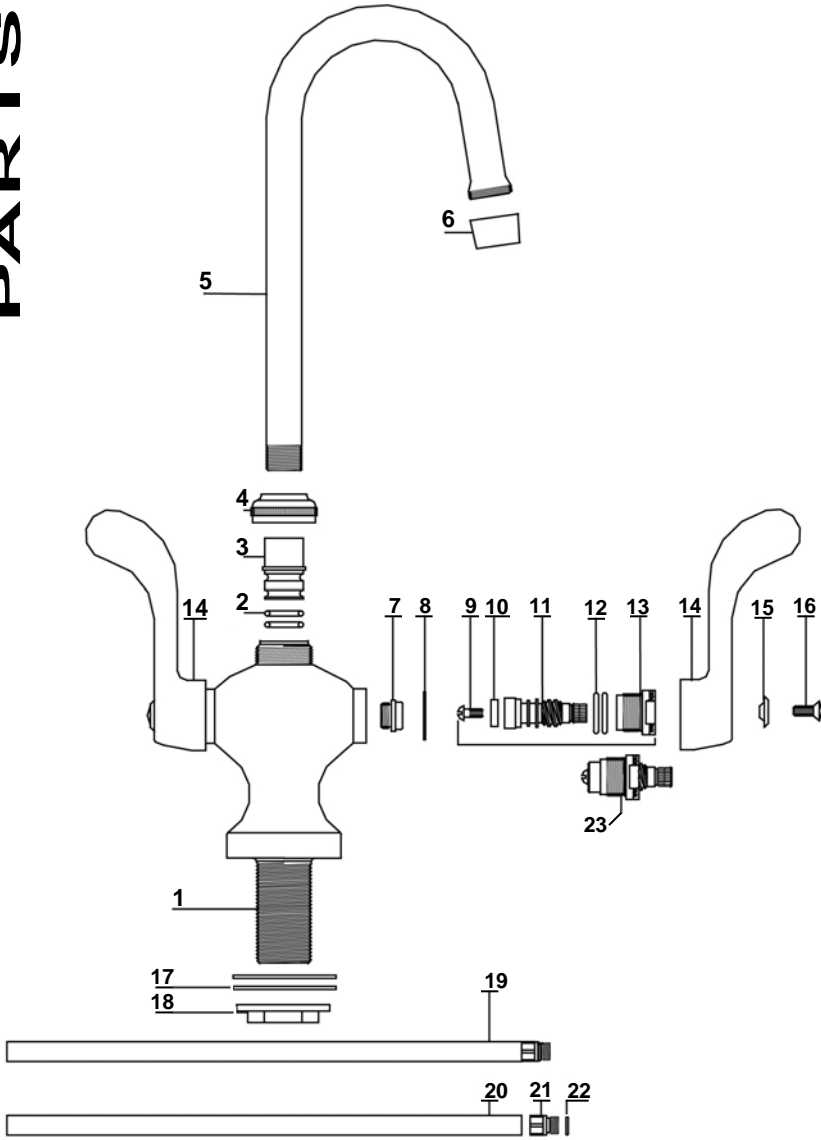
9233 KING STREET FRANKLIN PARK ILLINOIS 60131-2111

PH: 847-678-5150 . FAX: 847-678-6817 . E-MAIL: [custserv@justmfg.com](mailto:custserv@justmfg.com) . [www.justmfg.com](http://www.justmfg.com)



**FAUCET GROUP**

**BAR & PANTRY FAUCET**



Item No.	Part No.	Description
1	1756	Faucet body
2	1038	R-Ring
3	PF-741DOA	Spout adapter
4	PF-782DES	Spout nut
5	PF-157-GA02	Gooseneck spout
6	30-M	Broanze seat
7	263-BC	Bronze seat
8	1028Y	Nylon gasket
9	104	Seat washer screw
10	901WN	Seat washer
11	454-FL	Left thread O-Ring stem
11	454-FR	Right thread O-Ring stem
12	1038-45	O-Ring
13	454-EC	Left thread O-Ring Bonnet
13	454-EH	Right thread O-Ring Bonnet
14	4147-RED	4" handle
14	4147-BLUE	4" handle
15	107-FB	Blue index
15	107-FR	Red index
16	PF-107-FNP	Screw
17	52	Washer
18	4090SK2	Locknut
19	SU-767	Supply tube assembly (2-req')
20	PF-70210	Supply tube
21	767-B1	Supply tube fitting
22	1038-E16	O-ring
23	SU-454EL	Stem assembly(O-ring)-left thread
23	SU-454-ER	Stem assembly(O-ring)-right thread

JUST MFG. COMPANY CONTINUES TO MAKE QUALITY AND FUNCTIONALITY A MARK OF THE JUST PRODUCT LINE. TO DO SO REQUIRES THAT WE RESERVE THE RIGHT TO CHANGE PRODUCT INFORMATION WITHOUT NOTICE. DIMENSIONS MAY VARY AND ARE SUBJECT TO CHANGE WITHOUT NOTICE. NO RESPONSIBILITY IS ASSUMED FOR USE OF SUPERCEDED OR VOIDED DATA. FOR THE MOST CURRENT AND ACCURATE INFORMATION REGARDING THE COMPLETE LINE OF JUST SINKS, FAUCETS AND DRAINS, CLICK ON THE **SPEC LINE DRAWINGS** LINK ON OUR WEB SITE AT [www.justmfg.com](http://www.justmfg.com)

**JUST MANUFACTURING COMPANY**  
 9233 KING STREET . FRANKLIN PARK . ILLINOIS . 60131-2111  
 PH: 847-678-5150 . FAX: 847-678-6817  
 E-MAIL: [custserv@justmfg.com](mailto:custserv@justmfg.com) . [www.justmfg.com](http://www.justmfg.com)