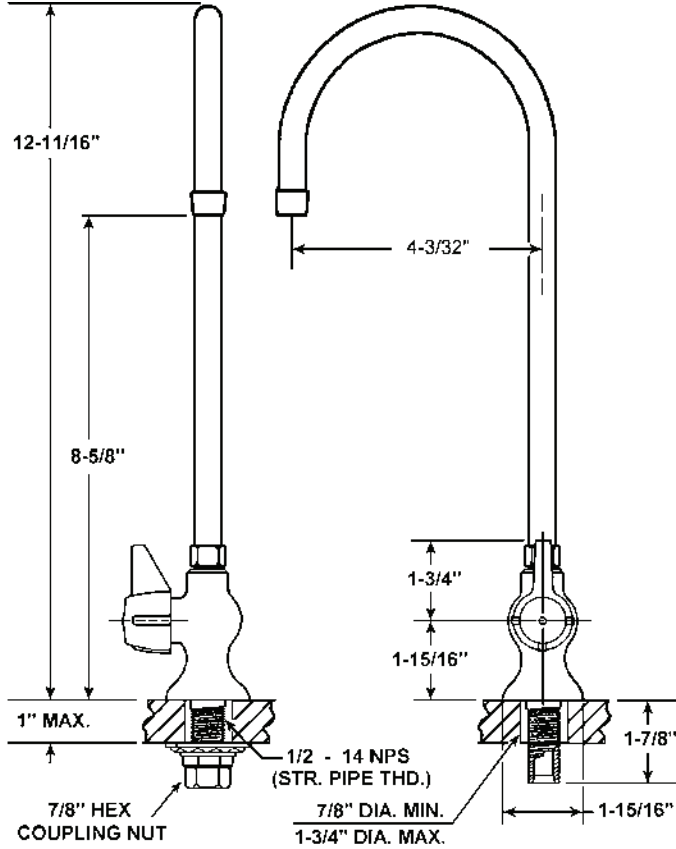




**FAUCET GROUP**



**OPTIONS HANDLES**

- 4" Wrist Blades "W4"
- 6" Wrist Blades "W6"

**VANDAL RESISTANT**

- Aerator "VR-A"
- Handles "VR-H"

Job Name _____	
Customer _____	
Architect/Engineer _____	
APPROVED FOR MANUFACTURING	
Model No. _____	Qty. _____
Company _____	
Title _____	Date _____
SIGNATURE _____	

REVISED-2013

**JGN-1AC**

**BAR FAUCET**



**TECHNICAL DATA CONSTRUCTION:**

Single hole, single supply deck mounted  
Solid cast brass body  
Brass rigid gooseneck spout 12-11/16" high  
Spot location is adjustable  
Brass quick compression stem unit  
Valve has replaceable seat  
Replaceable reinforced nitrile rubber packing  
Replaceable Buna-N seat washers  
Lever handle is chrome plated die cast  
Handle is indexed "C"  
Equipped with water saving aerator  
Certified by IAPMO R&T to:

- \* NSF/ANSI 61- 2010a
- \* UPC
- \* NSF/ANSI 61- Annex G
- \* IPC
- \* Low Lead
- \* ADA Compliant
- \* ANSI A112.18.1 / CSA B125.1



**FINISH**

Polished chrome plate

**FLOW RATE**

2.2 GPM flow restricting aerator

**A.D.A. COMPLIANT**

Yes

**VARIANTS**

JGN-1AH = JGN-1A w/ Hot handle & stem

JUST MFG. COMPANY CONTINUES TO MAKE QUALITY AND FUNCTIONALITY A MARK OF THE JUST PRODUCT LINE. TO DO SO REQUIRES THAT WE RESERVE THE RIGHT TO CHANGE PRODUCT INFORMATION WITHOUT NOTICE. DIMENSIONS MAY VARY AND ARE SUBJECT TO CHANGE WITHOUT NOTICE. NO RESPONSIBILITY IS ASSUMED FOR USE OF SUPERCEDED OR VOIDED DATA. FOR THE MOST CURRENT AND ACCURATE INFORMATION REGARDING THE COMPLETE LINE OF JUST SINKS, FAUCETS AND DRAINS, CLICK ON THE SPEC LINE DRAWINGS LINK ON OUR WEB SITE AT [www.justmfg.com](http://www.justmfg.com)

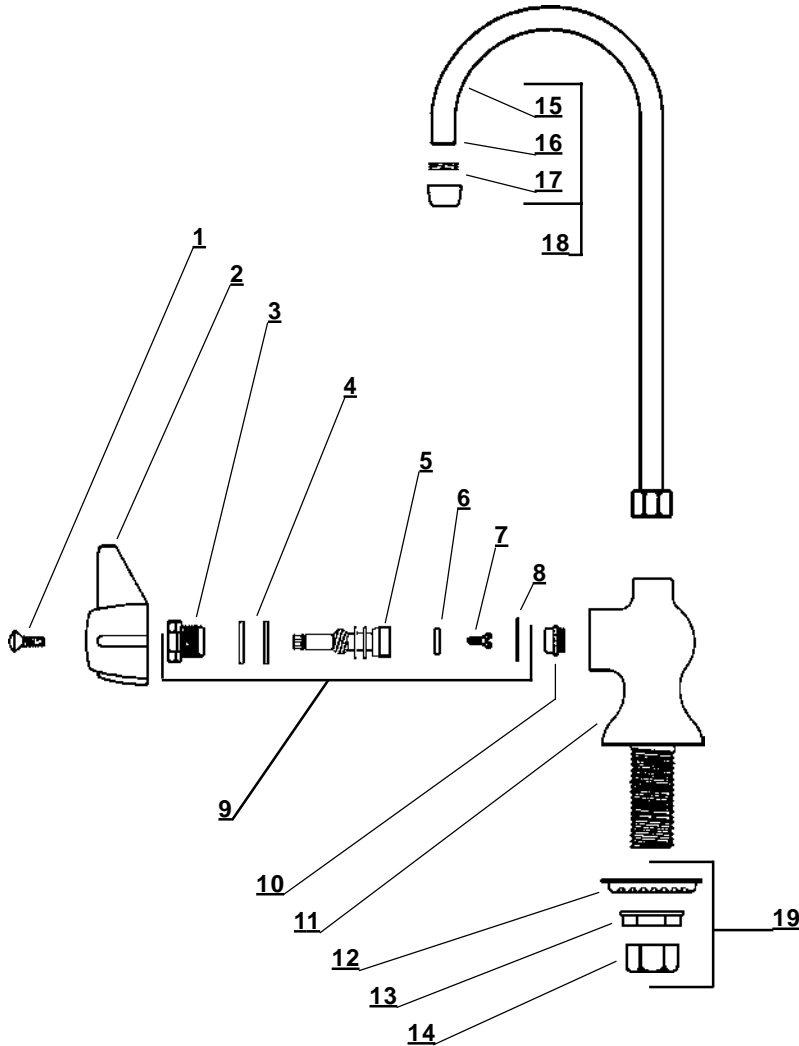
<b>JUST MANUFACTURING COMPANY</b>	
9233 KING STREET . FRANKLIN PARK . ILLINOIS . 60131-2111	
PH: 847-678-5150 . FAX: 847-678-6817	
E-MAIL: <a href="mailto:custserv@justmfg.com">custserv@justmfg.com</a> . <a href="http://www.justmfg.com">www.justmfg.com</a>	

**SUBMITTAL DATA**



**FAUCET GROUP**

**BAR FAUCET**



Item No.	Part No.	Description
1	107-F	Handle Screw
2	523-C	Handle - Cold
3	454-EWC	Bonnet ( Cold Side )
4	1038-453	O-Ring
5	454-FL	Stem ( Cold Side )
6	901-WN	Seat Washer
7	104	Seat Washer Screw
8	1028-Y	Gasket
9	SU-454-EL	Stem Sub-Unit (Cold Side)
10	263-BC	Replaceable Seat
11	2904-286	Body (not available separately)
12	54	Cup Washer
13	7133-AL	Locknut
14	4015-BAR	Coupling Nut
15	PF-157-HA	Spout
16	PF-166-UA	Adaptor
17	VRA	Vandal resistant aerator
18	SU-157-HA	Spout Assembly
19	G-95-A	Nut & washer mounting kit

JUST MFG. COMPANY CONTINUES TO MAKE QUALITY AND FUNCTIONALITY A MARK OF THE JUST PRODUCT LINE. TO DO SO REQUIRES THAT WE RESERVE THE RIGHT TO CHANGE PRODUCT INFORMATION WITHOUT NOTICE. DIMENSIONS MAY VARY AND ARE SUBJECT TO CHANGE WITHOUT NOTICE. NO RESPONSIBILITY IS ASSUMED FOR USE OF SUPERCEDED OR VOIDED DATA. FOR THE MOST CURRENT AND ACCURATE INFORMATION REGARDING THE COMPLETE LINE OF JUST SINKS, FAUCETS AND DRAINS, CLICK ON THE **SPEC LINE DRAWINGS** LINK ON OUR WEB SITE AT [www.justmfg.com](http://www.justmfg.com)

**JUST MANUFACTURING COMPANY**  
 9233 KING STREET . FRANKLIN PARK . ILLINOIS . 60131-2111  
 PH: 847-678-5150 . FAX: 847-678-6817  
 E-MAIL: [custserv@justmfg.com](mailto:custserv@justmfg.com) . [www.justmfg.com](http://www.justmfg.com)