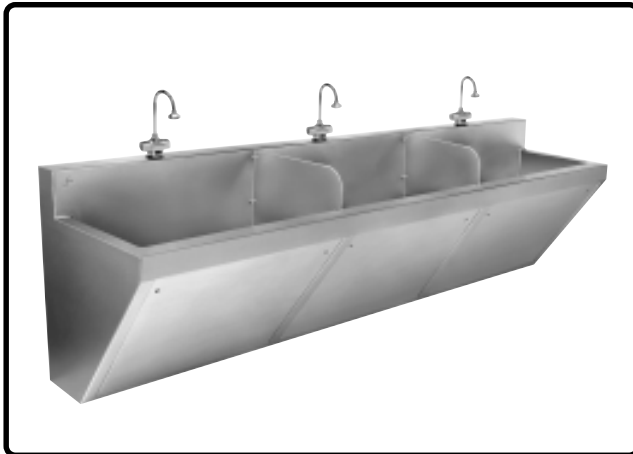




INSTITUTIONAL GROUP

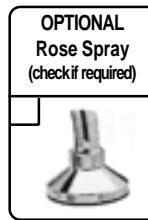
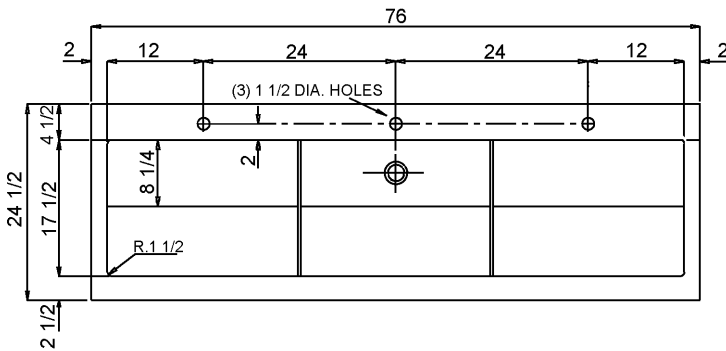
J-770-3-S

SURGEON'S WASH-UP SINK

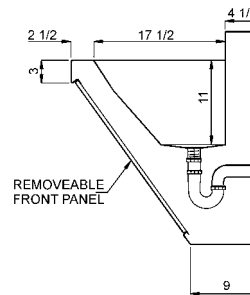
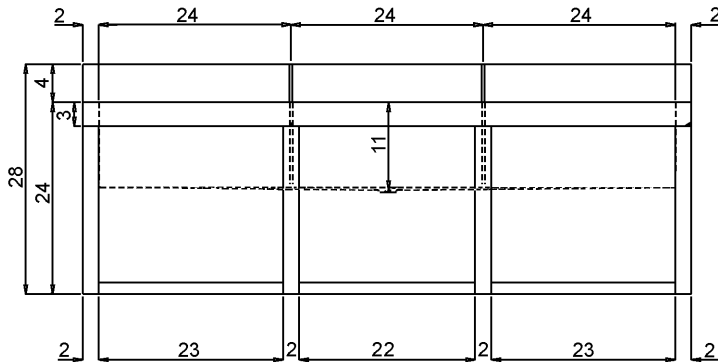


SPECIFICATION

Seamless welded construction, fabricated of 16 gauge type 304 stainless steel. Interior surfaces polished to a Hand-Blended Just Finish. Exposed exterior surfaces polished with a standard brush finish. Rear integral support bracket and 14 gauge stainless steel wall clips. Drain punch #35 centered for Just J-35-SSF drain. Includes: (3) JSGN-6M deck mounted, sensor-operated faucet with manual override and laminar flow control; (1) JTM-47 thermostatic mixing valve; (1) J-35-SSF stainless steel flat grid strainer; (1) JT-150 cast brass P-Trap, and (2) removeable plexiglass partitions.



FAUCET - Must be specified	
<input type="checkbox"/>	JSGN-6-M-AC - w/plug-in power adapter
<input type="checkbox"/>	JSGN-6-M-B - w/battery holder



JUST MFG. COMPANY CONTINUES TO MAKE QUALITY AND FUNCTIONALITY A MARK OF THE JUST PRODUCT LINE. TO DO SO REQUIRES THAT WE RESERVE THE RIGHT TO CHANGE PRODUCT INFORMATION WITHOUT NOTICE. FOR THE MOST CURRENT AND ACCURATE INFORMATION REGARDING THE COMPLETE LINE OF JUST SINKS, FAUCETS AND DRAINS, CLICK ON THE **SPEC LINE DRAWINGS** LINK ON OUR WEB SITE AT www.justmfg.com

Job Name _____

Customer _____

Architect/Engineer _____

APPROVED FOR MANUFACTURING

MODEL NO. _____ QTY. _____

COMPANY _____

TITLE _____ DATE _____

SIGNATURE _____

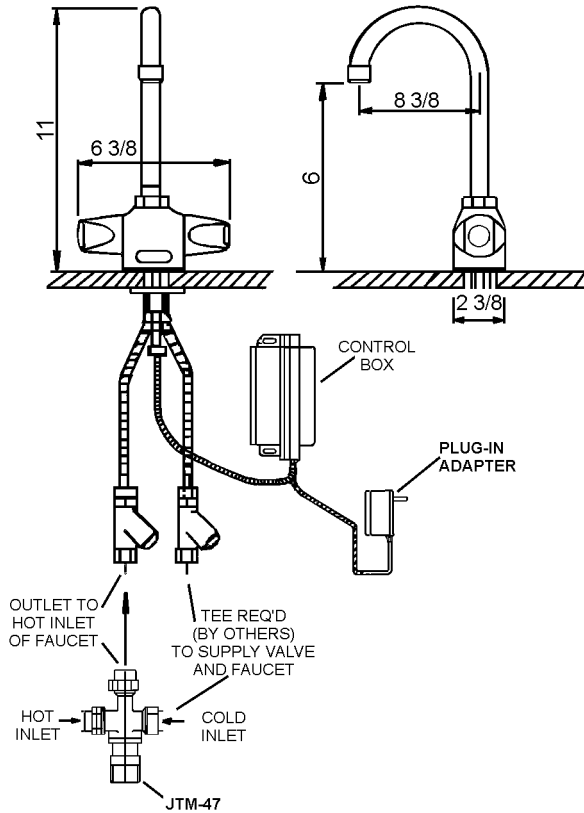
05/2004

SUBMITTAL DATA



INSTITUTIONAL GROUP

SUBMITTAL DATA



J-770-3-S

JSGN-6M-AC - Sensor Operated Faucet with Control Module

Sensor-operated deck mounted mounted gooseneck faucet. Chrome plated solid brass construction faucet body. Chrome plated spout 11" high from bottom of base (6" from base to aerator) with 8 3/8" reach. 2.0 GPM Laminar flow control.



Control module, AC powered vandal resistant with armored control/power cable. Power adapter, standard plug-in type, provides 12V DC output. Slow closing solenoid valve, piston-operated, provides reliable smooth operation without water hammer. In-line filter with clean-out trap. Sensor range adjustable from 6" to 30". Automatic time-out feature adjustable from 0(preset-active until no activity sensed) up to 60 seconds in 15 second intervals. Shut-off delay adjustable to 0, 1(preset), 2,4 or 8 seconds.

Battery powered unit available. Specifications same as above, except provides 6V DC and includes battery holder for four AA batteries in lieu of plug-in power adapter.

JTM-47 - Thermostatic Mixing Valve

Anti-Scald mixing valve with bronze body with integral check valves and adjustment cap with locking feature. 1/2" threaded union inlet and outlet connections. Temperature range from 60 to 120 F(16 C to 49 C). ASSE Standard 1016 Listed.

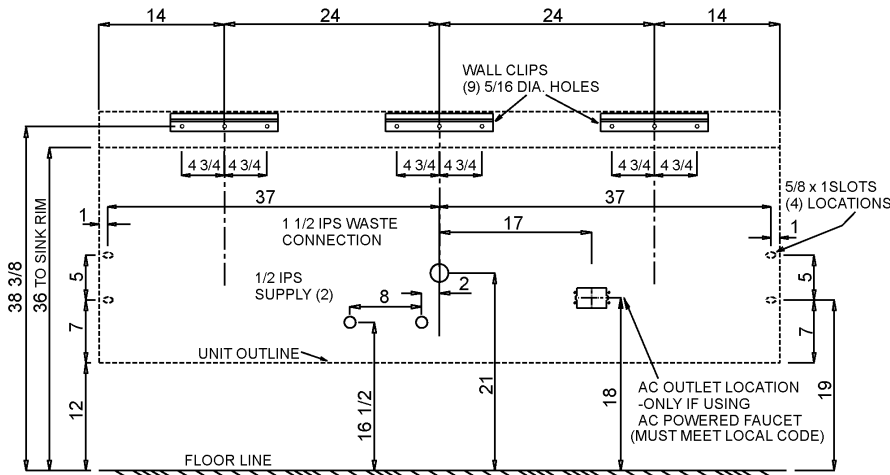
J-35-SSF Drain

Type 304 stainless steel drain body, stainless steel flat grid strainer and 1-1/2" O.D. stainless steel tailpiece, 4" long.

JT-150 P-Trap

Chrome plated cast brass 1-1/2" P-trap with cleanout. Drain pipe of 17 ga. chrome plated brass.

JUST MFG. COMPANY CONTINUES TO MAKE QUALITY AND FUNCTIONALITY A MARK OF THE JUST PRODUCT LINE. TO DO SO REQUIRES THAT WE RESERVE THE RIGHT TO CHANGE PRODUCT INFORMATION WITHOUT NOTICE. FOR THE MOST CURRENT AND ACCURATE INFORMATION REGARDING THE COMPLETE LINE OF JUST SINKS, FAUCETS AND DRAINS, CLICK ON THE **SPEC LINE DRAWINGS** LINK ON OUR WEB SITE AT www.justmfg.com



AC OUTLET MUST BE INSTALLED ACCORDING TO LOCAL CODES. INSTALLATION CONTRACTOR RESPONSIBLE FOR COMPLIANCE WITH THOSE CODES.

JUST MANUFACTURING COMPANY

9233 KING STREET, FRANKLIN PARK, ILLINOIS, 60131-2111

PH: 847-678-5150 . FAX: 847-678-6817

E-MAIL: custserv@justmfg.com . www.justmfg.com