



FAUCET GROUP

JS-48-TA1-DJ

WALL MOUNTED SINK FAUCET

SUBMITTAL DATA

FINISH

Polished chrome plate

FLOW RATE

2.2 GPM flow restricting aerator

A.D.A. COMPLIANT

Yes

VARIANTS

JS-48-TA1 = JS-48-TA1-DJ w/o spout extension



OPTIONS

HANDLES

4" Wrist Blades "W4"

6" Wrist Blades "W6"

AERATOR

Duo Stream Swivel "B"

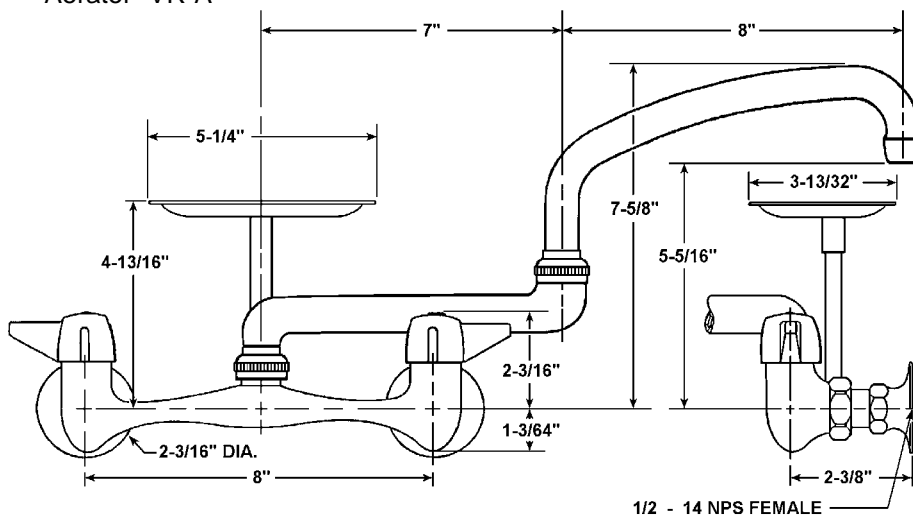
VANDAL RESISTANT

Handle "VR-H"

Aerator "VR-A"

TECHNICAL DATA CONSTRUCTION:

- Exposed wallmount on 8 inch centers
- Solid, heavy duty cast brass body
- 8" brass tube spout with cast 7" spout extension
- Brass quarter turn quick compression stem units
- Replaceable seats
- Replaceable reinforced nitrile rubber packing
- Replaceable Buna-N seat washers
- Chrome plated die cast lever handles
- Handles are indexed "H" & "C"
- Equipped with water saving aerator
- Conforms with ANSI standard 112.18.1
- Certified NSF/ANSI 61



Job Name _____	
Customer _____	
Architect/Engineer _____	
APPROVED FOR MANUFACTURING	
MODEL NO. _____	QTY. _____
COMPANY _____	
TITLE _____	DATE _____
SIGNATURE _____	

REVISED-5/2004

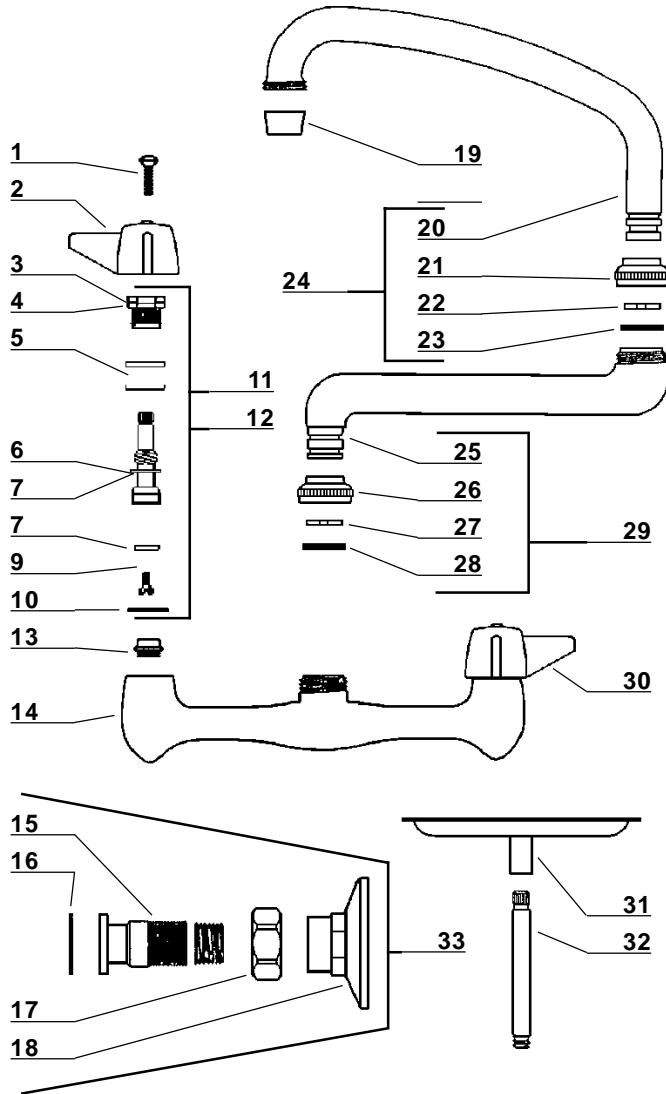
JUST MFG. COMPANY CONTINUES TO MAKE QUALITY AND FUNCTIONALITY A MARK OF THE JUST PRODUCT LINE. TO DO SO REQUIRES THAT WE RESERVE THE RIGHT TO CHANGE PRODUCT INFORMATION WITHOUT NOTICE. DIMENSIONS MAY VARY AND ARE SUBJECT TO CHANGE WITHOUT NOTICE. NO RESPONSIBILITY IS ASSUMED FOR USE OF SUPERCEDED OR VOIDED DATA. FOR THE MOST CURRENT AND ACCURATE INFORMATION REGARDING THE COMPLETE LINE OF JUST SINKS, FAUCETS AND DRAINS, CLICK ON THE SPEC LINE DRAWINGS LINK ON OUR WEB SITE AT www.justmfg.com

JUST MANUFACTURING COMPANY	
9233 KING STREET . FRANKLIN PARK . ILLINOIS . 60131-2111	
PH: 847-678-5150 . FAX: 847-678-6817	
E-MAIL: custserv@justmfg.com . www.justmfg.com	



FAUCET GROUP

WALL MOUNTED SINK FAUCET



Item No.	Part No.	Description
1	107-F	Handle Screw
2	523-H	Handle - Hot
3	454-EWC	Bonnet (Cold Side)
4	454-EWH	Bonnet (Hot Side)
5	1038-453	O-Ring
6	454-FL	Stem (Cold Side)
7	454-FR	Stem (Hot Side)
8	901-WN	Seat Washer
9	104	Seat Washer Screw
10	1028-Y	Gasket
11	SU-454-EL	Stem Sub-Unit (Cold Side)
12	SU-454-ER	Stem Sub-Unit (Hot Side)
13	263-BC	Replaceable Seat
14	2831-CP	Body
15	2846	Male Shank
16	940-TR	Rubber Washer
17	PF-2843-49	Coupling Nut
18	1146	Flange
19	30-M	Aerator
20	PF-363-RA	Spout
21	PF-782-DES	Spout Nut
22	166-F	Snap Ring
23	1038-K	O-Ring
24	SU-363-R	8" Spout Assembly
25	2775-RCP	Spout Extension
26	PF-782-DES	Spout Nut
27	166-F	Snap Ring
28	1038-K	O-Ring
29	SU-2775-R*02	7" Spout Extension Assembly
30	523-C	Handle - Cold
31	SU-259-A	Soap Dish
32	PF-285-D	Soap Dish Post
33	SU-2846	Mounting Assembly

JUST MFG. COMPANY CONTINUES TO MAKE QUALITY AND FUNCTIONALITY A MARK OF THE JUST PRODUCT LINE. TO DO SO REQUIRES THAT WE RESERVE THE RIGHT TO CHANGE PRODUCT INFORMATION WITHOUT NOTICE. DIMENSIONS MAY VARY AND ARE SUBJET TO CHANGE WITHOUT NOTICE. NO RESPONSIBILITY IS ASSUMED FOR USE OF SUPERCEDED OR VOIDED DATA. FOR THE MOST CURRENT AND ACCURATE INFORMATION REGARDING THE COMPLETE LINE OF JUST SINKS, FAUCETS AND DRAINS, CLICK ON THE **SPEC LINE DRAWINGS** LINK ON OUR WEB SITE AT www.justmfg.com

JUST MANUFACTURING COMPANY
 9233 KING STREET . FRANKLIN PARK . ILLINOIS . 60131-2111
 PH: 847-678-5150 . FAX: 847-678-6817
 E-MAIL: custserv@justmfg.com . www.justmfg.com