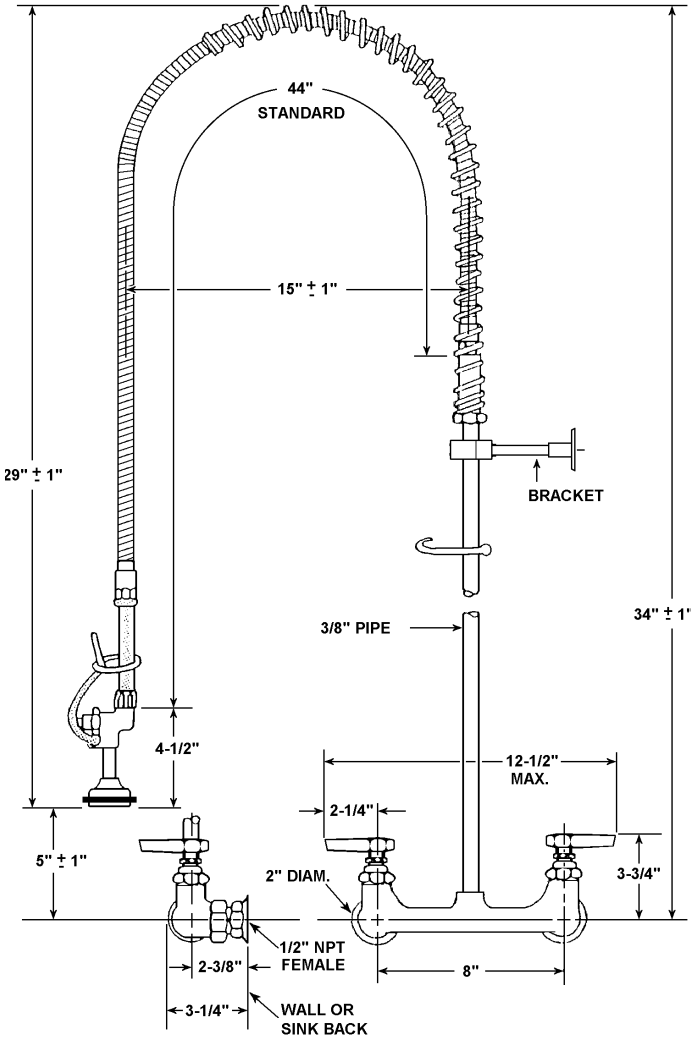




FAUCET GROUP



OPTIONS

HOSE LENGTH

Specify length

Job Name _____	
Customer _____	
Architect/Engineer _____	
APPROVED FOR MANUFACTURING	
MODEL NO. _____	QTY. _____
COMPANY _____	
TITLE _____	DATE _____
SIGNATURE _____	

REVISED-5/2004

JPR-309

PRE-RINSE UNIT

SUBMITTAL DATA



TECHNICAL DATA

CONSTRUCTION:

Exposed wall or backsplash mount on 8 inch centers
 44" stainless steel hose with rubber interior
 Brass mixing faucet has 1/2" flanged union inlets
 Integral ball checks in faucet prevents water cross flow
 Handles are fully open in less than 1/2 turn
 Wall bracket assembly for secure installation included

FINISH

Polished chrome plate

VARIANTS

None

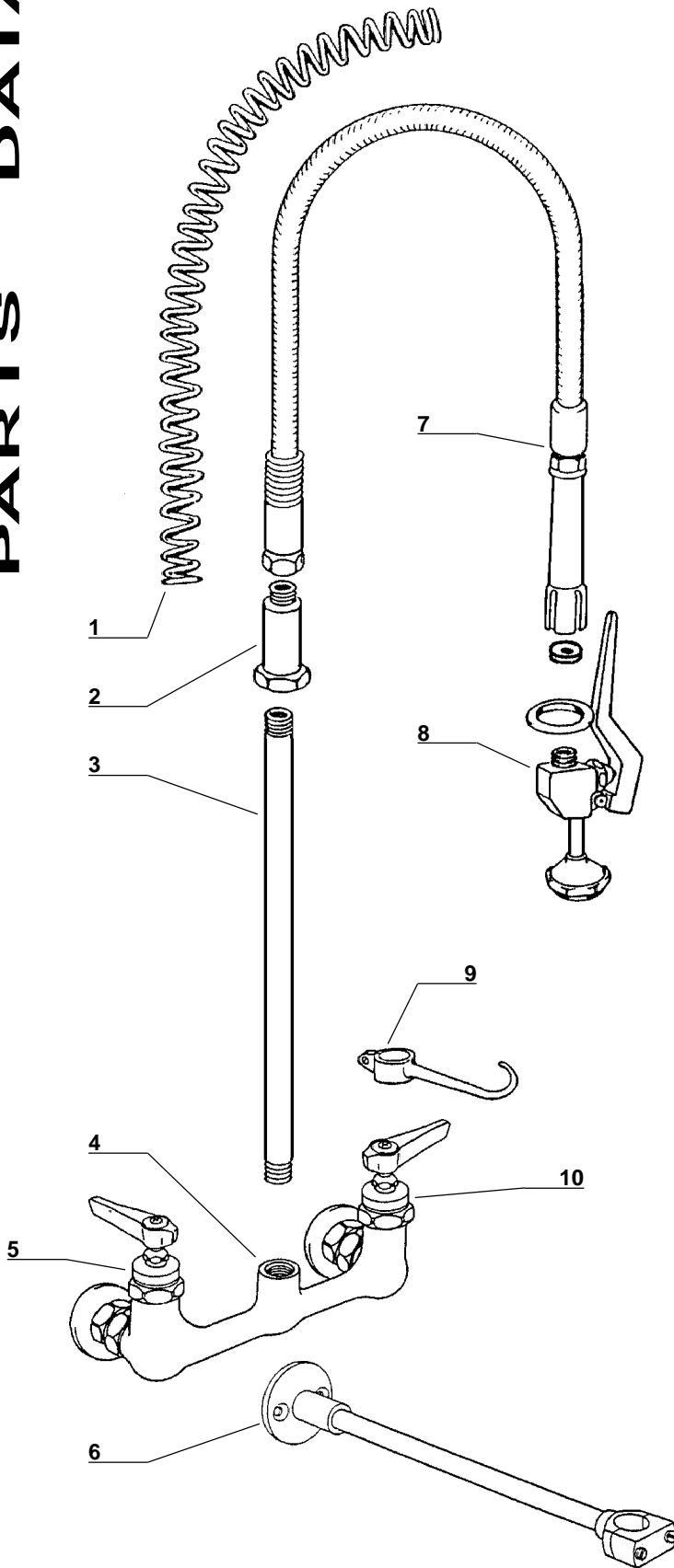
JUST MFG. COMPANY CONTINUES TO MAKE QUALITY AND FUNCTIONALITY A MARK OF THE JUST PRODUCT LINE. TO DO SO REQUIRES THAT WE RESERVE THE RIGHT TO CHANGE PRODUCT INFORMATION WITHOUT NOTICE. DIMENSIONS MAY VARY AND ARE SUBJECT TO CHANGE WITHOUT NOTICE. NO RESPONSIBILITY IS ASSUMED FOR USE OF SUPERCEDED OR VOIDED DATA. FOR THE MOST CURRENT AND ACCURATE INFORMATION REGARDING THE COMPLETE LINE OF JUST SINKS, FAUCETS AND DRAINS, CLICK ON THE *SPEC LINE DRAWINGS* LINK ON OUR WEB SITE AT www.justmfg.com

JUST MANUFACTURING COMPANY	
9233 KING STREET . FRANKLIN PARK . ILLINOIS . 60131-2111	
PH: 847-678-5150 . FAX: 847-678-6817	
E-MAIL: custserv@justmfg.com . www.justmfg.com	



FAUCET GROUP

PRE-RINSE UNIT



Item No.		
1	K50-X033	Spring
2	K50-X032	Spring Retainer
3	K50-X007	Riser (18" long)
4	K53-Y001	Inlet Assembly
5	K50-Y007	Cartridge - Hot
6	K50-Y020	Wall Bracket Assembly
7	K50-Y004	Hose Assembly (44" long)
8	K50-Y002	Pre-rinse Assembly
9	K50-Y011	Hook / Screw Assembly
10	K50-Y006	Cartridge - Cold

JUST MFG. COMPANY CONTINUES TO MAKE QUALITY AND FUNCTIONALITY A MARK OF THE JUST PRODUCT LINE. TO DO SO REQUIRES THAT WE RESERVE THE RIGHT TO CHANGE PRODUCT INFORMATION WITHOUT NOTICE. DIMENSIONS MAY VARY AND ARE SUBJECT TO CHANGE WITHOUT NOTICE. NO RESPONSIBILITY IS ASSUMED FOR USE OF SUPERCEDED OR VOIDED DATA. FOR THE MOST CURRENT AND ACCURATE INFORMATION REGARDING THE COMPLETE LINE OF JUST SINKS, FAUCETS AND DRAINS, CLICK ON THE **SPEC LINE DRAWINGS** LINK ON OUR WEB SITE AT www.justmfg.com

JUST MANUFACTURING COMPANY
 9233 KING STREET . FRANKLIN PARK . ILLINOIS . 60131-2111
 PH: 847-678-5150 . FAX: 847-678-6817
 E-MAIL: custserv@justmfg.com . www.justmfg.com