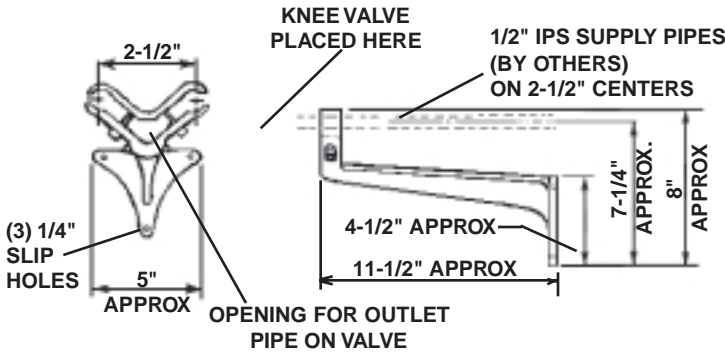
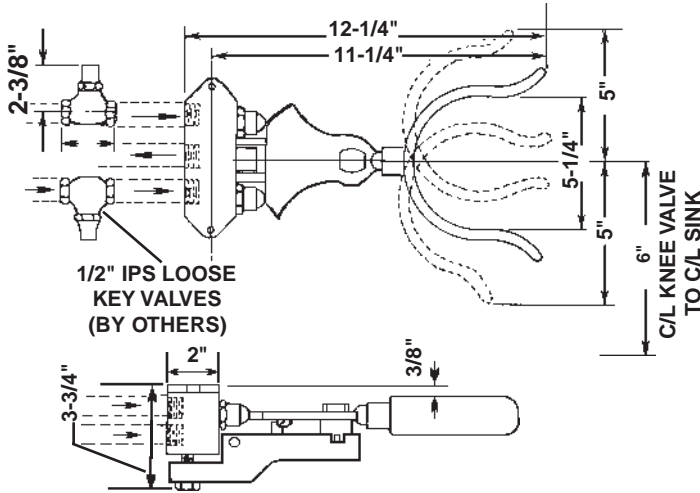


JKV-400

WALL MOUNTED KNEE VALVE

Just FAUCET GROUP

SUBMITTAL DATA



TECHNICAL DATA CONSTRUCTION:

- Wall mount
- Solid, heavy duty cast brass body
- Renewable self-closing valve unit
- Replaceable seats
- Replaceable reinforced nitrile rubber packing
- Equipped with water saving aerator
- Conforms with ANSI standard 112.18.1

FINISH

Polished chrome plate

FLOW RATE

2.2 GPM flow restricting aerator

A.D.A. COMPLIANT

No

VARIANTS



None

OPTIONS

SPOUTS

- JS-10 - Wall Mount Gooseneck Spout
- JS-20 - Deck mount Spout

Dimensions may vary and are subject to change. No responsibility is assumed for use of superseded or voided data.

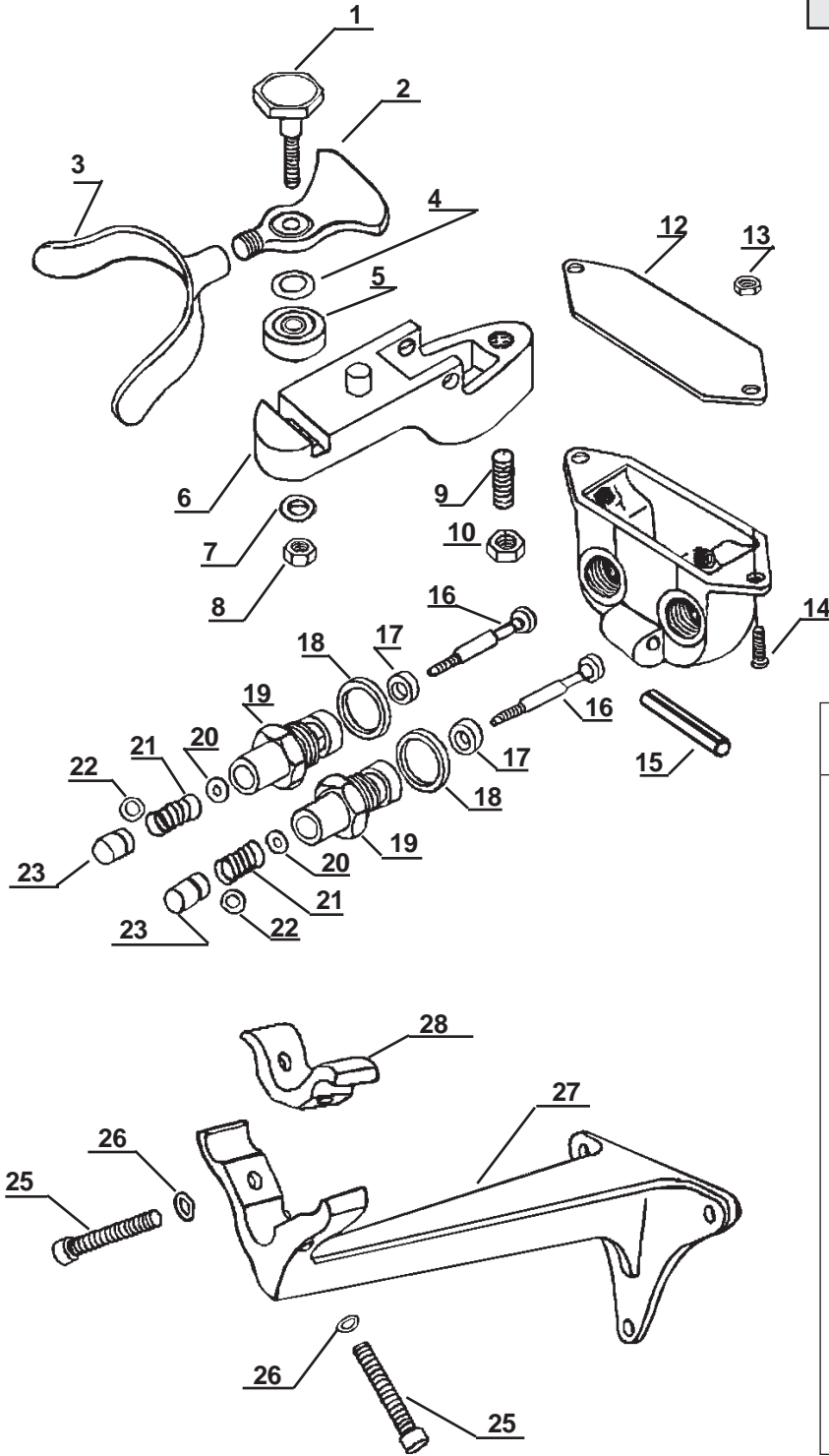
Select spout to be used	
	
JS-10 Spout	JS-20 Spout

Job Name _____
Customer _____
Architect/Engineer _____
APPROVED FOR MANUFACTURING
MODEL NO. _____ QTY. _____
COMPANY _____
TITLE _____ DATE _____
SIGNATURE _____

Just MANUFACTURING COMPANY
9233 KING STREET, FRANKLIN PARK, ILLINOIS 60131
PHONE: (847) 678-5150 FAX: (847) 678-6817

Just FAUCET GROUP

WALL MOUNTED KNEE VALVE



Item No.	Part No.	Description
1	630-40	Bolt
2	123-40	Cam
3	125-40	Stirrup
4	1060-45	"O" Ring
5	738-40	Bushing
6	124-40	Cantilever
7	977-45	Star Washer
8	964-45	Locknut
9	1123-45	Screw
10	952-25	Locknut
11		
12	1253-45	Cover Plate
13	951-45	Nut ^A
14	919-45	Screw ^A
15	1310-45	Roll pin
16	842-20	Stem
17	1084-45	Seat washer ^B
18	1040-45	Binding washer ^B
19	1525-25	Bonnet ^B
20	974-45	Brass washer ^B
21	892-45	Spring ^B
22	1075-45	"O" Ring ^B
23	534-20	Button ^B
25	943-45	Screw
26	989-25	Washer
27	235-28	Wall support
28	236-28	Bracket

^A - Requires 2 .

^B - One required each for hot and cold.

Stem Assembly - (Cold) - KVSC - (Items 16 thru 23)
 Stem Assembly - (Hot) - KVSH - (Items 16 thru 23)

FUNCTIONAL DESIGN, QUALITY, AND SPECIFICATIONS LISTED DESCRIBE THE **JUST** STANDARD OF QUALITY. WHEN MAKING COMPARISONS WITH OTHER OFFERINGS, INSIST ON THE **JUST** QUALITY OF CONSTRUCTION.

Just MANUFACTURING COMPANY
 9233 KING STREET, FRANKLIN PARK, ILLINOIS 60131
 PHONE: (847) 678-5150 FAX: (847) 678-6817